

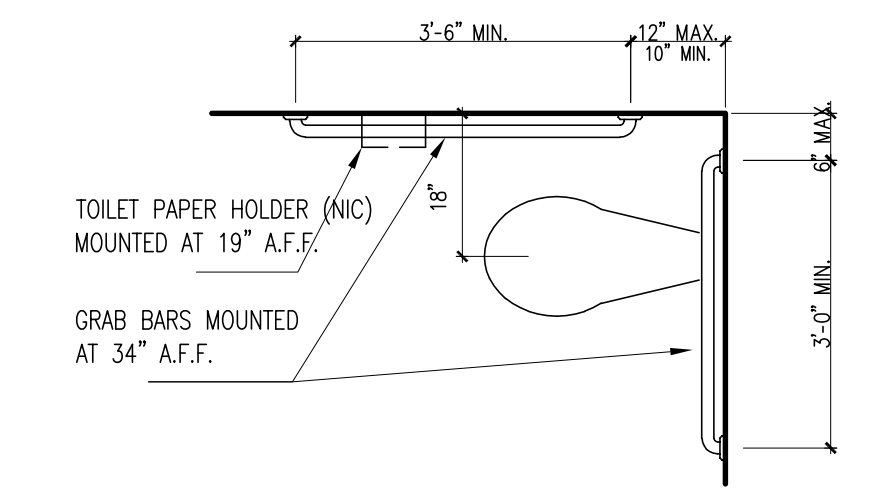
KITCHEN EQUIPMENT SCHEDULE

ITEM #	QUAN.	DESCRIPTION
K-1	1	SINK, THREE COMPARTMENT
K-2	2	FRYER
K-3	1	WORK TABLE (24" X 36")
K-4	1	RANGE, 4 BURNER
K-5	1	EXHAUST HOOD - BY MECHANICAL
K-6	3	REACH IN COOLER/WARMER - BY OWNER
K-7	9	DRINK COOLER - BY OWNER
K-8	3	REACH IN FREEZER - BY OWNER
K-9	1	POP CORN POPPER - BY OWNER
K-10	8	SERVING COUNTER WITH MONEY TRAY
K-11	4	SERVING COUNTER

TOILET ACCESSORY SCHEDULE

MARK	DESCRIPTION	MOUNTING HEIGHT
GB-36	GRAB BAR - 36"	34" A.F.F. TO CENTERLINE
GB-42	GRAB BAR - 42"	34" A.F.F. TO CENTERLINE
M	MIRROR (24"x36" UNLESS NOTED OTHERWISE)	40" A.F.F. TO BOTTOM OF REFLECTIVE SURFACE
LAV	LAVATORY	34" A.F.F. TO TOP
HCWC	H.C. WATER CLOSET	17" A.F.F. TO SEAT
CH	COAT HOOK	54" A.F.F.

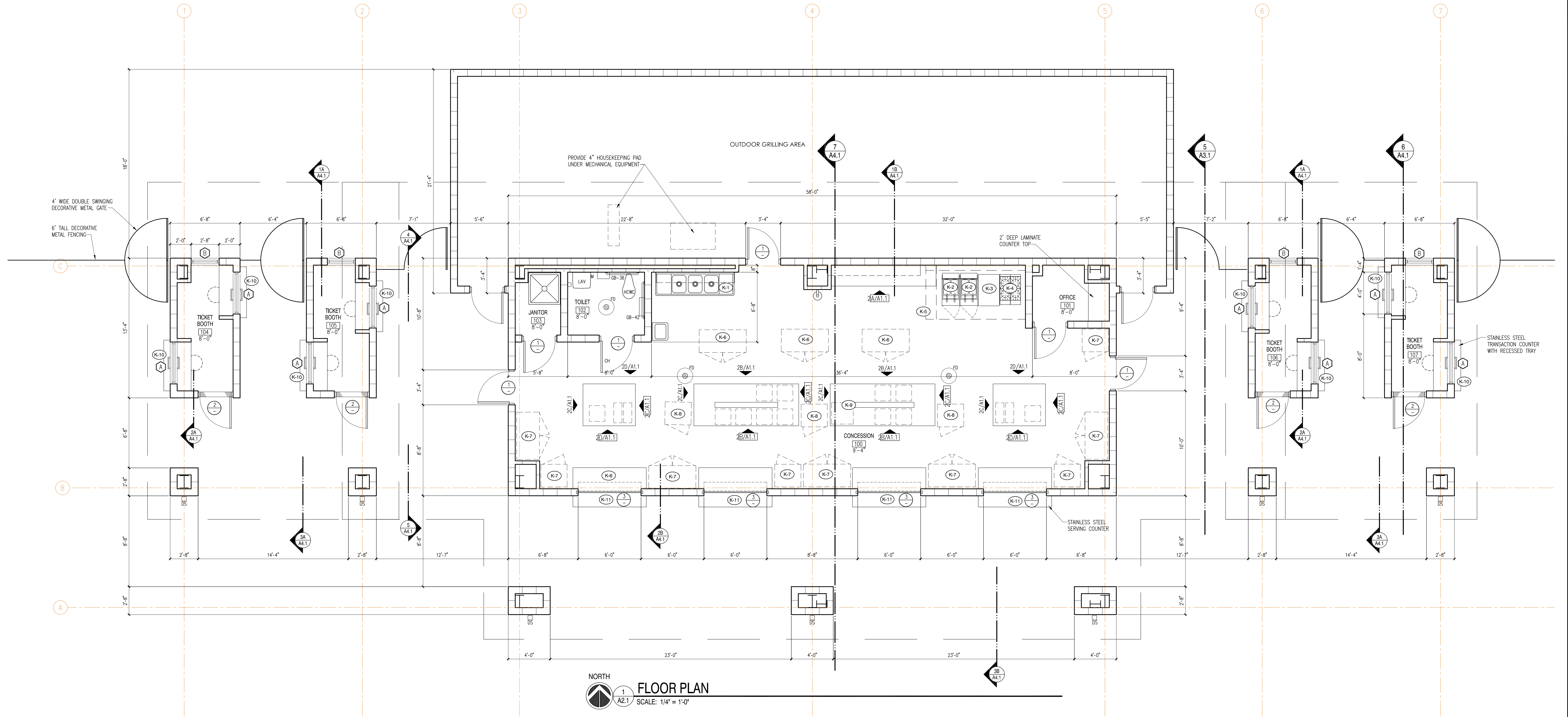
TOILET PAPER AND SOAP DISPENSERS ARE TO BE PROVIDED BY THE OWNER. TOILET PAPER DISPENSER ARE TO BE INSTALLED NO LOWER THAN 19" AFF IN ADULT LOCATIONS AND 17" AFF IN CHILD LOCATIONS. THE OPERATION AND SPIGOT PORTION OF SOAP DISPENSERS SHALL BE INSTALLED AT 44" AFF. CONTRACTOR TO COORDINATE AND VERIFY.



TOILET STALL PARTIAL PLAN
SCALE: 1/2" = 1'-0"

GENERAL NOTES

- SEE DESIGN DATA ON SHEET T1.1 FOR CLARIFICATION OF CONSTRUCTION TYPE AND FIRE PROTECTION REQUIREMENTS AND METHODS.
- INTERIOR CONCRETE BLOCK WALLS SHALL BE 8" CONCRETE BLOCK, UNLESS NOTED OTHERWISE (4" CONCRETE BLOCK AT CHASE WALLS AND COLUMN FURRING). SEE STRUCTURAL DRAWINGS FOR ALL REINFORCING AND LINTEL REQUIREMENTS.
- ALL DOORS NOT DIMENSIONED SHALL BE LOCATED ADJACENT TO INTERSECTING WALLS, OR 8" FROM INTERSECTING WALLS.
- ALL COLUMN FURRING SHALL BE HELD TIGHT TO STRUCTURE FOR MINIMUM SIZE. USE 4" CONCRETE BLOCK TYPICAL UNLESS NOTED OTHERWISE.
- FIELD VERIFY ALL DIMENSIONS FOR MILLWORK, FURNITURE, HANDRAILS, EQUIPMENT, ETC. PRIOR TO FABRICATION AND INSTALLATION.
- PROVIDE HOUSEKEEPING PADS FOR ELECTRICAL AND MECHANICAL EQUIPMENT. VERIFY SIZE AND LOCATION WITH ELECTRICAL, PLUMBING AND HVAC INSTALLERS AND MANUFACTURERS.
- ALL EQUIPMENT, FURNITURE, ETC. SHOWN AS DASHED IS N.I.C.



NORTH
FLOOR PLAN
SCALE: 1/4" = 1'-0"