



AGENDA ITEM HISTORY SHEET

ITEM TITLE

Approval to Purchase Rosenbauer 101' King Cobra Ladder Truck

AGENDA NO. 6**AGENDA DATE:** 9/17/2024

FUNDING CERTIFICATION (Finance Director) (Signature, if applicable)

MANAGEMENT STAFF REVIEW (Signature)

MAYOR (Signature)

ITEM HISTORY (Previous Council reviews, action related to this item, and other pertinent history)

Discussed during the July Pre-Council Workshop on July 23, 2024.

ITEM COMMENTARY (Background discussion, key points, recommendations, etc.) Please identify any or all impacts this proposed action would have on the City budget, personnel resources, and/or residents.

The cost of this ladder truck, with equipment, is \$2 million. This purchase will replace our 2007 E-One Bronto Ladder Truck. This request is approximately 2 years ahead of our replacement schedule due to multiple maintenance issues with our 2007 Ladder Truck and the difficulty of finding parts to repair it. We currently have a \$2,500 agreement with the manufacturer to hold this truck, a Rosenbauer 101' King Cobra Ladder Truck. This agreement expires on September 22, 2024. It is scheduled for completion in February of 2026. Other options for replacing our 2007 Bronto Ladder Truck will be at least 30-40 months completion.

(This section to be completed by the Mayor)

ACTION PROPOSED (Motion for Consideration)

Motion to approve the purchase of Rosenbauer 101' King Cobra Ladder Truck



MEMO INVOICE		
INVOICE #	DATE	PG
72324	7/23/2024	1

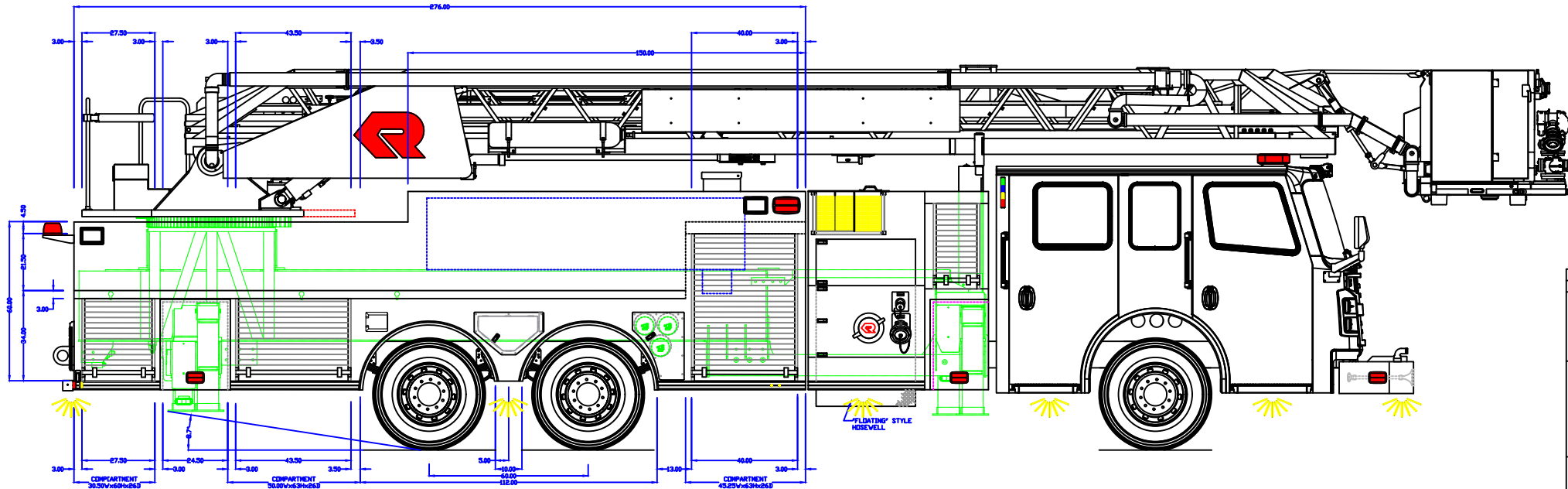
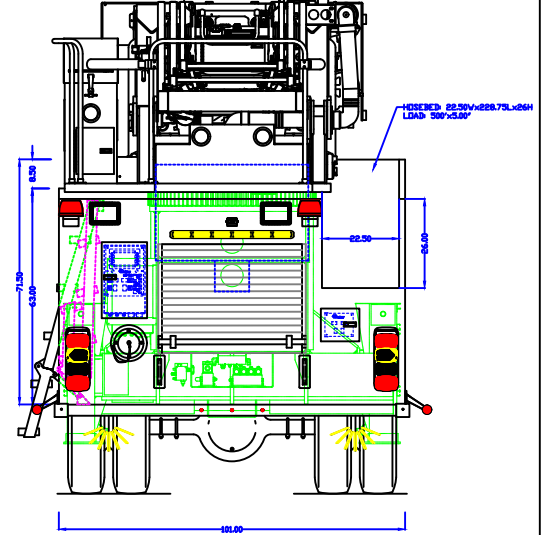
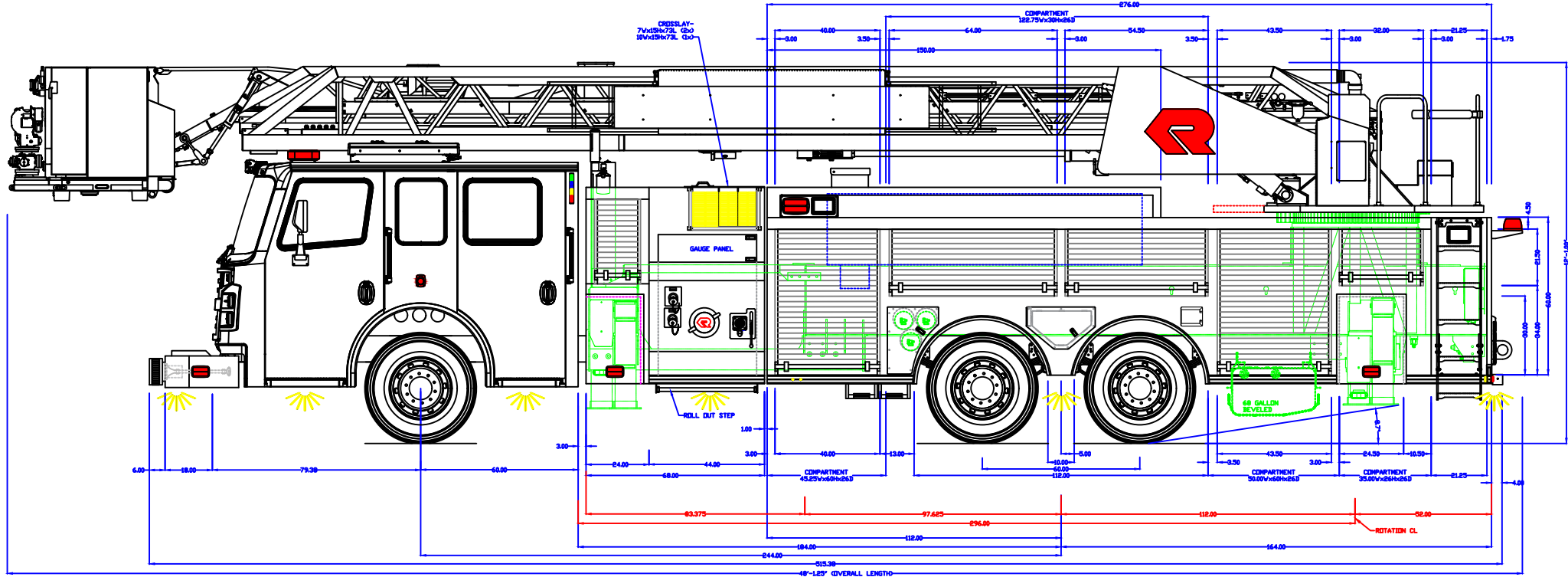
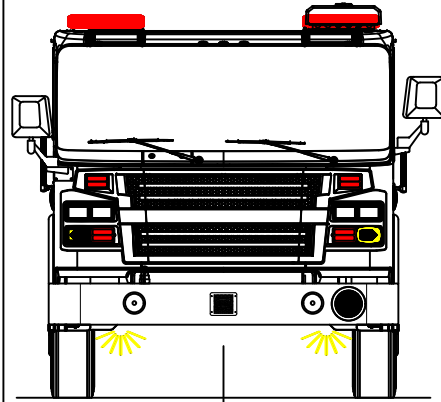
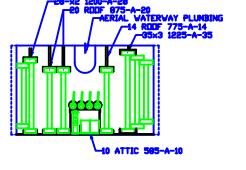
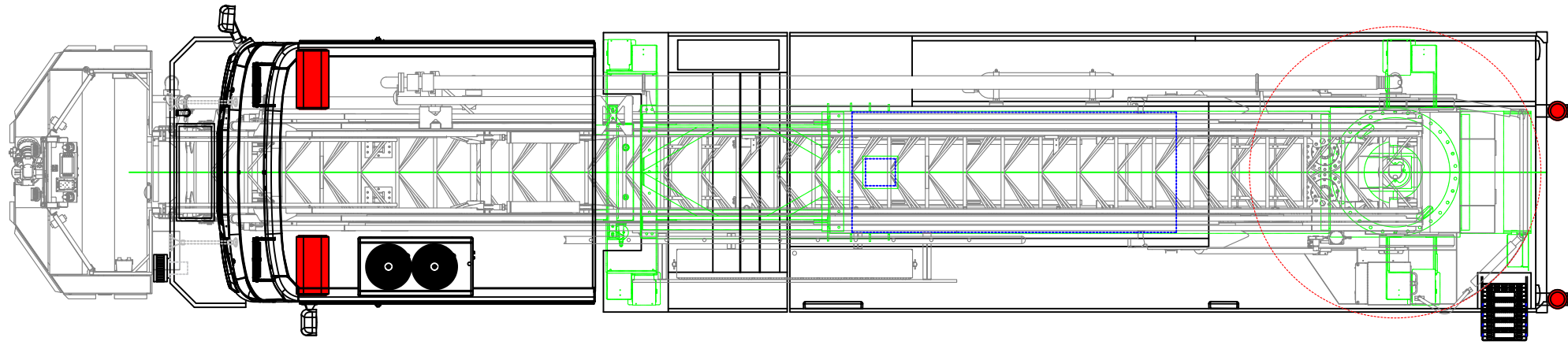
ROSENBAUER SOUTH DAKOTA, LLC
 100 Third Street • Lyons, SD 57041-0057
 Phone: (605) 543-5591 • Fax: (605) 543-5074

SOLD TO:
 City of Bryant Fire Department
 Attn: Chief Brandon Futch
 312 Roya Lane
 Bryant, AR 72022

CUST ID	SALES PERSON	PURCHASE ORDER	TERMS	JOB NUMBER
BRYAAR	MIKE H	HOLD-7734	NET 60	7734

ORDERED	QUANTITY SHIPPED	DESCRIPTION	UNIT PRICE	AMOUNT
1.00	1.00	Hold for Stock Aerial (Job# 7734)	\$2,500.00	\$2,500.00
				\$0.00
		For Bryant Fire Department		\$0.00
				\$0.00
		Payment will be due September 22, 2024 if stock aerial is not sold.		\$0.00
			SALES AMT	\$2,500.00
			FREIGHT	\$0.00
			STATE TAX	\$0.00
			CITY TAX	\$0.00
			TOTAL	\$2,500.00

- NOTES:
1. OVERALL HEIGHT IS IN LOADED CONDITION. UNLOADED HEIGHTS MAY BE 4" ABOVE HEIGHTS SHOWN.
 2. DO NOT SCALE DRAWING.
 3. ALL DIMENSIONS ARE APPROXIMATE AND SUBJECT TO ENGINEERING CHANGES.
 4. DRAWING MAY OR MAY NOT SHOW ALL ITEMS AS DESCRIBED IN THE WRITTEN DETAIL SPECIFICATIONS.
 5. INCLUSION OF AN ITEM ON THE DRAWING DOES NOT CONSTITUTE INCLUSION OF THAT ITEM WITH THE FINAL DELIVERED UNIT.
 6. THE EFFECTIVE DOOR OPENINGS WILL BE APPROX. 2" LESS THAN THE NOTED COMPARTMENT OPENING FOR ROLL UP DOORS AND UP TO APPROX. 4" LESS FOR HINGED DOORS



APPROVED BY:

CHASSIS:	COMMANDER 6000
PUMP:	WATEROUS 2000 GPM
TANK:	POLY/500/20(FOAM)
PANEL MATL:	LINE-X
COMP INTERIOR:	SPATTER COAT
MAXIMUM HEIGHT	NONE
MAXIMUM LENGTH	NONE
BODY WIDTH	101"

REV: 1 BPC DATE: 01-16-24
 DRAWN: BPC DATE: 11-17-23

PROPRIETARY AND CONFIDENTIAL
 THE INFORMATION CONTAINED IN THIS DRAWING IS THE SOLE PROPERTY OF ROSENBAUER. ANY REPRODUCTION IN PART OR AS A WHOLE WITHOUT THE WRITTEN PERMISSION OF ROSENBAUER IS PROHIBITED.

STOCK
101' KING COBRA

rosenbauer ROSENBAUER FX 3/16"
 DRAWING NUMBER: 470-D REV: 1