



Arkansas Department of Health
Environmental Health Protection

MAY 08 2024

Receipt Number
24732214

Individual Onsite Wastewater System Permit Application

Permit Type New Installation
 Alteration / Repair

DR Environmental ID #

A D H 1 4 1 1 4 5 6 8

Fee Schedule for Structures		√
Structures 1500 sq ft or less	\$ 30.00	<input type="checkbox"/>
Structures more than 1500 sq ft and up to 2000 sq ft	\$ 45.00	<input checked="" type="checkbox"/>
Structures more than 2000 sq ft and up to 3000 sq ft	\$ 90.00	<input type="checkbox"/>
Structures more than 3000 sq ft and up to 4000 sq ft	\$120.00	<input type="checkbox"/>
Structures more than 4000 sq ft	\$150.00	<input type="checkbox"/>
Alteration and Repair	\$ 30.00	<input type="checkbox"/>

Part 1 Application Treatment Type (check one) Disposal Method (check one)

<input checked="" type="checkbox"/> STD = Standard Septic Tank	<input type="checkbox"/> ATU = Aerobic Treatment Plant	<input checked="" type="checkbox"/> STD = Standard Absorption Field	<input type="checkbox"/> LPD = Low Pressure Distribution
<input type="checkbox"/> ISF = Intermittent Sand Filter	<input type="checkbox"/> RSF = Re-circulating Sand Filter	<input type="checkbox"/> SUR = Surface Discharge	<input type="checkbox"/> HLD = Holding Tank
<input type="checkbox"/> PMF = Proprietary Media Filter	<input type="checkbox"/> RGF = Re-circulating Gravel Filter	<input type="checkbox"/> CPF = Capping Fill	<input type="checkbox"/> SRL = Serial Distribution
<input type="checkbox"/> OTH = Other (Describe)	<input type="checkbox"/> HLD = Holding Tank	<input type="checkbox"/> OTH = Other	<input type="checkbox"/> DRP = Drip Irrigation

1. Owner's/Applicant's Name: Daniel Garver
2. Phone Number: (501) 672-6098

3. Mailing Address: 37 Summerwood Cove, Benton, AR 72019
4. County: Saline

5. Address of Proposed System (If a 911 address is not available, attach detailed directions or map):
Next to 500 Glenn Hill Drive, Alexander, AR 72002

6. Subdivision Name: Glennwood Estates
7. Approval Date: 1989
8. Date Recorded: 1989
9. Lot Number: 6

10. Lot Dimensions: 643' x 425' x 711' x 711'
11. Total Area (Acres): 9.30
12. # Bedrooms # People: 3
13. Daily Flow (GPD): 370

14. Brief Legal Description of Property (Attach a separate sheet of paper, if necessary):
Sectio 10, Township 1 South, Range 14 West, Saline County

15. Water Supply (Specify supplier, if Public Water): Water Users LLC.
16. GPS Coordinates: 34.65219, -92.49003 34.65227, -92.49000

17. Loading Rates	(gpd/ft ²)	18. System Specifications					
Primary Area	0.75	a. Size of Septic Tank	1000	gal	f. Trench Depth	18	inches
Secondary Area	0.75	b. Size of Dose Tank	n/a	gal	g. Trench Spacing	10	feet
Percolation Test	(min/in)	c. Absorption Area	494	ft ²	h. Trench Media (List Below)		i. Trench Width
Primary Area Avg	n/a	d. Number of Field Lines	3		EZ Flow 1201, EQ-24 Cham.		18 in
Secondary Area	n/a	e. Length of Field Lines	90	ft	Rock & Pipe		24 in

TO THE OWNER
The permit for construction may be deemed invalid by the local Environmental Health Specialist before the start of construction, if the site and/or soil conditions have changed after approval of this permit, or if the information within this permit is inaccurate or has been found to be misrepresented. Approval for operation does not constitute a guarantee that the system will function properly. The approval states that the system was designed and installed according to the Arkansas Department of Health, Rules and Regulations Pertaining to Onsite Wastewater Systems, unless there are exceptions or deviations noted in the comments. A Permit for Construction is valid for one (1) year from the date of approval. The authorized agent must revalidate a permit more than one (1) year old prior to the start of any construction.

19. Utilization Verification
I hereby attest that item 12, the number of bedrooms (number of persons for commercial) and square footage of the structure that will utilize the designed individual onsite wastewater system in this permit application, is accurate. I have reviewed the permit application and understand the layout, installation, maintenance, operation and expense(s) that may be associated with this system.

Owner/Applicant Signature: See Opt. A Date: 04/09/2024

20. I certify that I have conducted the above tests and that the above listed information is in accordance with the latest requirements of the Arkansas Department of Health Rules and Regulations Pertaining to Onsite Wastewater Systems.

Designated Representative Signature: [Signature] Designated Representative Title: [Blank] Soil Certified Yes No

Designated Representative Signature: Kyle A. Gaston Title: [Blank] Date: 04/19/2024 Phone Number: 501-821-3837

21. Approval of Health Authority
The information and specifications in the application has been reviewed and found to meet the requirements of the Arkansas Department of Health Rules and Regulations Pertaining To Onsite Wastewater Systems. A PERMIT FOR CONSTRUCTION is hereby issued.

Environmental Specialist Signature: [Signature] EHS Number: 138 Date: 5/28/24

NOTE TO INSTALLER:
CONTACT EHS AT 501-303-5650
24 HOURS PRIOR TO
BEGINNING INSTALLATION

Individual Onsite Wastewater System Permit Application

Receipt Number

Continue Part 1

22. Soil Criteria (Primary Area)								Indicate the depth to items a-f, if observed in the soil (designate in inches)							
a. Bedrock	b. BSWT	c. MSWT	d. LSWT	e. Adj. MSWT	f. Adj. LSWT	g. H.C./Depth	h. Loading Rate (gpd/ft ²)	a. Bedrock	b. BSWT	c. MSWT	d. LSWT	e. Adj. MSWT	f. Adj. LSWT	g. H.C./Depth	h. Loading Rate (gpd/ft ²)
44"	21"	32"	Not Obsv	29"	n/a	Mod/44"	0.75 (10' Centers)	46"	22"	32"	Not Obsv	29"	n/a	Mod/46"	0.75 (10' Centers)
23. Soil Criteria (Secondary Area)								Indicate the depth to items a-f, if observed in the soil (designate inches)							
a. Bedrock	b. BSWT	c. MSWT	d. LSWT	e. Adj. MSWT	f. Adj. LSWT	g. H.C./Depth	h. Loading Rate (gpd/ft ²)	a. Bedrock	b. BSWT	c. MSWT	d. LSWT	e. Adj. MSWT	f. Adj. LSWT	g. H.C./Depth	h. Loading Rate (gpd/ft ²)
46"	22"	32"	Not Obsv	29"	n/a	Mod/46"	0.75 (10' Centers)	46"	22"	32"	Not Obsv	29"	n/a	Mod/46"	0.75 (10' Centers)
24. Seasonal Water Table (SWT) Classes Detail															
Primary Area				List Redoximorphic Features and/or Clay Content Restrictions											
Brief	in	Depletions noted on 20% or less of ped surface or interior. Depletion chroma >= chroma 3.													
Moderate	in	Depletions noted on less than 50% of ped surface or interior. Depletion <= chroma 2.													
Long	in	Not Observed													
Secondary Area				List Redoximorphic Features and/or Clay Content Restrictions											
Brief	in	Depletions noted on 20% or less of ped surface or interior. Depletion chroma >= chroma 3.													
Moderate	in	Depletions noted on less than 50% of ped surface or interior. Depletion <= chroma 2.													
Long	in	Not Observed													
Comments															
One Call before installation. Install in dry conditions. If system is not installed within a year of the date approved, a revalidation fee may be required. Permit may become void, if a disposal site has been altered.															

Part 2 Installation Inspection

Septic tank manufacturer				Pump information			
Septic tank material				Trench media and width			
Dose tank manufacturer				Depth of interceptor drain			
Dose tank material				Depth of settled fill			
Name of Installer						License Number	
Installation Inspected by <input type="checkbox"/> Environmental Health Specialist <input type="checkbox"/> Designated Representative (check one or installer signs System Installation Verification below)							
Signature		EHS / License Number		Date			
System Installation Verification							
I have installed this system as designed and in compliance with all Rules and Regulations Pertaining to Onsite Wastewater Systems.							
Installer Signature		License Number		Date			

Part 3 Permit for Operation

The information contained in Part 1 and 2 of this form has been reviewed and found to meet the requirements of the Arkansas Department of Health. THE PERMIT FOR OPERATION of this system is hereby issued.							
Environmental Health Specialist		Signature		EHS Number		Date	
Comments							
Site Revalidation conducted by <input type="checkbox"/> Environmental Health Specialist <input type="checkbox"/> Designated Representative (check one)							
Signature		EHS / License Number		Date			

* Optional System Utilization Verification Form



Arkansas Department of Health
Environmental Health Protection

Receipt Number

Individual Onsite Wastewater System Permit Application

Permit Type New Installation
 Alteration / Repair

DR Environmental ID #

A D H 1 4 1 1 4 5 6 8

Homeowner

Builder/Developer

Fee Schedule for Structures	√
Structures 1500 sq ft or less \$ 30.00	<input type="checkbox"/>
Structures more than 1500 sq ft and up to 2000 sq ft \$ 45.00	<input checked="" type="checkbox"/>
Structures more than 2000 sq ft and up to 3000 sq ft \$ 90.00	<input type="checkbox"/>
Structures more than 3000 sq ft and up to 4000 sq ft \$ 120.00	<input type="checkbox"/>
Structures more than 4000 sq ft \$ 150.00	<input type="checkbox"/>
Alteration and Repair \$ 30.00	<input type="checkbox"/>

TO THE PROPERTY OWNER

Onsite Wastewater System Utilization Verification

Property location: Next to 500 Glenn Hill Drive, Alexander, AR 72002
(Address of Proposed System, City, State, Zip)

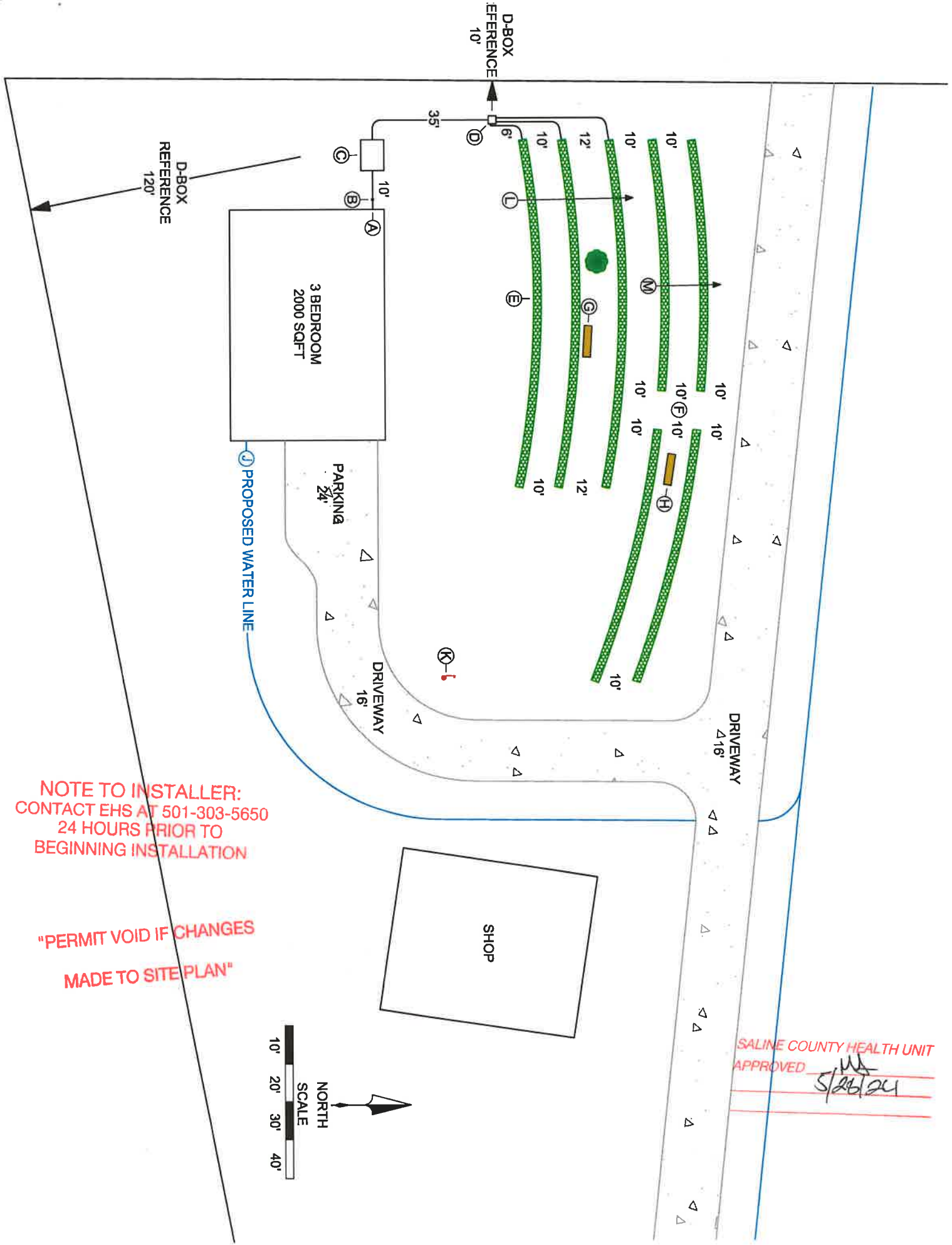
I hereby attest there are 3 bedrooms (___ number of persons for commercial) and the square footage of the structure that will utilize the designed onsite wastewater system in this permit application is accurate. I have reviewed the permit application and understand the layout, installation, maintenance, operation and expense(s) that may be associated with this system.

As Developer/Builder, I hereby attest that the above information is correct and prior to the sale of the property, I will convey, to the buyer, all information associated with this system.

Owner/Applicant Signature 

Date 09 APR 24 04/09/2024

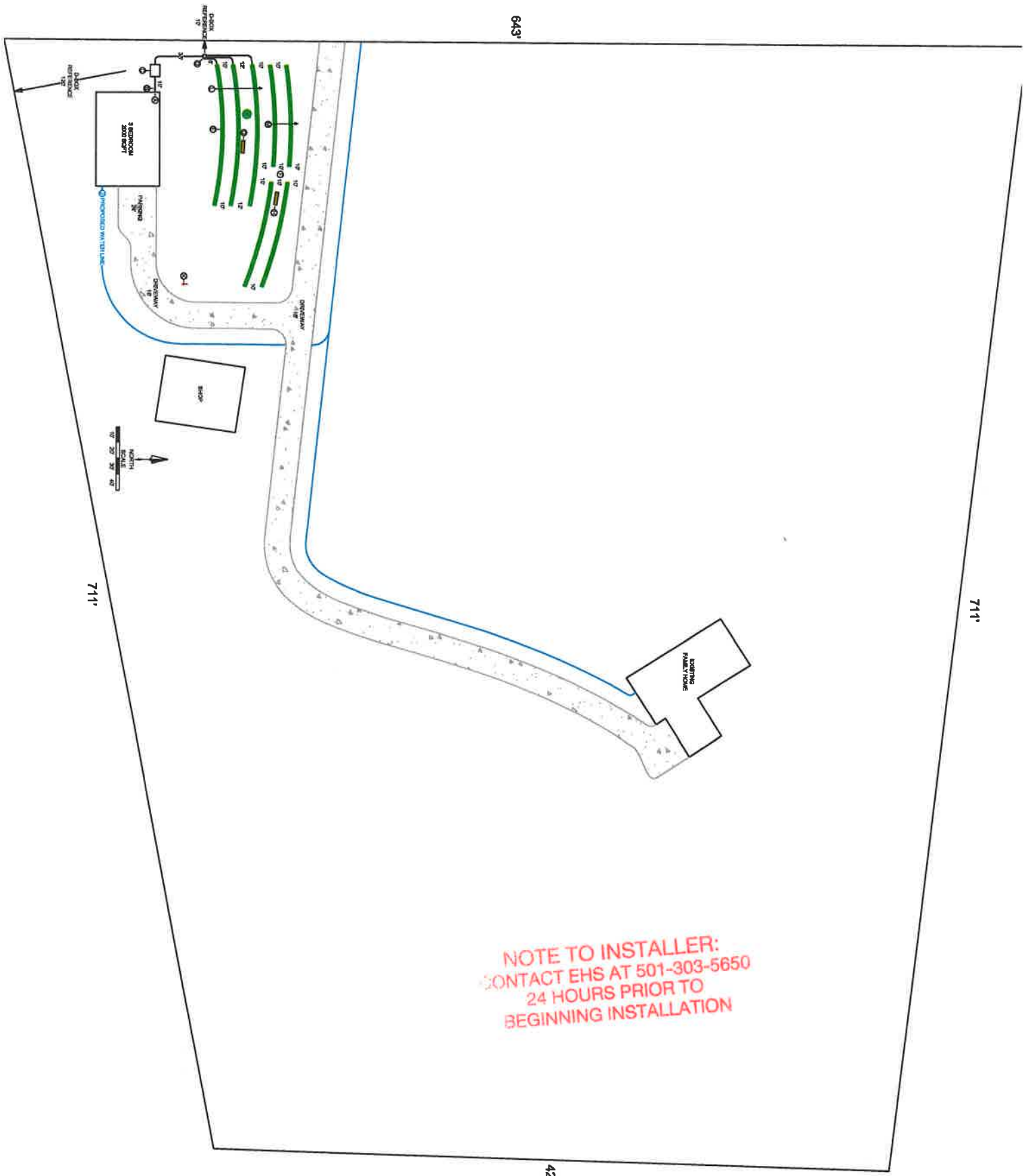
This document must be submitted with the permit application, if the Owner/Applicant Signature Section (number 19 on the EHP-19) is not signed.



NOTE TO INSTALLER:
 CONTACT EHS AT 501-303-5650
 24 HOURS PRIOR TO
 BEGINNING INSTALLATION

**"PERMIT VOID IF CHANGES
 MADE TO SITE PLAN"**

**SALINE COUNTY HEALTH UNIT
 APPROVED**
 [Signature]
 5/26/24



643'

711'

711'

NOTE TO INSTALLER:
 CONTACT EHS AT 501-303-5650
 24 HOURS PRIOR TO
 BEGINNING INSTALLATION

425'



References are found in the Arkansas State Board of Health Rules and Regulations Pertaining to Onsite Wastewater Systems Effective 12/1/2014.

LEGEND TO AutoCAD DRAWING

- A Sewer stub out location. Maximum depth of flow line from existing grade is 24" (Reference Appendix F). Show this drawing to your plumber.
- B 2-way clean out location. Sewer popper required. Install clean out and sewer popper at or above grade. (Reference 8.13) Fall to inlet of septic tank can be no less than 1/8" per foot, and no more than 1/4" per foot (Reference 4.1).
- C Septic tank location. Risers to grade over inlet and outlet, minimum 18" diameter (Reference 10.7.8). Effluent filter required – Orenco Filter FTS0436-28 (Reference 10.7.6). Bed and backfill septic tank with 3/4" or smaller gravel (Reference 10.4). Septic tank must meet or exceed manufacturer requirements, 5000 psi, aged 28 days minimum (Reference 10.7.3 – 10.7.5.1).
- D Distribution box location. Tuff Tite 7-hole. Pipe seals and dial-a-flow levelers required. Bed and backfill distribution box with 3/4" or smaller gravel (Reference 8.10.4).
- E Primary disposal site location. Install field lines on contour (Reference 8.10 – 8.14).
- F Secondary disposal site location.
- G Primary pit location.
- H Secondary pit location.
- I Soil pit location, if applicable. Not used due to shallow seasonal water tables or contour issues.
- J Proposed water line. Water line must be installed 10' from any part of wastewater system (Reference 6.2.8).
- K Benchmark location.
- L Primary disposal site slope. 16%
- M Secondary disposal site slope. 16%

PIPE SPECIFICATIONS

House stub out to septic tank inlet: 4" Schedule 40 pipe.

Septic tank outlet to distribution box: 4" Schedule 40 pipe.

Distribution box outlets to field lines: 4" SDR-35 solid pipe.

Trench Media: EZ Flow 1201, EQ-24 Chambers or Rock & Pipe (1/4" - 1 1/2" washed gravel & 4" SDR-35 perforated pipe)

TANK SPECIFICATION

Whitten 1000 Gallon Septic Tank

EFFLUENT STRENGTH

Biochemical oxygen demand < 300 mg/L

Total suspended solids < 300 mg/L

Fats, oil, and grease < 25 mg/L

(Reference 9.41 and Appendix B, Footnotes)

Any changes or substitutions to the notes and specifications in this permit must be approved by the Designated Representative.



GROUND AND INSTALLED ELEVATIONS (feet & inches)

Component	Ground	Flow Line	Fall	
Stub Out	03-02"	05-02"	24"	
Inlet	03-02"	05-06"	4"	
Outlet	03-02"	05-09"	3"	
D-box	07-00"	07-08"	23"	
				Line Length
Line 1	07-10"	09-04"	18"	90'
Line 2	09-10"	11-04"	18"	90'
Line 3	10-06"	12-00"	18"	90'
Benchmark	08-00"	Base of Power Pole near Shop (See Drawing)		

NOTES

One Call before installation. Install during dry conditions. Permit may become void, if a disposal site has been altered.

Maximum Storage on Sloping Ground.

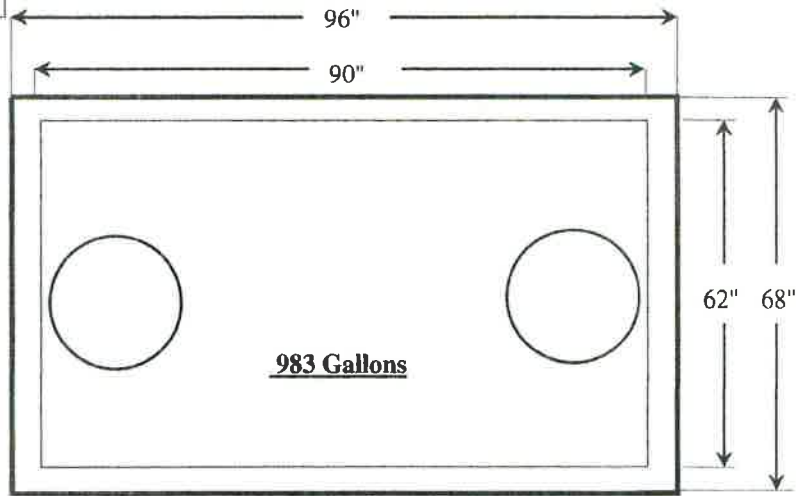
Outlet flow line of D-box is at or above the ground elevation of the highest line of the absorption area.

Any changes or substitutions to the notes and specifications in this permit must be approved by the Designated Representative.

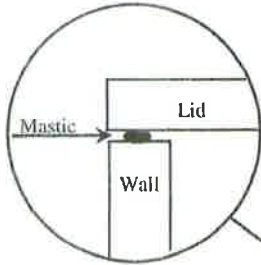
1000 - Gallon Single Compartment Septic Tank

TOP VIEW

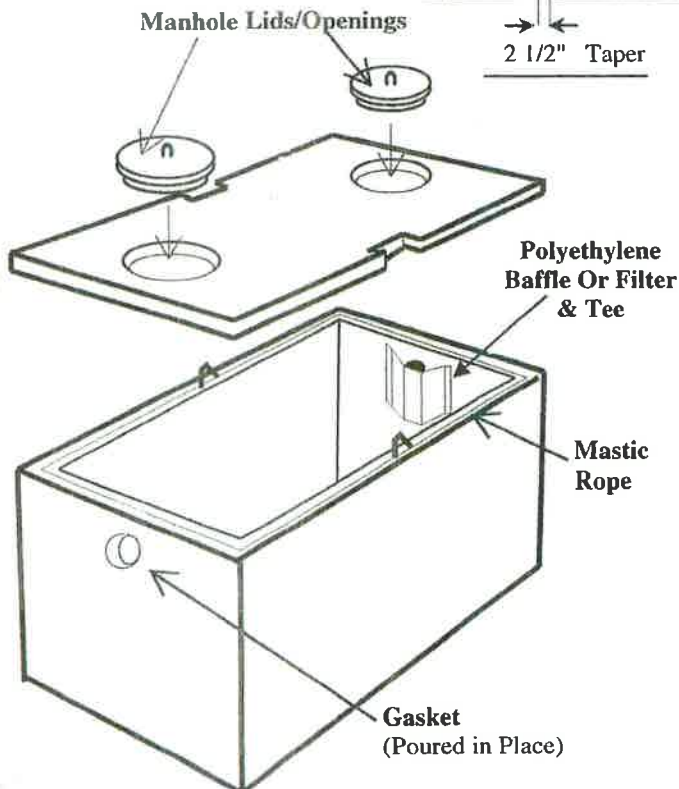
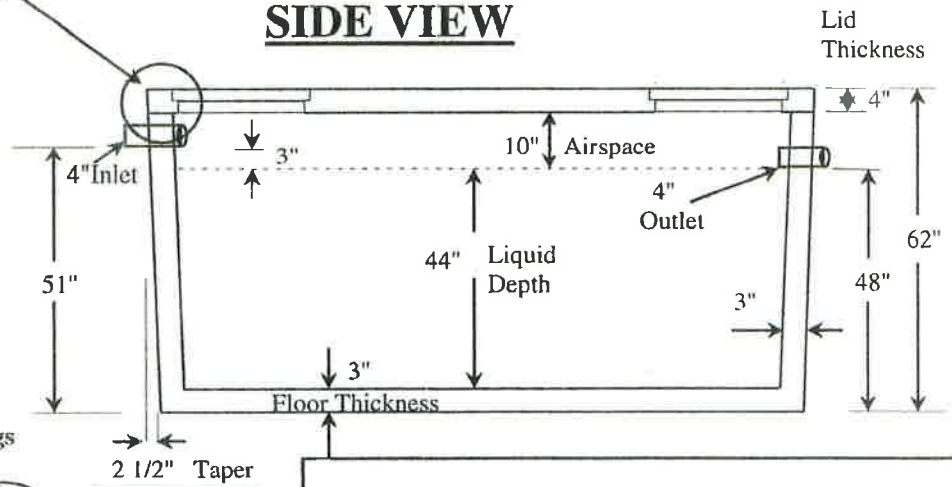
Drawings Not To Scale



Enlarged Detail



SIDE VIEW



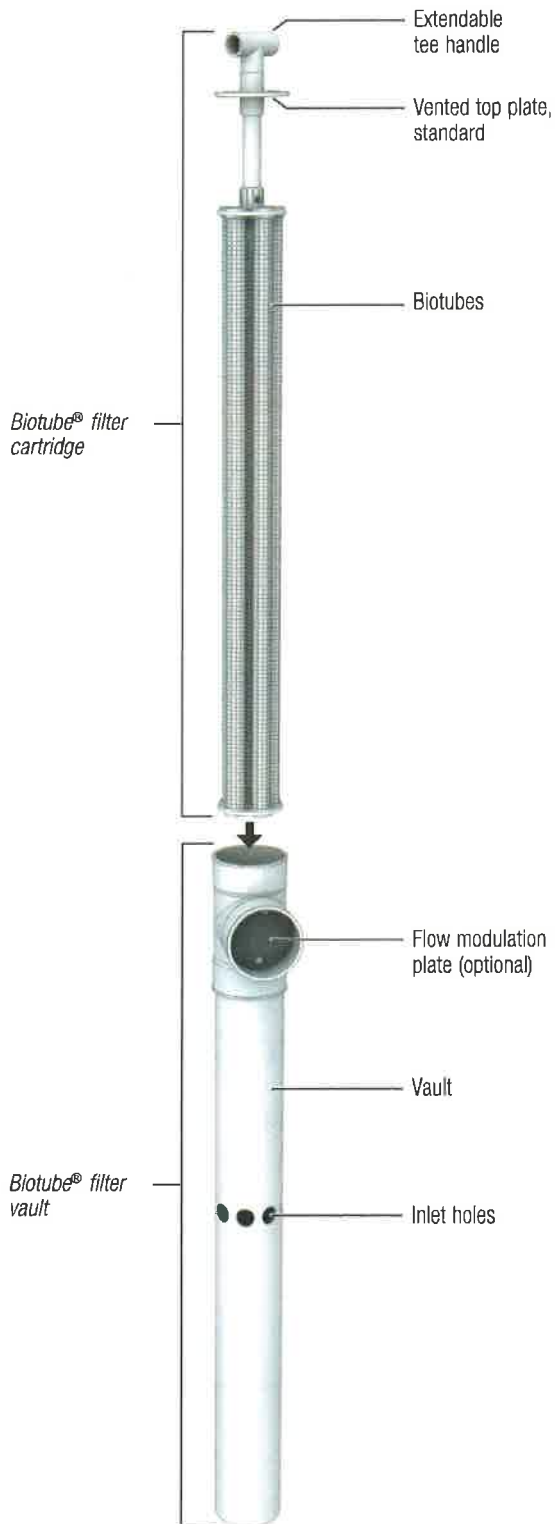
WHITTEN CONCRETE CO.
2703 W. 2nd AVE.
PINE BLUFF, AR. 71601
PHONE: 870-534-6901
FAX: 870-534-6902

1000 - Gallon Single Compartment Septic Tank

Drawing #: DZ-2

Drawing by: SMR Date: 1/19/2011

4-in. (100-mm) Biotube® Effluent Filters



Applications

Orenco® 4-inch Biotube® Effluent Filters are designed to remove solids from effluent leaving residential septic tanks. They can be used in new and existing tanks at flows of up to 1200 gpd.

General

Orenco 4-inch Biotube Effluent Filters (U.S. Patents No. 4,439,323 and 5,492,635) are used to improve the quality of effluent exiting a septic tank in a residential septic system. Increased effluent quality improves system performance and extends drainfield life.

The Biotube cartridge fits tightly in the vault and is removable for maintenance. The tee handle can be extended for easy removal of the cartridge.

Standard Models

FTS0444-36, FTS0444-36M, FTW0436-28, FTW0436-28M
FTW0444-36, FTW0444-36M

Product Code Diagram

FT 04 36 28

FT 04 - -

Flow modulator and float switch bracket options:
Blank = no options selected
M = flow modulation plate installed
A = float switch bracket installed

Cartridge height, in. (mm):
28 = 28 (711), standard
36 = 36 (914), standard

Filter housing height, in. (mm):
36 = 36 (914), standard
44 = 44 (1118), standard

4-in. (100-mm) filter diameter

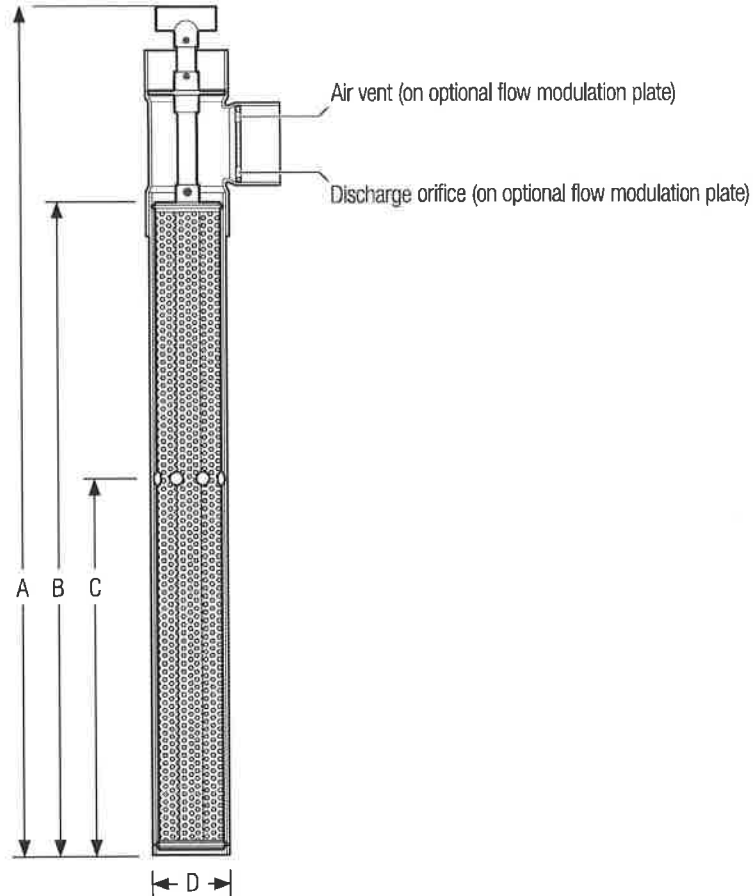
Outlet tee:
W = fits Type 3034 outlet tee
S = fits Schedule 40 outlet tee

Filter mesh option:
Blank = 1/2-in. (3-mm) filter mesh
P = 1/16-in. (1.6-mm) filter mesh

Biotube® effluent filter

Materials of Construction

Vault	PVC
Biotube® cartridge	Polypropylene and polyethylene
Handle components	PVC, polyethylene, stainless steel



Specifications

Model	FTS0444-36, FTW0444-36	FTS0436-28, FTW0436-28
A - Vault height, in. (mm)	44.00 (1118)	36.00 (914)
B - Cartridge height, in. (mm)	36.00 (915)	28.00 (710)
C - Inlet hole height,* in. (mm)	21.25 (540)	19.25 (489)
D - Nominal diameter, in. (mm)	4.00 (100)	4.00 (100)
Number of inlet holes	8	8
Inlet hole diameter, in. (mm)	1.13 (29)	1.13 (29)
Discharge orifice diameter, in. (mm)	4.00 (100)	4.00 (100)
Discharge coupling diameter, in. (mm)	4.00 (100)	4.00 (100)
Filter surface area,† ft² (m²)	5.1 (0.50)	3.9 (0.40)
Flow area,** ft² (m²)	1.5 (0.15)	1.2 (0.12)
Flow Modulation Plate (Optional)		
Number of discharge orifices	2	
Discharge orifice diameter, in. (mm)	0.50 (12.7)	
Number of air vents	1	
Air vent diameter, in. (mm)	0.50 (13)	

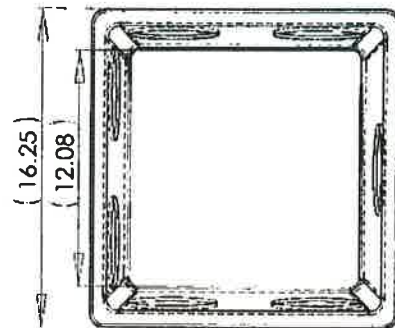
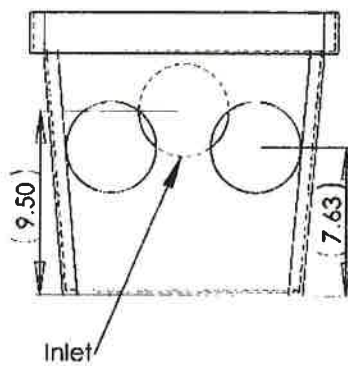
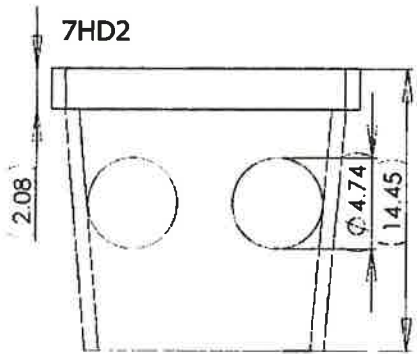
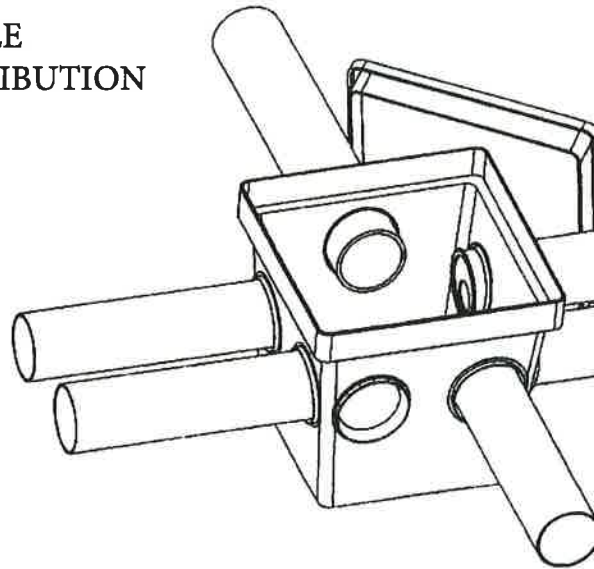
* Inlet hole height can vary depending on the configuration of the tank. Optimum hole height is 70% of the minimum liquid level.

† Filter area is defined as the total surface area of all individual Biotubes® within the filter cartridge.

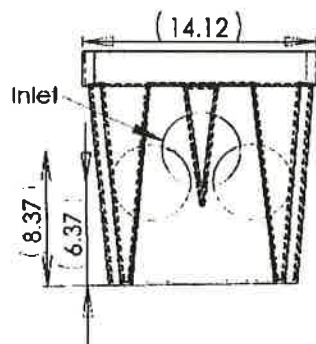
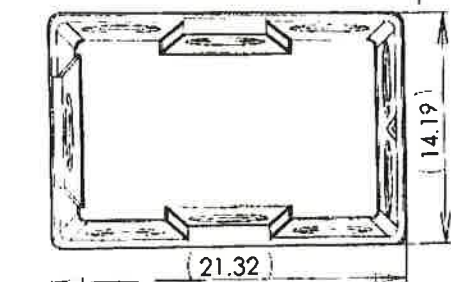
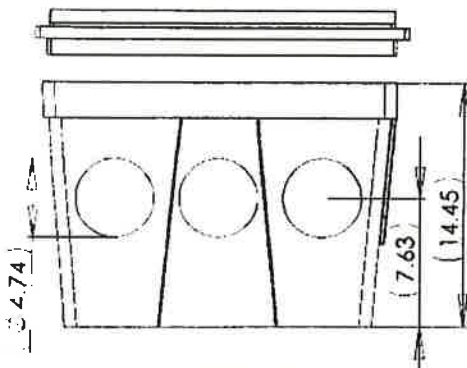
** Flow area is defined as the total open area (or area of the mesh openings) of all the individual Biotubes within the filter cartridge.



7-HOLE DISTRIBUTION BOX



9HD2



Materials:

Injection molded high density polyethylene plastic



INFILTRATOR®
water technologies

Quick4®
CHAMBER SYSTEMS

The Quick4® Equalizer 24 Chamber

Quick4® Series



The Quick4® Equalizer 24 Chamber fits in a 18" wide trench and is ideal for curved or straight systems. It features the patent-pending Contour Swivel Connection™ which permits turns up to 15°, right or left. The MultiPort™ endcap allows multiple piping options and eliminates pipe fittings. The chamber's four-foot length provides optimal installation flexibility.

Chamber Benefits:

- Advanced contouring connections swivel up to 15°, right or left
- Reinforced ribs provide increased structural capability and durability
- Compact nesting provides more trench length in an equivalent stack height
- Four-foot chambers are easy to handle and install
- The Quick4 Equalizer 24 Chamber supports wheel loads of 16,000 lbs/axle with only 12" of cover
- Certified by the International Association of Plumbing and Mechanical Officials (IAPMO)



MultiPort Endcap Benefits:

- Tear-out seals on inlet ports provide a tight fit to the pipe
- Six molded-in inlets/outlets allow for maximum piping flexibility
- Fits on either end of the Quick4 Equalizer 24 Chamber

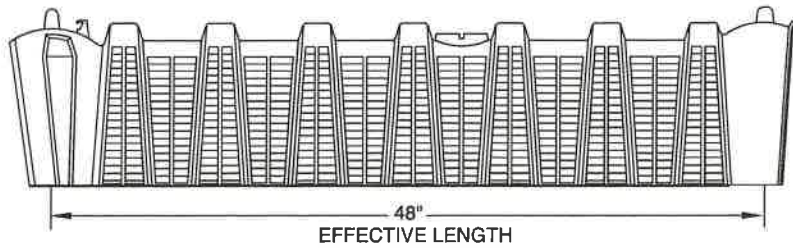
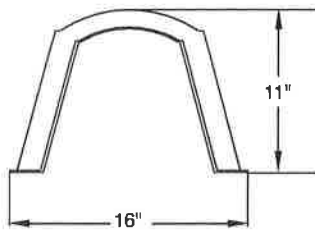
APPROVED in _____



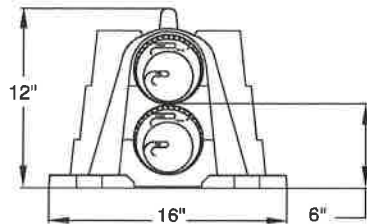
Quick4® Series

Because installations are faster with Quick4 chambers, you save on heavy equipment operation and labor.

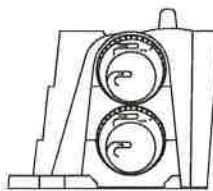
Quick4 Equalizer 24 Chamber



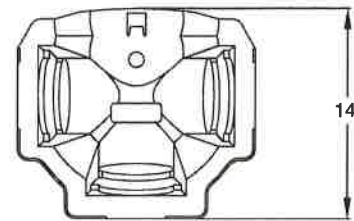
MultiPort EndCap



FRONT VIEW

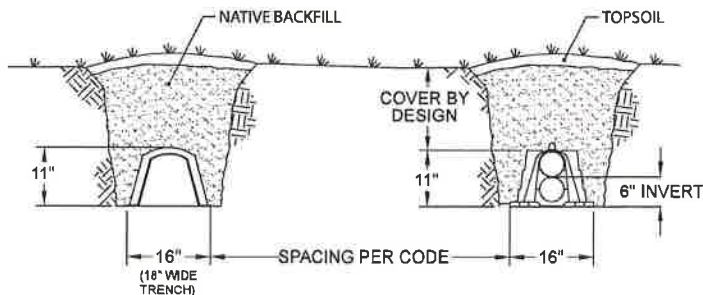


SIDE VIEW



TOP VIEW

Typical Trench View



INFILTRATOR WATER TECHNOLOGIES STANDARD LIMITED WARRANTY

(a) The structural integrity of each chamber, endcap and other accessory manufactured by Infiltrator ("Units"), when installed and operated in a leachfield of an onsite septic system in accordance with Infiltrator's instructions, is warranted to the original purchaser ("Holder") against defective materials and workmanship for one year from the date that the septic permit is issued for the septic system containing the Units; provided, however, that if a septic permit is not required by applicable law, the warranty period will begin upon the date that installation of the septic system commences. To exercise its warranty rights, Holder must notify Infiltrator in writing at its Corporate Headquarters in Old Saybrook, Connecticut within fifteen (15) days of the alleged defect. Infiltrator will supply replacement Units for Units determined by Infiltrator to be covered by this Limited Warranty. Infiltrator's liability specifically excludes the cost of removal and/or installation of the Units.

(b) THE LIMITED WARRANTY AND REMEDIES IN SUBPARAGRAPH (a) ARE EXCLUSIVE. THERE ARE NO OTHER WARRANTIES WITH RESPECT TO THE UNITS, INCLUDING NO IMPLIED WARRANTIES OF MERCHANTABILITY OR FITNESS FOR A PARTICULAR PURPOSE

(c) This Limited Warranty shall be void if any part of the chamber system is manufactured by anyone other than Infiltrator. The Limited Warranty does not extend to incidental, consequential, special or indirect damages. Infiltrator shall not be liable for penalties or liquidated damages, including loss of production and profits, labor and materials, overhead costs, or other losses or expenses incurred by the Holder or any third party. Specifically excluded from Limited Warranty coverage are damage to the Units due to ordinary wear and tear, alteration, accident, misuse, abuse or neglect of the Units; the Units being subjected to vehicle traffic or other conditions which are not permitted by the installation instructions; failure to maintain the minimum ground covers set forth in the installation instructions; the placement of improper materials into the system containing the Units; failure of the Units or the septic system due to improper siting or improper sizing, excessive water usage, improper grease disposal, or improper operation; or any other event not caused by Infiltrator. This Limited Warranty shall be void if the Holder fails to comply with all of the terms set forth in this Limited Warranty. Further, in no event shall Infiltrator be responsible for any loss or damage to the Holder, the Units, or any third party resulting from installation or shipment, or from any product liability claims of Holder or any third party. For this Limited Warranty to apply, the Units must be installed in accordance with all site conditions required by state and local codes; all other applicable laws; and Infiltrator's installation instructions.

(d) No representative of Infiltrator has the authority to change or extend this Limited Warranty. No warranty applies to any party other than the original Holder.

The above represents the Standard Limited Warranty offered by Infiltrator. A limited number of states and counties have different warranty requirements. Any purchaser of Units should contact Infiltrator's Corporate Headquarters in Old Saybrook, Connecticut, prior to such purchase, to obtain a copy of the applicable warranty, and should carefully read that warranty prior to the purchase of Units.

Quick4® Equalizer 24 Chamber Specifications	
Size	16"W x 53"L x 11"H (406 mm x 1346 mm x 279 mm)
Effective Length	48" (1219 mm)
Louver Height	9.10" (231 mm)
Storage Capacity	21 gal (79 L)
Invert Height	6" (152 mm)



4 Business Park Road
P.O. Box 768
Old Saybrook, CT 06475
860-577-7000 · Fax 860-577-7001
1-800-221-4436
www.infiltratorwater.com

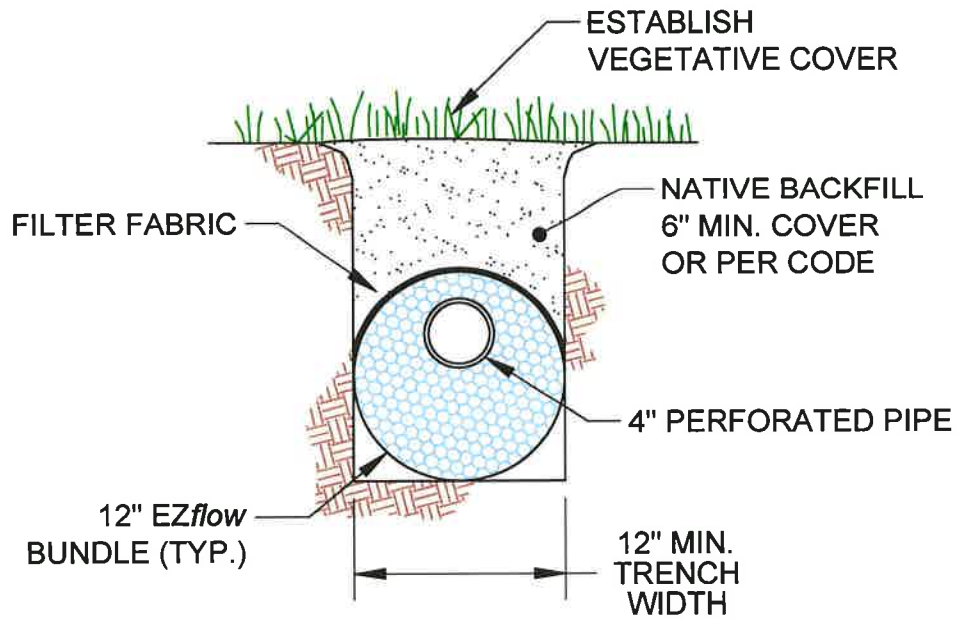
U.S. Patents: 4,759,661; 5,017,041; 5,156,488; 5,336,017; 5,401,116; 5,401,459; 5,511,903; 5,716,163; 5,588,778; 5,839,844 Canadian Patents: 1,329,959; 2,004,564 Other patents pending. Infiltrator, Equalizer, Quick4, and SideWinder are registered trademarks of Infiltrator Water Technologies. Infiltrator is a registered trademark in France. Infiltrator Water Technologies is a registered trademark in Mexico. Contour, MicroLeaching, PolyTuff, ChamberSpacer, MultiPort, PosiLock, QuickCut, QuickPlay, SnapLock and StraightLock are trademarks of Infiltrator Water Technologies. PolyLok is a trademark of PolyLok, Inc. TUF-TITE is a registered trademark of TUF-TITE, INC. Ultra-Rib is a trademark of IPEX Inc.

© 2013 Infiltrator Water Technologies, LLC. All rights reserved. Printed in U.S.A.

Q18 0713

Contact Infiltrator Water Technologies Technical Services Department for assistance at 1-800-221-4436

EZflow 1201P - GEO

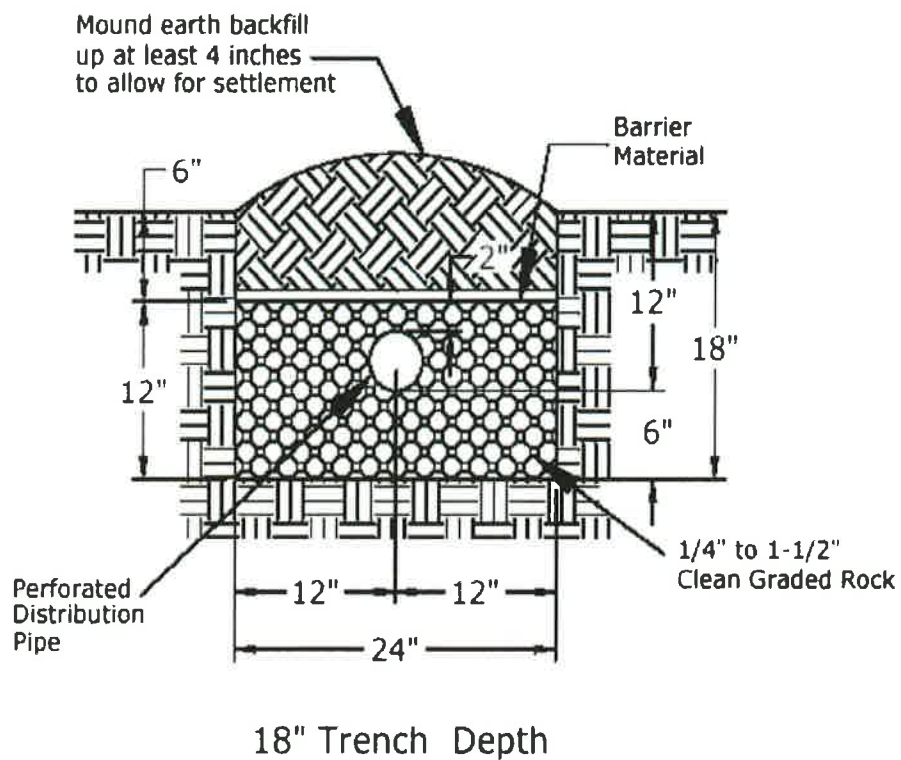


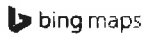
NOTE:
 PRODUCT CONFIGURATION AND INSTALLATION
 DEPTH MUST COMPLY WITH APPLICABLE
 REGULATORY REQUIREMENTS.

		
INFILTRATOR SYSTEMS INC. 4 Business Park Rd. Old Saybrook, CT 06475 (800) 221-4436		
EZflow 1201P - GEO		
Drawn by: EMB		Date: 08/07/2013
Scale: NOT TO SCALE	Checked by: DFH	Sheet: 1 of 1

fig. 9

Lateral Line Trench Detail





A Saline County Health Department

B 500 Glenn Hill Dr, Alexander, AR 72002-8583, United States

21 min , 11.8 miles

Light traffic

Via I-30 E, Springhill Rd

· Unpaved roads



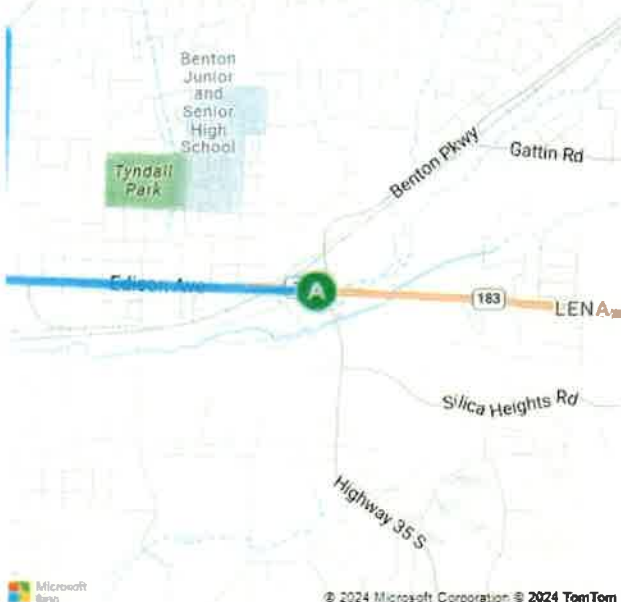
A Saline County Health Department

↑	1.	Head west on AR-35 / Edison Ave toward S Cox St	2.2 mi
5	2.	Take the ramp for AR-5 / Interstate 30 S and head toward Little Rock	0.4 mi
30	3.	Take the ramp on the left and follow signs for US-67 North / I-30 East / US-70 East	3.2 mi
↑	4.	At Exit 121 , head right on the ramp for Interstate 30 S toward Alcoa Rd	1.3 mi
↗	5.	Turn right onto Springhill Road Crossover	0.6 mi
↙	6.	Turn left onto Springhill Rd	2.1 mi
↗	7.	Turn right onto Hilltop Rd	1.0 mi
↙	8.	Turn left onto Lombard Rd	0.7 mi
↗	9.	Turn right onto Glenn Hill Dr • <i>Unpaved Road</i>	0.4 mi
	10.	Arrive at Glenn Hill Dr The last intersection before your destination is Hooks Cove	

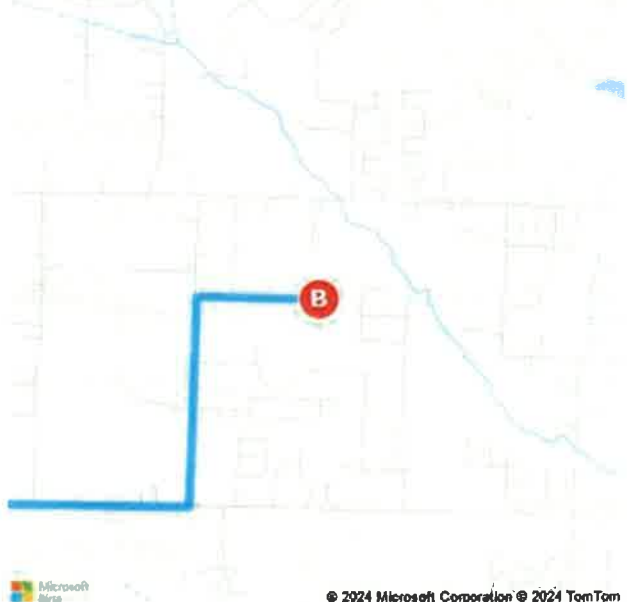
B 500 Glenn Hill Dr, Alexander, AR 72002-8583, United States



A Saline County Health Department



B 500 Glenn Hill Dr, Alexander, AR 72002-85...



These directions are subject to the Microsoft® Service Agreement and are for informational purposes only. No guarantee is made regarding their completeness or accuracy. Construction projects, traffic, or other events may cause actual conditions to differ from these results. Map and traffic data © 2024 TomTom.