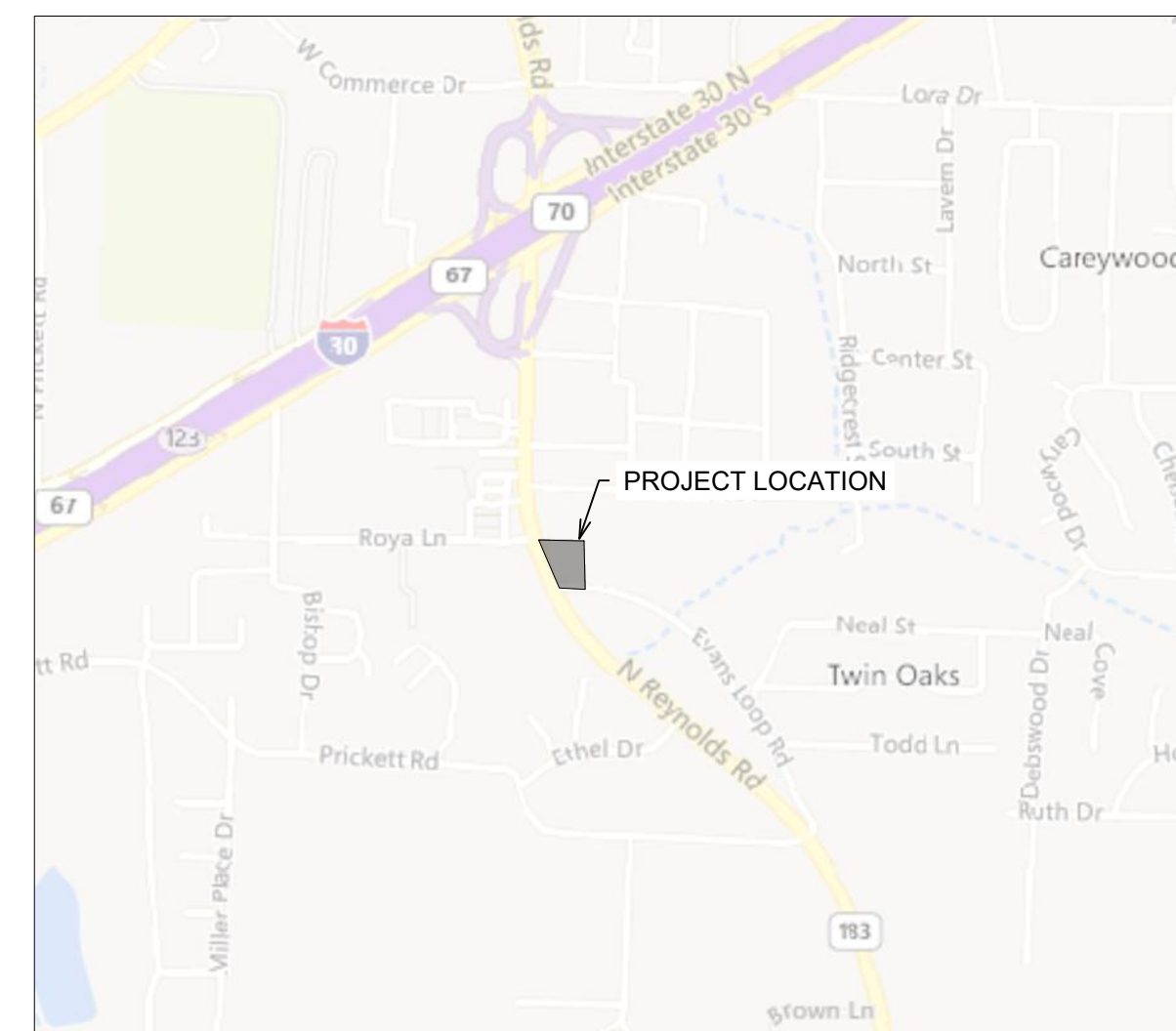


SPLASH CARWASH

BRYANT, ARKANSAS
REYNOLDS ROAD
MAY, 2022



VICINITY MAP

SCALE 1" = 1000'

SHEET INDEX	
SH. NO.	SHEET TITLE
00	COVER SHEET
G-1	EXISTING SITE SURVEY
C-1.0	SITE PLAN
C-1.1	UTILITY PLAN
C-1.3	GRADING PLAN
C-1.4	SITE DETAILS
C1.5	WATER & SEWER DETAILS
C-1.6	LANDSCAPE PLAN
C-1.7	STORM WATER POLLUTION PREVENTION PLAN
C-1.8	EROSION CONTROL DETAILS I
C-1.9	EROSION CONTROL DETAILS II

PROPERTY SPECIFICATIONS

OWNER: COLLIER INTERNATIONAL
ATTN: BRADFORD GAINES
1 ALLIED DRIVE, STE 1500
LITTLE ROCK, AR 72202

DEVELOPER/SUBDIVIDER: COLLIER INTERNATIONAL
ATTN: BRADFORD GAINES
1 ALLIED DRIVE, STE 1500
LITTLE ROCK, AR 72202
(501)-372-6161

ENGINEERS: PHILLIP LEWIS ENGINEERING, INC.
23620 INTERSTATE-30
BRYANT, ARKANSAS 72022
(501)-350-9840

ZONING CLASSIFICATION: C-2

DEVELOPMENT SPECIFICATIONS

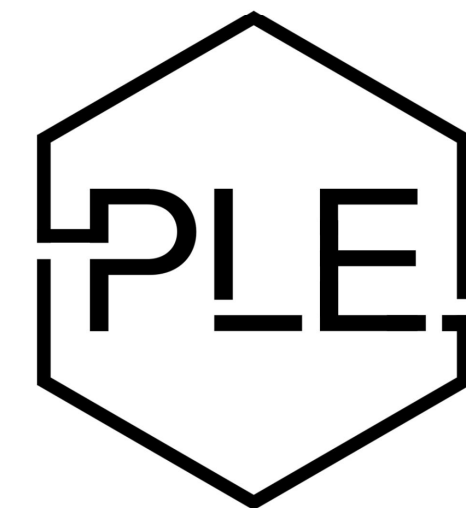
BUILDING = 4,996 SQ. FT. (10.5% OF TOTAL PROPERTY AREA)
PAVING = 22,400 SQ. FT. (47.1% OF TOTAL PROPERTY AREA)
LANDSCAPE = 9,891 SQ. FT. (20.8% OF DEVELOPED AREA)

FLOOD ZONE INFORMATION

FIRM PANEL NO: 05125 C 0380E
EFFECTIVE DATE: 6/05/2020.
THE PROPERTY IS NOT LOCATED WITHIN THE 100 YEAR
FLOOD PLAIN NO BASE FLOOD ELEVATION IS DETERMINED
FOR ZONE X OR ZONE A

SITE NOTES

1. THE INFORMATION AND/OR ELEVATION OF EXISTING UTILITIES AS SHOWN ON THIS SURVEY IS BASED ON RECORDS OF EXISTING UTILITY COMPANIES AND WHERE POSSIBLE, MEASUREMENTS WERE TAKEN IN THE FIELD. THE INFORMATION IS NOT TO BE RELIED ON AS BEING COMPLETE. THE CONTRACTOR MUST CALL THE APPROPRIATE UTILITY COMPANY AT LEAST 48 HOURS IN ADVANCE BEFORE ANY EXCAVATION TO REQUEST EXACT FIELD LOCATION OF UTILITIES.
2. BASIS OF BEARINGS: ARKANSAS STATE PLANE, NORTH ZONE.



PHILLIP LEWIS ENGINEERING

Structural + Civil Consultants



Know what's below.
Call before you dig.

Legal Description

Part of the SW 1/4 SW 1/4 Section 22, Township 1 South, Range 14 West, Saline County, Arkansas being more particularly described;

Commencing at the Southwest corner of the SW 1/4 SW 1/4 of said Section 22; thence South 89°01'32" East along the South line of said SW 1/4 SW 1/4 a distance of 237.04 feet to a point on the Easterly Right-of-Way line of Arkansas State Highway 183, (North Reynolds Road), (100' R/W); thence North 27°21'09" West along said Right-of-Way, a distance of 31.01 feet to the Point of Beginning on the Northerly Right-of-Way line of Evans Loop Road (60' R/W); thence along said Right-of-Way on a curve to the right having a radius 1207.63 feet, an arc length of 152.29 feet and a chord which bears South 86°01'56" East, a distance of 152.19 feet; thence North 02°43'07" East, a distance of 235.92 feet; thence North 88°57'25" West, a distance of 253.49 feet to a point on the Easterly Right-of-Way line of Arkansas State Highway 183 (North Reynolds Road), (100' R/W); thence along said Right-of-Way on a curve to the left having a radius of 1359.20 feet, an arc length of 247.24 feet and a chord which bears South 21°29'28" East, a distance of 246.90 feet to the Point of Beginning containing 1.091 acres, more or less.

CHICAGO TITLE INSURANCE COMPANY

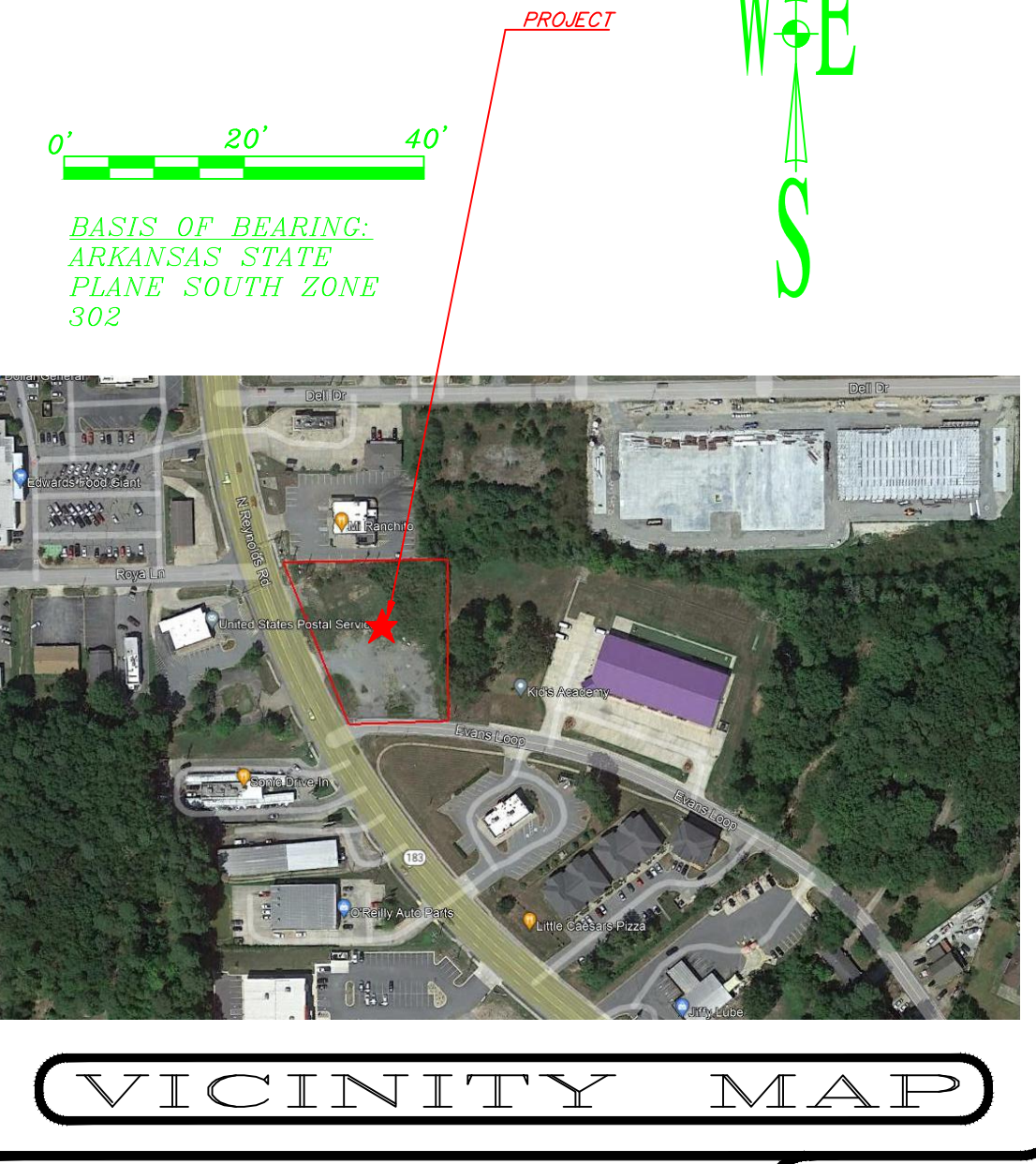
COMMITMENT NO.22-0041240

Commitment Date: February 1, 2022 AT 06:00 am

Title to the Fee Simple estate or interest: 021618 FAMILY LAND TRUST, LLC

Schedule B-II

- Any defect, lien, encumbrance, adverse claim, or other matter that appears for the first time in the Public Record or is created, attaches or is disclosed between the Commitment Date and the date on which all of Schedule B, Part 1 Requirements are met. NOT SURVEY RELATED.
- Any discrepancies or conflicts in boundary lines, any shortages in areas or any encroachment or overlapping of improvements. MULTIPLE DISCREPANCIES BETWEEN DEED AND SURVEY.
- Any facts, rights interests or claims which are not shown by the public record, but which could be ascertained by an accurate survey of the land or by making inquiry of person of possession thereof. 30' R/W ON EVANS LOOP ROAD.
- Easements, liens or encumbrances or claims thereof, which are not shown by the public record. PART OF A 20' SAN. SEWER EASEMENT ALONG THE NORTH LINE.
- Any lien or right of lien, for services, labor of material imposed by law and not shown by the public record. NOT SURVEY RELATED.
- Rights or claims of parties in possession of all or any part of the described premises, not shown by the public record. 30' R/W OF EVANS LOOP ROAD.
- Rights of tenants in possession and under unrecorded leases. NOT SURVEY RELATED.
- (a) unpatented mining claims; (b) reservations or exceptions in patents or in acts authorizing the issuance thereof; (c) water rights, claims or title to water, whether or not the matters excepted under (a), (b), or (c) are shown by the public records. NOT SURVEY RELATED.
- The lien of all taxes for the year 2022 and thereafter not yet due and payable plus any penalties, costs and interest which may accrue. NOT SURVEY RELATED.
- Losses arising from any oil, gas, or mineral interest, conveyed, retained, assigned or any activity on or damage to the insured land or caused by the exercise of the sub-surface rights or ownership, including but not limited to the right of ingress and egress for said sub-surface purpose. NOT SURVEY RELATED.
- The exact quantity of land or number of acres or square feet contained within the property described herein is not insured. Any statement of acreage or quantity of land is shown for identification purposes only. ACREAGE AS SHOWN.
- The rights of the public and others entitled thereto in and to the use of that portion of subject property comprising any road, street, alley, highway or other public right-of-way. 30' R/W OF EVANS LOOP ROAD.
- (Note: item number 1 under Schedule B, Part II Exceptions, can't be removed from this commitment but will not be shown on the final policy.) NOT SURVEY RELATED.
- Final owner's policy to Include ALTA 8.1 and 35 endorsements. NOT SURVEY RELATED.



LEGEND

- Right of Way Monument
- Control Points
- Set Iron Pin
- Found Monument
- Gas Regulator
- Gas Riser
- Gas Meter
- Clean Out
- Sanitary Sewer Manhole
- Telephone Pedestal
- Electric Meter
- Electric Box
- Power Pole
- Cuy Wire Anchor
- Light Pole
- Center Line
- Flag Pole
- Fire Hydrant
- Water Hydrant
- Down Spout
- Water Meter
- Water Valve
- Metal Drainage Grate
- Gate Post
- Ground Light
- Sign
- Junction Box
- Handicap Parking
- Manhole
- Bollard
- Mailbox
- RPZ Valve
- Tree
- Vault
- Air Conditioner
- Flow Direction
- Flared End Section
- Telephone Line
- Sanitary Sewer Main
- Electric Line
- Underground Gas
- Waterline
- Fence
- Fiber Optic
- Treeline
- Concrete

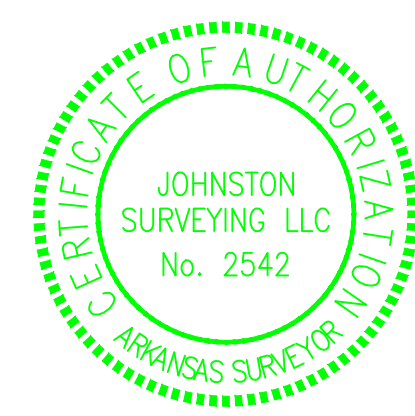
Certification

The plat or map of an ALTA/NSPS Land Title Survey shall bear only the following certification, unaltered, except as may be required pursuant to Section 3.B. above:

I, Terrywood INC., 021618 Family Land Trust, LLC, Chicago Title Company, Pulaski County Title LLC, Colliers Arkansas:

This is to certify that this map or plat and the survey on which it is based were made in accordance with the 2016 Minimum Standard Detail Requirements for ALTA/NSPS Land Title Surveys, jointly established and adopted by ALTA and NSPS, and includes Items 1, 2, 3, 4, 5, 8, 11, of Table A thereof. The fieldwork was completed on February 19, 2022.

Date of Plat or Map: February 28, 2022.
 Surveyor's signature, [Signature] AR No. 1348



Flood Information
 This property lies within Zone X according to Federal Flood Insurance Rate Map Community Panel No. 05125C0380E, effective June 5, 2020.

Note:
 All utilities shown per visible field evidence, lines marked on the ground, or verbal communication from onsite utility personnel. Surveyor is not responsible for existing underground utilities that are incorrectly located, omitted from or added to this plat.

500-01S-14W-0-22-30-62-1348

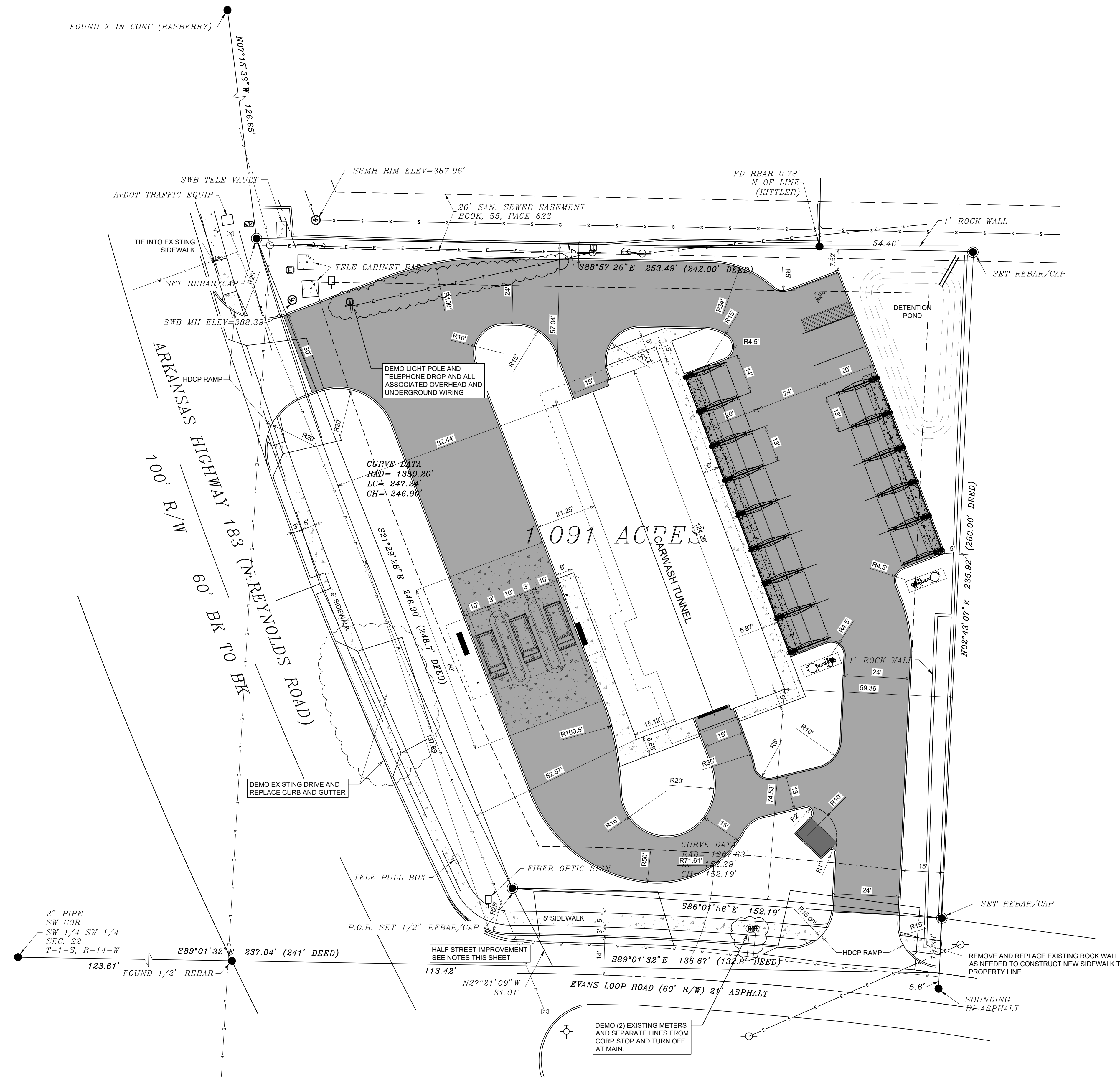
1.091 ACRES

Z:\Splash Investment Group\Splash Carwash - Bryant\Survey\Documents\N Reynolds Road.dwg

DATE: 2/28/2022	021618 FAMILY TRUST, LLC
SCALE: 1:30	SW 1/4 SW 1/4 SEC 22
DRAWN BY: H. CRAFTENREED	T-1-S, R, R-14-W
CHECKED BY: M. JOHNSTON	JOB NO. 695
FILE NAME: N Reynolds Road	

JOHNSTON SURVEYING, INC

37027 HWY 300
 ROLAND, AR 72135
 501-837-5643
 MJohnstonsurveying@gmail.com



SITE PLAN

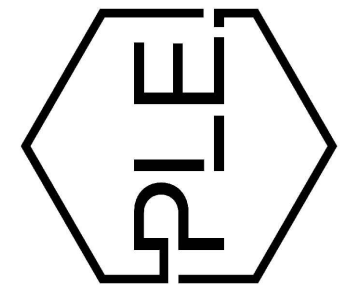
SCALE 1" = 20'

GENERAL CONSTRUCTION NOTES

- A. THE CONTRACTOR WILL BE HELD SOLELY RESPONSIBLE FOR DAMAGES OCCURRING TO ANY PROPERTY DURING THE CONSTRUCTION OF THIS PROJECT. SAID CONTRACTOR SHALL TAKE ALL NECESSARY PRECAUTIONS TO PREVENT PROPERTY DAMAGE.
- B. IN ACCORDANCE WITH GENERALLY ACCEPTED CONSTRUCTION PRACTICES, THE CONTRACTOR WILL SOLELY AND COMPLETELY BE RESPONSIBLE FOR CONDITIONS OF THE JOB SITE, INCLUDING SAFETY WORK. THIS REQUIREMENT WILL APPLY CONTINUOUSLY AND WILL NOT BE LIMITED TO NORMAL WORKING HOURS.
THE DUTY OF BRYANT TO CONDUCT CONSTRUCTION INSPECTION REVIEWS OF THE CONTRACTOR'S PERFORMANCE IS NOT AN INSPECTION OR REVIEW OF THE ADEQUACY OF THE CONTRACTOR'S SAFETY MEASURES IN, ON, OR NEAR THE CONSTRUCTION SITE.
- C. ALL WATER AND SEWER IMPROVEMENTS SHALL BE CONSTRUCTED IN ACCORDANCE WITH THE LATEST REVISION TO THE CITY OF BRYANT'S WATER AND WASTEWATER (SANITARY SEWER) STANDARD SPECIFICATIONS.
- D. THE CONTRACTOR IS SPECIFICALLY CAUTIONED THAT THE LOCATION AND/OR ELEVATION OF EXISTING UTILITIES AS SHOWN ON THESE PLANS IS BASED ON RECORDS OF THE VARIOUS UTILITY COMPANIES AND, WHERE POSSIBLE, MEASUREMENTS TAKEN IN THE FIELD. THE INFORMATION IS NOT TO BE RELIED ON AS BEING EXACT OR COMPLETE. THE CONTRACTOR MUST CALL THE APPROPRIATE UTILITY COMPANY AT LEAST 48 HOURS BEFORE ANY EXCAVATION TO REQUEST EXACT FIELD LOCATION OF ALL UTILITIES. IT SHALL BE THE RESPONSIBILITY OF THE CONTRACTOR TO LOCATE ALL EXISTING UTILITIES WHICH CONFLICT WITH PROPOSED IMPROVEMENTS SHOWN ON THE PLAN.
- E. CONTRACTOR IS TO REMOVE AND DISPOSE OF ALL DEBRIS, RUBBISH, AND OTHER MATERIALS RESULTING FROM PREVIOUS AND CURRENT DEMOLITION OPERATIONS. DISPOSAL WILL BE IN ACCORDANCE WITH ALL LOCAL, STATE AND/OR FEDERAL REGULATIONS GOVERNING SUCH OPERATIONS.
- F. PRIOR TO INSTALLATION OF ANY UTILITIES, THE CONTRACTOR IS TO EXCAVATE, VERIFY AND CALCULATE ALL CROSSINGS AND INFORM ANY AND ALL UTILITIES OF ANY CONFLICTS PRIOR TO CONSTRUCTION.
- G. CONSTRUCTION SHALL NOT START ON ANY WATER UTILITY TIE-INS UNTIL APPROVAL IS GIVEN BY BRYANT WATER. SAID CONTRACTOR SHALL NOT OPERATE ANY VALVE, HYDRANT, OR WATER UTILITY APPURTENANCE NOR SHALL HE ATTACH TO OR TAP ANY WATER UTILITY MAIN WITHOUT APPROVAL. THE CONTRACTOR SHALL BEAR THE COST AND CONSEQUENCE OF ANY DISRUPTION OF UTILITY OPERATION CAUSED BY CONSTRUCTION.
- H. FIBER OPTIC CABLE ON AND/OR ADJACENT TO THIS SITE WERE NOT LOCATED BY THE SURVEY AND ARE NOT SHOWN. IT IS THE RESPONSIBILITY OF THE CONTRACTOR TO LOCATE ANY FIBER OPTIC CABLES ASSOCIATED WITH THIS SITE AND TAKE ALL NECESSARY AND REQUIRED PRECAUTIONS TO PROTECT ANY EXISTING FIBER OPTIC CABLES. CONTRACTORS SHALL COORDINATE ALL EFFORTS WITH OWNER OF FIBER OPTIC CABLES OR THEIR DESIGNATED REPRESENTATIVE.
- J. THE CONTRACTOR IS RESPONSIBLE FOR CONTACTING "ONECALL" SERVICE TO MARK ALL UTILITIES PRIOR TO ANY DEMOLITION, EARTHWORK, OR UTILITY WORK ON THIS SITE.

- HALF STREET IMPROVEMENT NOTES:
1. EVANS LOOP IS CURRENTLY IMPROVED TO THE EAST 28' BC-BC WITH 60' R/W.
 2. EXISTING PAVING ALONG PROPERTY LINE IS 11" CL TO EDGE OF PAVING.
 3. CONTRACTOR SHALL INSTALL CURB AND GUTTER TO THE DIMENSION OF 14" FROM CL TO BACK OF CURB.
 4. EXISTING LANE SLOPE SHALL BE TAKEN FROM CL EXISTING ROAD THROUGH A POINT 8' NORTH OF EXISTING CL TO DETERMINE EXISTING CROSS SLOPE TO MATCH.
 5. ASPHALT PAVEMENT AND GUTTER SHALL MATCH EXISTING ROAD CROSS SLOPE AND GRADE TO DRAIN TO STORM BOX ON REYNOLDS ROAD AS CURRENTLY SLOPING.

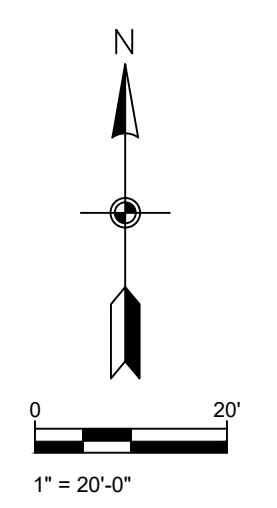
PHILLIP LEWIS ENGINEERING, INC.
Structural + Civil Consultants
23620 Interstate 30 | Bryant, Arkansas
PH: 501-350-9840

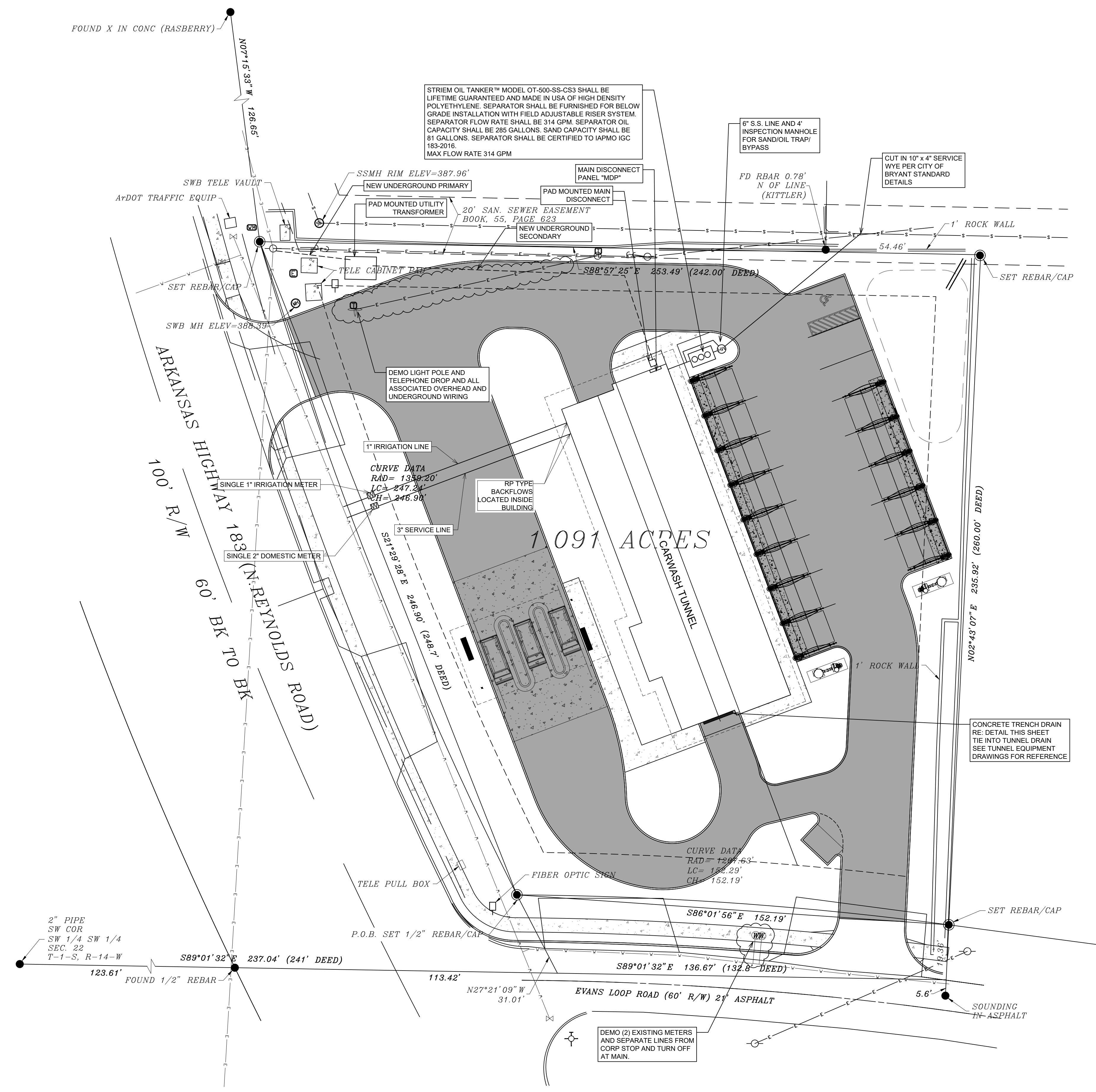


REVISION:

SPLASH CARWASH
BRYANT, ARKANSAS

PROJECT NUMBER:
SHEET ISSUE DATE: 5/11/2022
PAGE TITLE: **SITE PLAN**
SHEET NUMBER: **C-1.0**





STRIEM OIL TANKER™ MODEL OT-500-SS-CS3 SHALL BE LIFETIME GUARANTEED AND MADE IN USA OF HIGH DENSITY POLYETHYLENE. SEPARATOR SHALL BE FURNISHED FOR BELOW GRADE INSTALLATION WITH FIELD ADJUSTABLE RISER SYSTEM. SEPARATOR FLOW RATE SHALL BE 314 GPM. SEPARATOR OIL CAPACITY SHALL BE 285 GALLONS. SAND CAPACITY SHALL BE 81 GALLONS. SEPARATOR SHALL BE CERTIFIED TO IAPMO IGC 183-2016. MAX FLOW RATE 314 GPM

8" S.S. LINE AND 4' INSPECTION MANHOLE FOR SAND/OIL TRAP/BYPASS

CUT IN 10" x 4" SERVICE WYE PER CITY OF BRYANT STANDARD DETAILS

DEMO LIGHT POLE AND TELEPHONE DROP AND ALL ASSOCIATED OVERHEAD AND UNDERGROUND WIRING

CONCRETE TRENCH DRAIN RE. DETAIL THIS SHEET TIE INTO TUNNEL DRAIN SEE TUNNEL EQUIPMENT DRAWINGS FOR REFERENCE

DEMO (2) EXISTING METERS AND SEPARATE LINES FROM CORP STOP AND TURN OFF AT MAIN.

GENERAL CONSTRUCTION NOTES

- A. THE CONTRACTOR WILL BE HELD SOLELY RESPONSIBLE FOR DAMAGES OCCURRING TO ANY PROPERTY DURING THE CONSTRUCTION OF THIS PROJECT. SAID CONTRACTOR SHALL TAKE ALL NECESSARY PRECAUTIONS TO PREVENT PROPERTY DAMAGE.
- B. IN ACCORDANCE WITH GENERALLY ACCEPTED CONSTRUCTION PRACTICES, THE CONTRACTOR WILL SOLELY AND COMPLETELY BE RESPONSIBLE FOR CONDITIONS OF THE JOB SITE, INCLUDING SAFETY WORK. THIS REQUIREMENT WILL APPLY CONTINUOUSLY AND WILL NOT BE LIMITED TO NORMAL WORKING HOURS.
THE DUTY OF BRYANT TO CONDUCT CONSTRUCTION INSPECTION REVIEWS OF THE CONTRACTOR'S PERFORMANCE IS NOT AN INSPECTION OR REVIEW OF THE ADEQUACY OF THE CONTRACTOR'S SAFETY MEASURES IN, ON, OR NEAR THE CONSTRUCTION SITE.
- C. ALL WATER AND SEWER IMPROVEMENTS SHALL BE CONSTRUCTED IN ACCORDANCE WITH THE LATEST REVISION TO THE CITY OF BRYANT'S WATER AND WASTEWATER (SANITARY SEWER) STANDARD SPECIFICATIONS.
- D. THE CONTRACTOR IS SPECIFICALLY CAUTIONED THAT THE LOCATION AND/OR ELEVATION OF EXISTING UTILITIES AS SHOWN ON THESE PLANS IS BASED ON RECORDS OF THE VARIOUS UTILITY COMPANIES AND, WHERE POSSIBLE, MEASUREMENTS TAKEN IN THE FIELD. THE INFORMATION IS NOT TO BE RELIED ON AS BEING EXACT OR COMPLETE. THE CONTRACTOR MUST CALL THE APPROPRIATE UTILITY COMPANY AT LEAST 48 HOURS BEFORE ANY EXCAVATION TO REQUEST EXACT FIELD LOCATION OF ALL UTILITIES. IT SHALL BE THE RESPONSIBILITY OF THE CONTRACTOR TO LOCATE ALL EXISTING UTILITIES WHICH CONFLICT WITH PROPOSED IMPROVEMENTS SHOWN ON THE PLAN.
- E. CONTRACTOR IS TO REMOVE AND DISPOSE OF ALL DEBRIS, RUBBISH, AND OTHER MATERIALS RESULTING FROM PREVIOUS AND CURRENT DEMOLITION OPERATIONS. DISPOSAL WILL BE IN ACCORDANCE WITH ALL LOCAL, STATE AND/OR FEDERAL REGULATIONS GOVERNING SUCH OPERATIONS.
- F. PRIOR TO INSTALLATION OF ANY UTILITIES, THE CONTRACTOR IS TO EXCAVATE, VERIFY AND CALCULATE ALL CROSSINGS AND INFORM ANY AND ALL UTILITIES OF ANY CONFLICTS PRIOR TO CONSTRUCTION.
- G. CONSTRUCTION SHALL NOT START ON ANY WATER UTILITY TIE-INS UNTIL APPROVAL IS GIVEN BY BRYANT WATER. SAID CONTRACTOR SHALL NOT OPERATE ANY VALVE, HYDRANT, OR WATER UTILITY APPURTENANCE NOR SHALL HE ATTACH TO OR TAP ANY WATER UTILITY MAIN WITHOUT APPROVAL. THE CONTRACTOR SHALL BEAR THE COST AND CONSEQUENCE OF ANY DISRUPTION OF UTILITY OPERATION CAUSED BY CONSTRUCTION.
- H. FIBER OPTIC CABLE ON AND/OR ADJACENT TO THIS SITE WERE NOT LOCATED BY THE SURVEY AND ARE NOT SHOWN. IT IS THE RESPONSIBILITY OF THE CONTRACTOR TO LOCATE ANY FIBER OPTIC CABLES ASSOCIATED WITH THIS SITE AND TAKE ALL NECESSARY AND REQUIRED PRECAUTIONS TO PROTECT ANY EXISTING FIBER OPTIC CABLES. CONTRACTORS SHALL COORDINATE ALL EFFORTS WITH OWNER OF FIBER OPTIC CABLES OR THEIR DESIGNATED REPRESENTATIVE.
- J. THE CONTRACTOR IS RESPONSIBLE FOR CONTACTING "ONECALL" SERVICE TO MARK ALL UTILITIES PRIOR TO ANY DEMOLITION, EARTHWORK, OR UTILITY WORK ON THIS SITE.

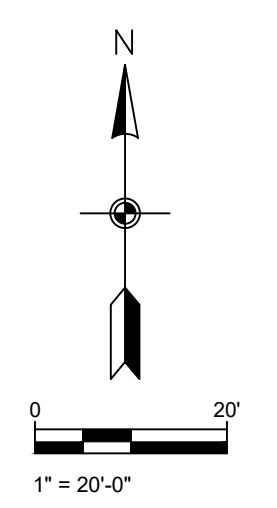
PHILLIP LEWIS ENGINEERING, INC.
Structural + Civil Consultants
23620 Interstate 30 | Bryant, Arkansas
PH: 501-350-9840

SPLASH CARWASH
BRYANT, ARKANSAS

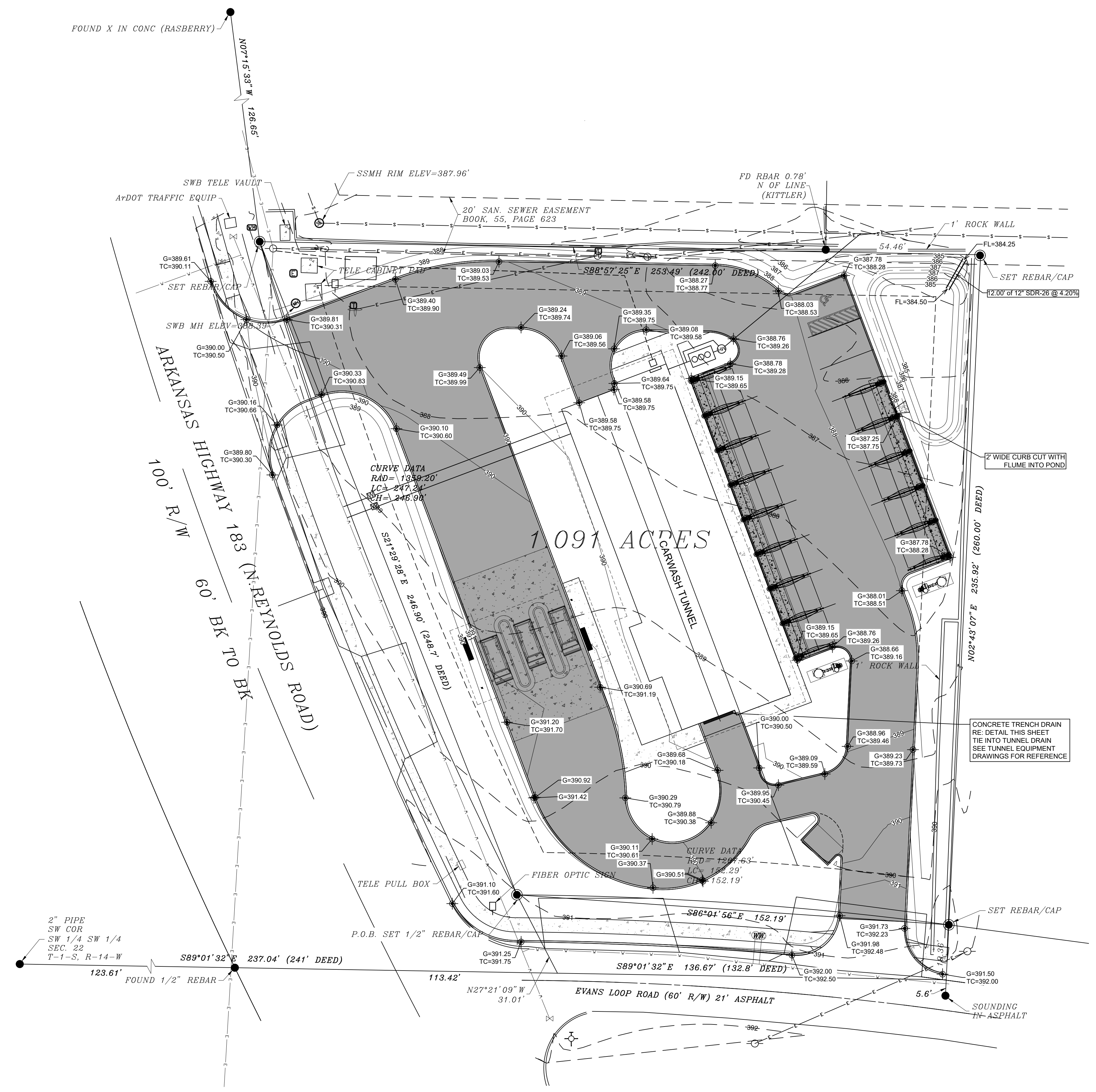
UTILITY PLAN

ALL UTILITY WORK SHALL BE PERFORMED ACCORDING TO BRYANT STANDARD UTILITY DETAILS AND SPECIFICATIONS

SCALE 1" = 20'

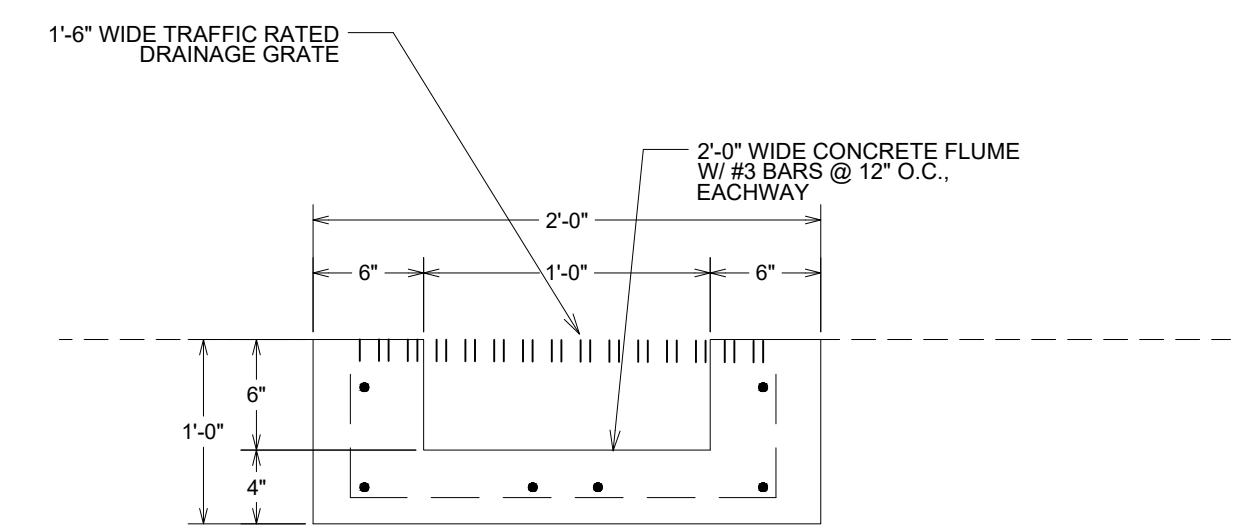


PROJECT NUMBER:
SHEET ISSUE DATE: 5/11/2022
PAGE TITLE: UTILITY PLAN
SHEET NUMBER: C-1.1



GENERAL CONSTRUCTION NOTES

- A. THE CONTRACTOR WILL BE HELD SOLELY RESPONSIBLE FOR DAMAGES OCCURRING TO ANY PROPERTY DURING THE CONSTRUCTION OF THIS PROJECT. SAID CONTRACTOR SHALL TAKE ALL NECESSARY PRECAUTIONS TO PREVENT PROPERTY DAMAGE.
- B. IN ACCORDANCE WITH GENERALLY ACCEPTED CONSTRUCTION PRACTICES, THE CONTRACTOR WILL SOLELY AND COMPLETELY BE RESPONSIBLE FOR CONDITIONS OF THE JOB SITE, INCLUDING SAFETY WORK. THIS REQUIREMENT WILL APPLY CONTINUOUSLY AND WILL NOT BE LIMITED TO NORMAL WORKING HOURS.
THE DUTY OF BRYANT TO CONDUCT CONSTRUCTION INSPECTION REVIEWS OF THE CONTRACTOR'S PERFORMANCE IS NOT AN INSPECTION OR REVIEW OF THE ADEQUACY OF THE CONTRACTOR'S SAFETY MEASURES IN, ON, OR NEAR THE CONSTRUCTION SITE.
- C. ALL WATER AND SEWER IMPROVEMENTS SHALL BE CONSTRUCTED IN ACCORDANCE WITH THE LATEST REVISION TO THE CITY OF BRYANT'S WATER AND WASTEWATER (SANITARY SEWER) STANDARD SPECIFICATIONS.
- D. THE CONTRACTOR IS SPECIFICALLY CAUTIONED THAT THE LOCATION AND/OR ELEVATION OF EXISTING UTILITIES AS SHOWN ON THESE PLANS IS BASED ON RECORDS OF THE VARIOUS UTILITY COMPANIES AND, WHERE POSSIBLE, MEASUREMENTS TAKEN IN THE FIELD. THE INFORMATION IS NOT TO BE RELIED ON AS BEING EXACT OR COMPLETE. THE CONTRACTOR MUST CALL THE APPROPRIATE UTILITY COMPANY AT LEAST 48 HOURS BEFORE ANY EXCAVATION TO REQUEST EXACT FIELD LOCATION OF ALL UTILITIES. IT SHALL BE THE RESPONSIBILITY OF THE CONTRACTOR TO LOCATE ALL EXISTING UTILITIES WHICH CONFLICT WITH PROPOSED IMPROVEMENTS SHOWN ON THE PLAN.
- E. CONTRACTOR IS TO REMOVE AND DISPOSE OF ALL DEBRIS, RUBBISH, AND OTHER MATERIALS RESULTING FROM PREVIOUS AND CURRENT DEMOLITION OPERATIONS. DISPOSAL WILL BE IN ACCORDANCE WITH ALL LOCAL, STATE AND/OR FEDERAL REGULATIONS GOVERNING SUCH OPERATIONS.
- F. PRIOR TO INSTALLATION OF ANY UTILITIES, THE CONTRACTOR IS TO EXCAVATE, VERIFY AND CALCULATE ALL CROSSINGS AND INFORM ANY AND ALL UTILITIES OF ANY CONFLICTS PRIOR TO CONSTRUCTION.
- G. CONSTRUCTION SHALL NOT START ON ANY WATER UTILITY TIE-INS UNTIL APPROVAL IS GIVEN BY BRYANT WATER. SAID CONTRACTOR SHALL NOT OPERATE ANY VALVE, HYDRANT, OR WATER UTILITY APPURTENANCE NOR SHALL HE ATTACH TO OR TAP ANY WATER UTILITY MAIN WITHOUT APPROVAL. THE CONTRACTOR SHALL BEAR THE COST AND CONSEQUENCE OF ANY DISRUPTION OF UTILITY OPERATION CAUSED BY CONSTRUCTION.
- H. FIBER OPTIC CABLE ON AND/OR ADJACENT TO THIS SITE WERE NOT LOCATED BY THE SURVEY AND ARE NOT SHOWN. IT IS THE RESPONSIBILITY OF THE CONTRACTOR TO LOCATE ANY FIBER OPTIC CABLES ASSOCIATED WITH THIS SITE AND TAKE ALL NECESSARY AND REQUIRED PRECAUTIONS TO PROTECT ANY EXISTING FIBER OPTIC CABLES. CONTRACTORS SHALL COORDINATE ALL EFFORTS WITH OWNER OF FIBER OPTIC CABLES OR THEIR DESIGNATED REPRESENTATIVE.
- J. THE CONTRACTOR IS RESPONSIBLE FOR CONTACTING "ONECALL" SERVICE TO MARK ALL UTILITIES PRIOR TO ANY DEMOLITION, EARTHWORK, OR UTILITY WORK ON THIS SITE.

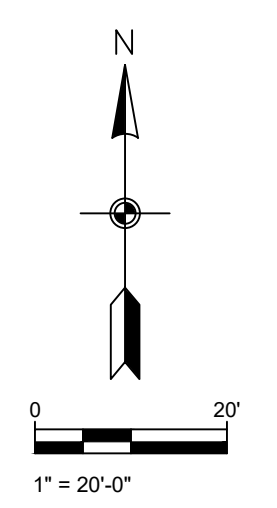


CONCRETE TRENCH DETAIL NOT TO SCALE

SITE GRADING PLAN

G = GUTTER ELEVATION
TC = TOP OF CURB ELEVATION

SCALE 1" = 20'



PHILLIP LEWIS ENGINEERING, INC.
Structural + Civil Consultants
23620 Interstate 30 | Bryant, Arkansas
PH: 501-350-9840

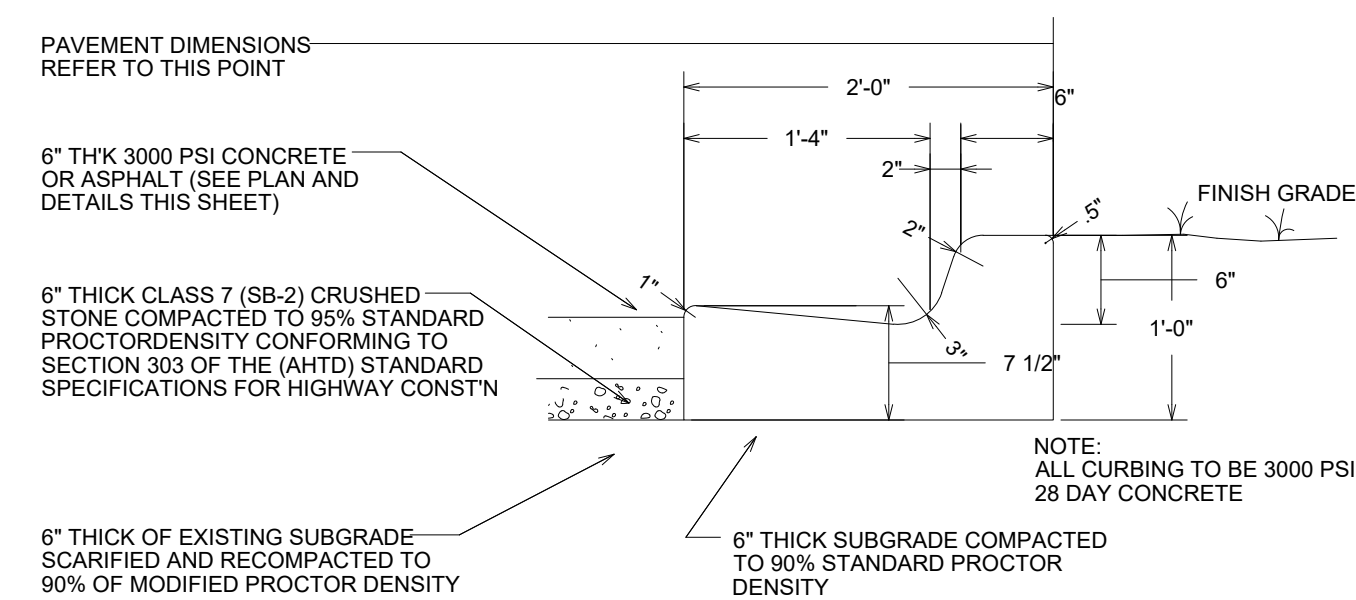
SPLASH CARWASH
BRYANT, ARKANSAS

PROJECT NUMBER:

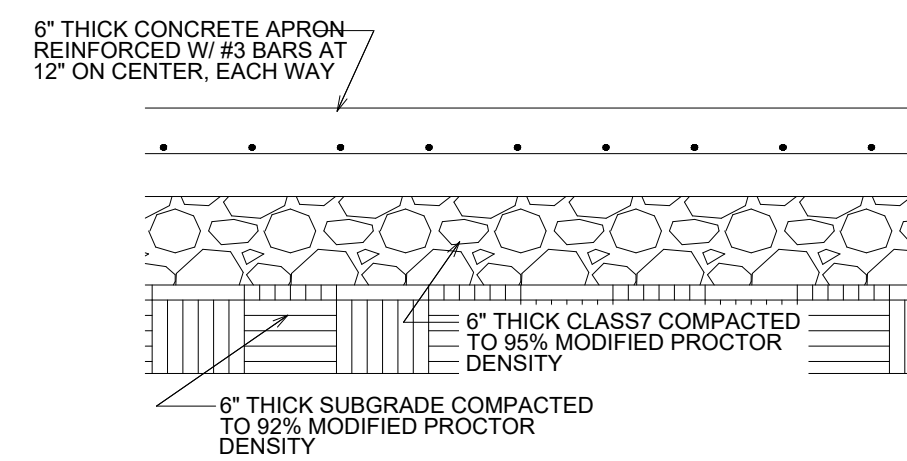
SHEET ISSUE DATE:
5/11/2022

PAGE TITLE:
GRADING PLAN

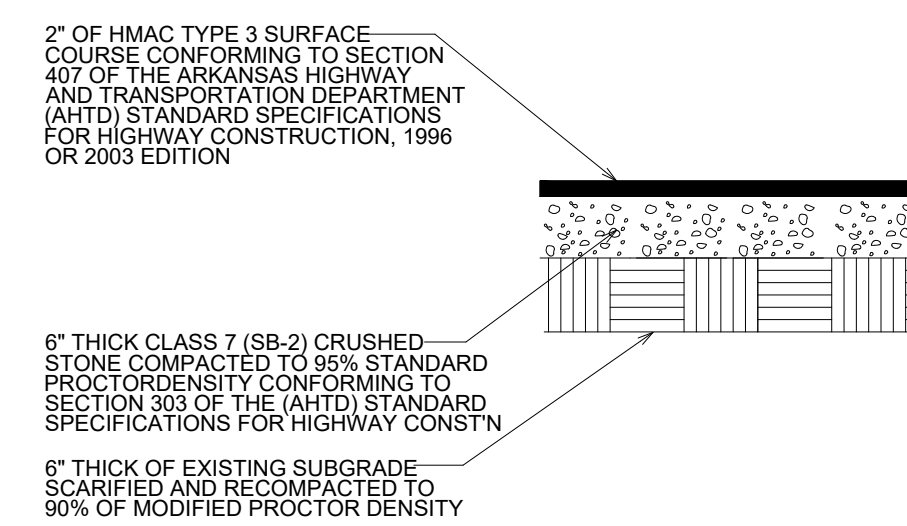
SHEET NUMBER:
C-1.3



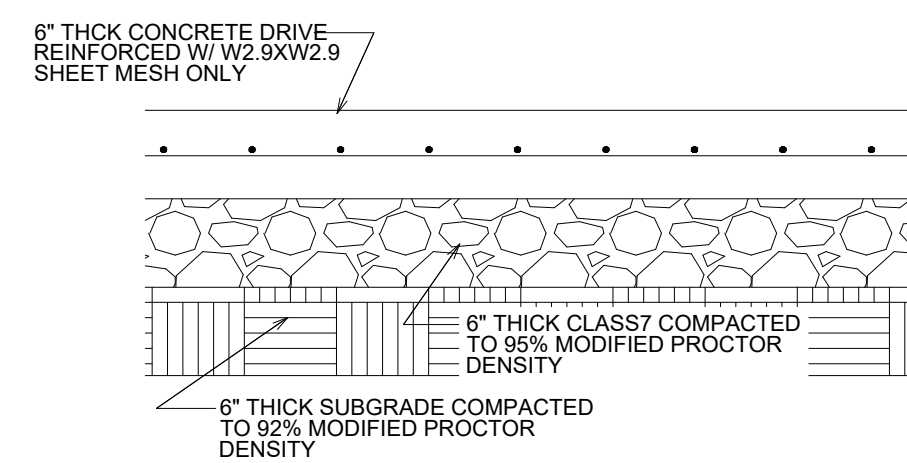
2'-0" CONCRETE CURB & GUTTER NOT TO SCALE



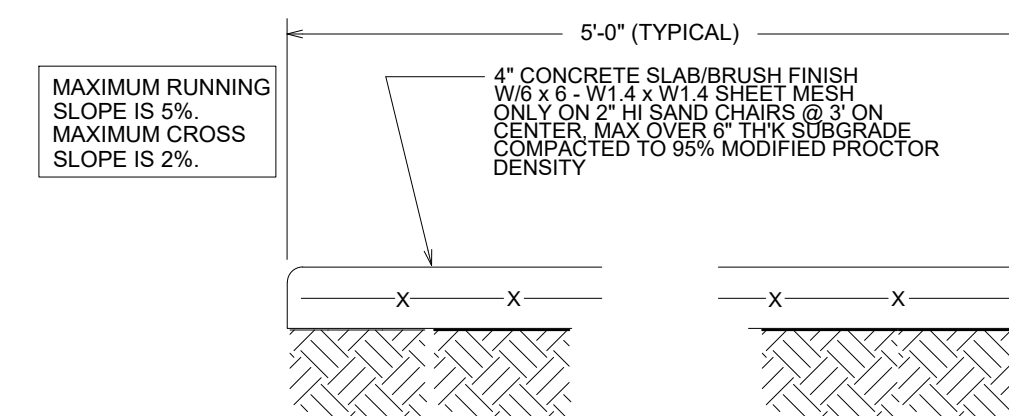
CONCRETE APRON SECTION NOT TO SCALE



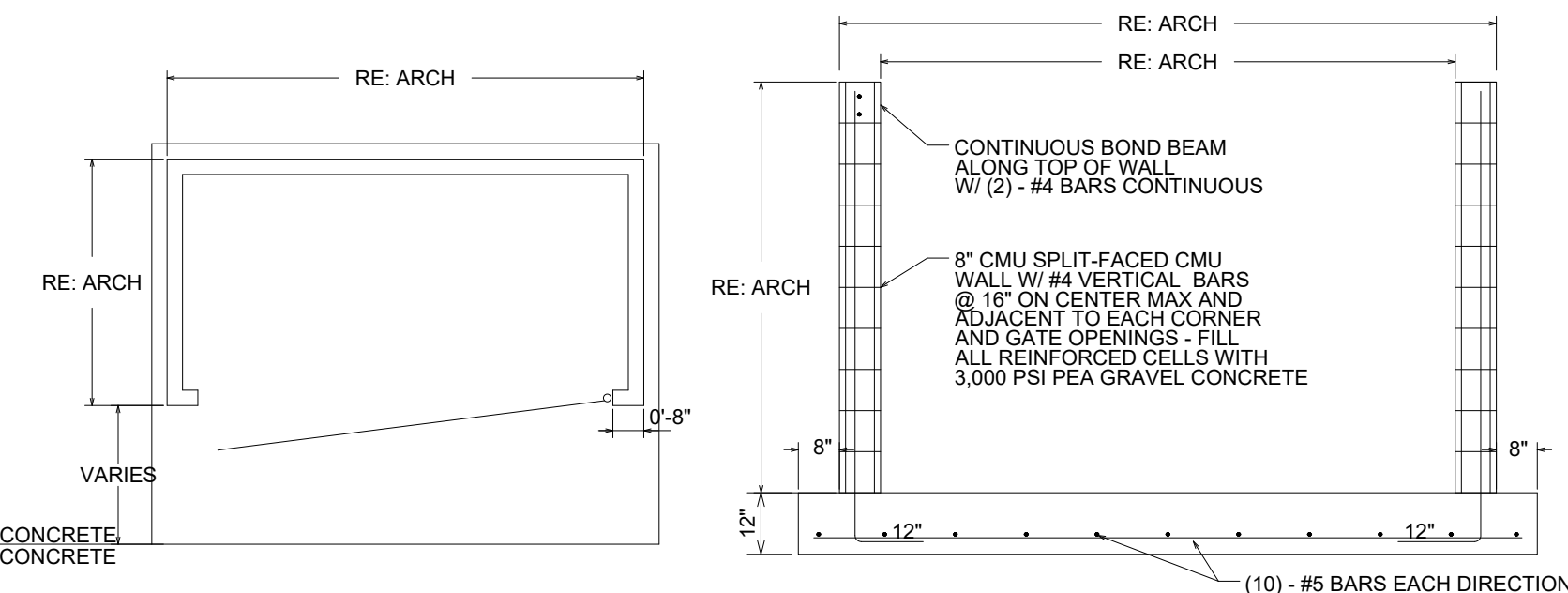
HMAC ASPHALT SURFACE COURSE NOT TO SCALE



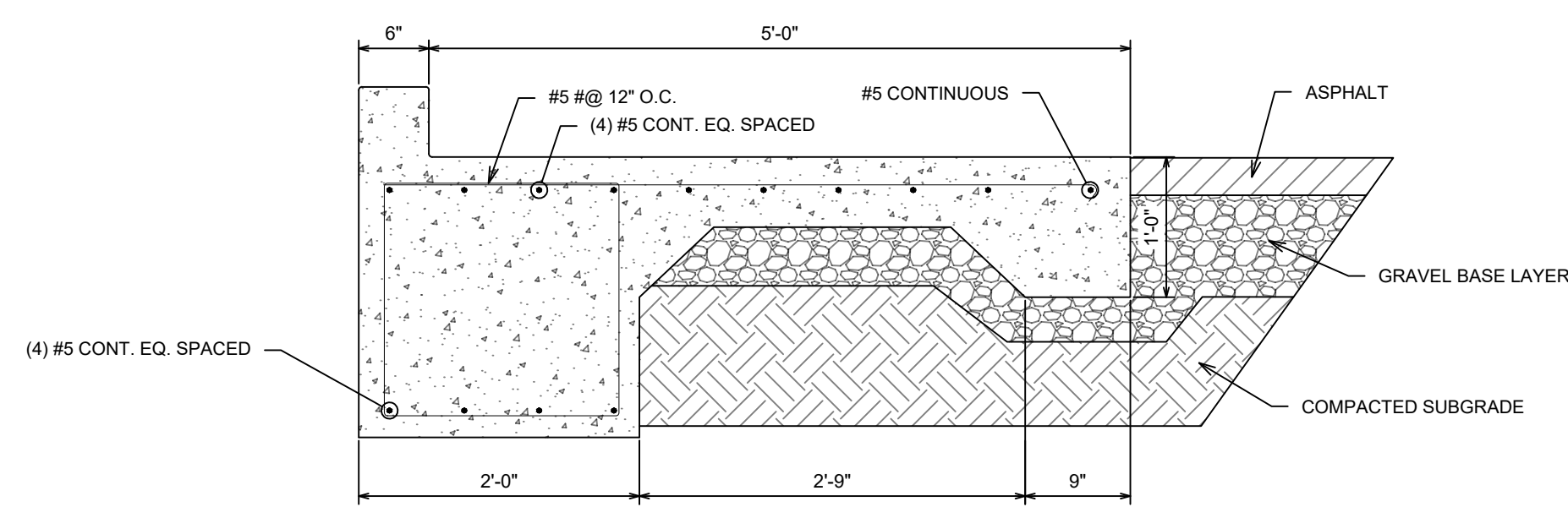
CONCRETE DRIVE SECTION NOT TO SCALE



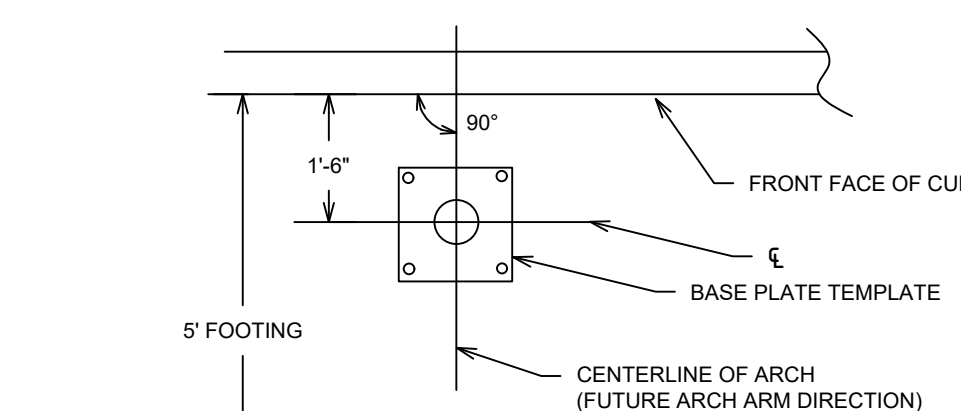
CONCRETE WALK SECTION NOT TO SCALE



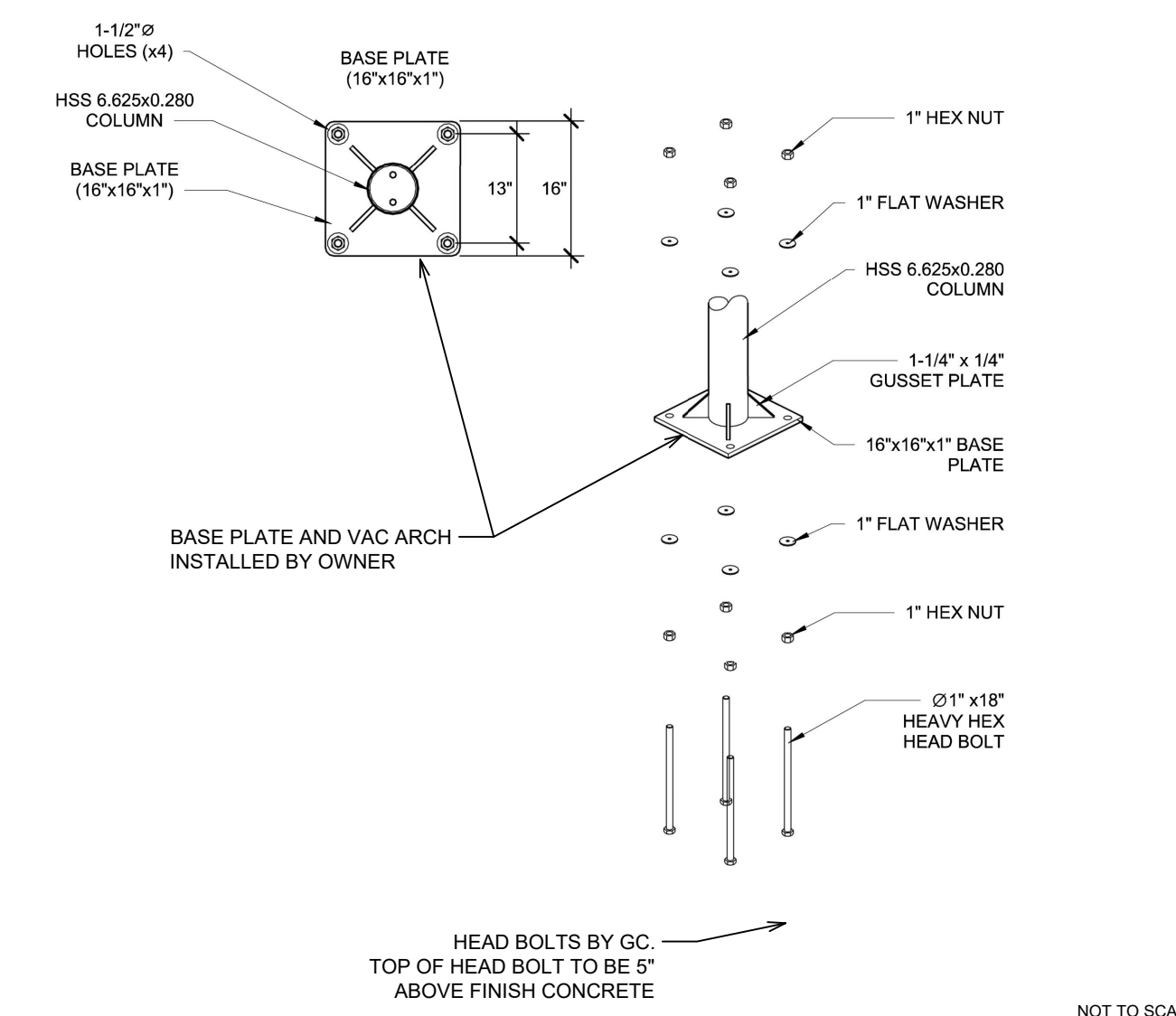
DUMPSTER PAD/ENCLOSURE DETAIL NOT TO SCALE



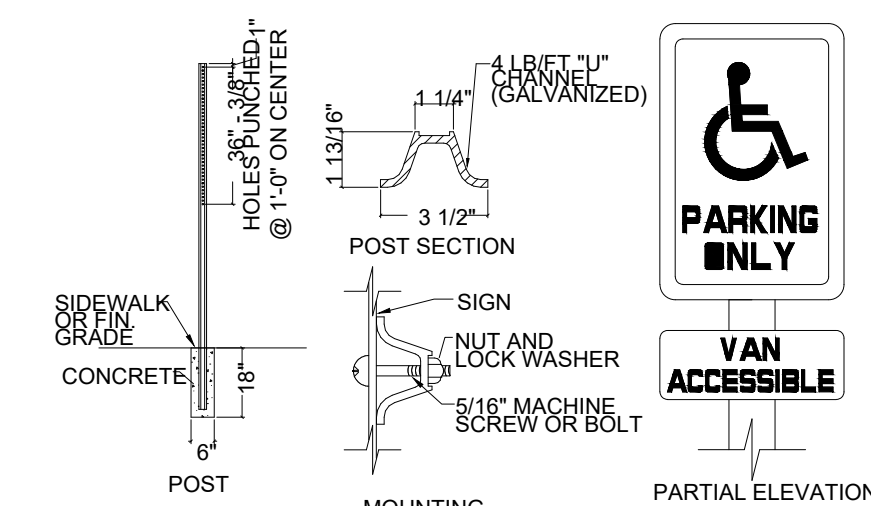
CONCRETE VACCUM FOOTING DETAIL NOT TO SCALE



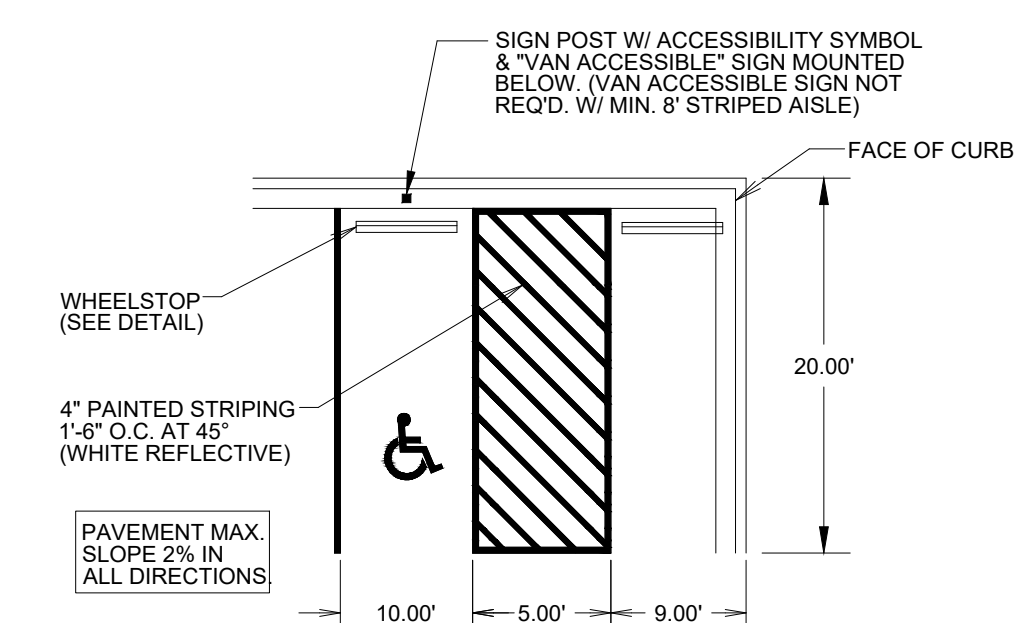
BASEPLATE TEMPLATE ORIENTATION DETAIL NOT TO SCALE



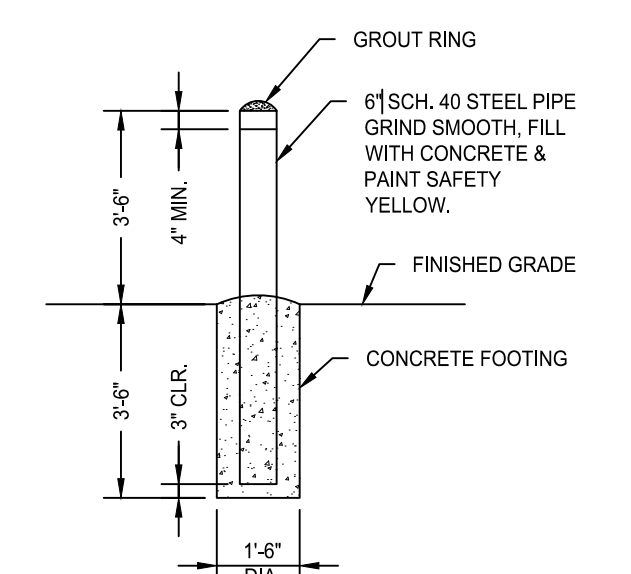
BASEPLATE DETAIL NOT TO SCALE



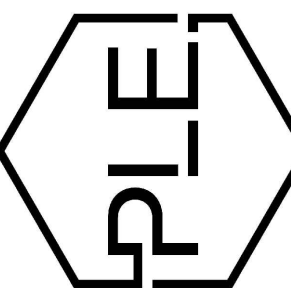
HANDICAP SIGN DETAIL NOT TO SCALE



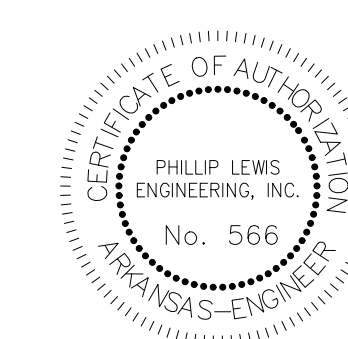
TYPICAL ACCESSIBLE PARKING STALLS



BOLLARD DETAIL NOT TO SCALE



REVISION:



PROJECT NUMBER:

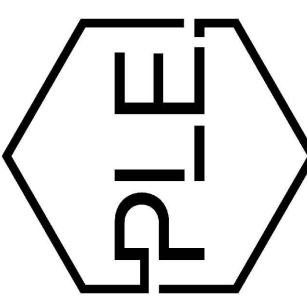
SHEET ISSUE DATE:
5/11/2022

PAGE TITLE:

SITE DETAILS

SHEET NUMBER:

C-1.4



REVISION:

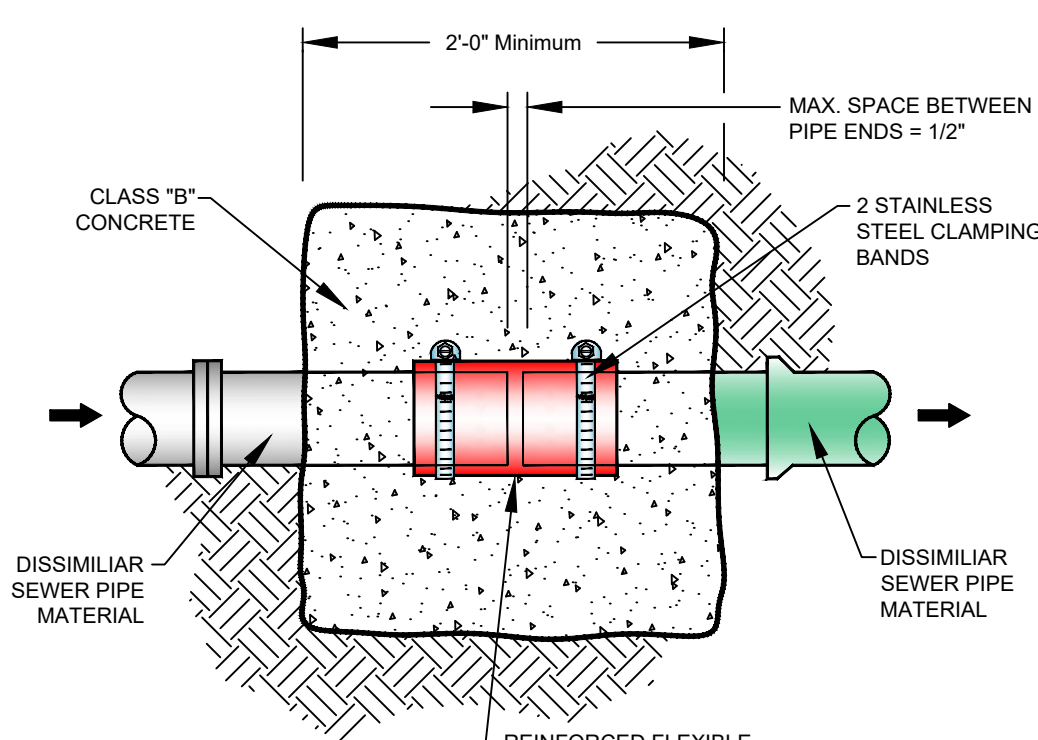
PROJECT NAME
CITY, STATE

PROJECT NUMBER:

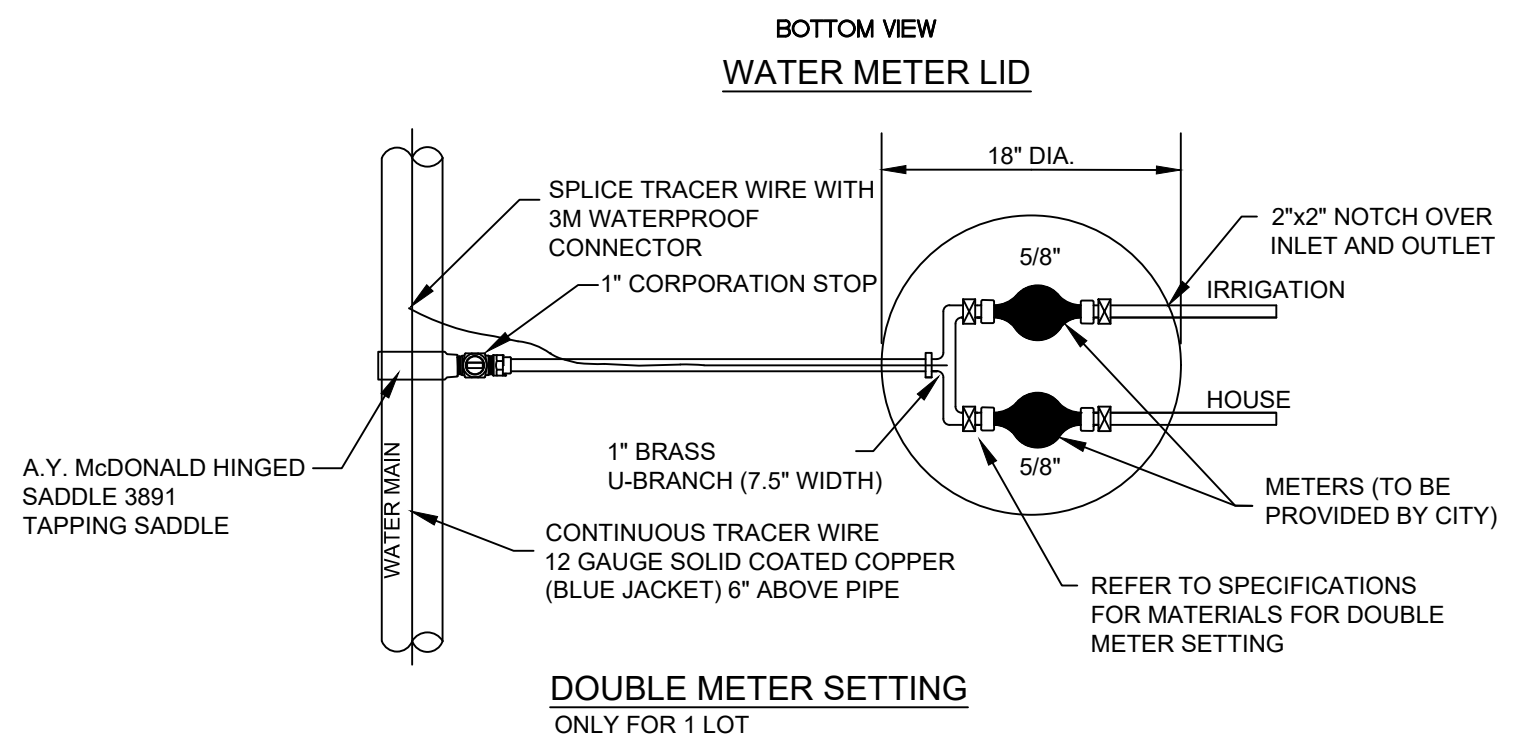
SHEET ISSUE DATE:
08-30-2021

PAGE TITLE:

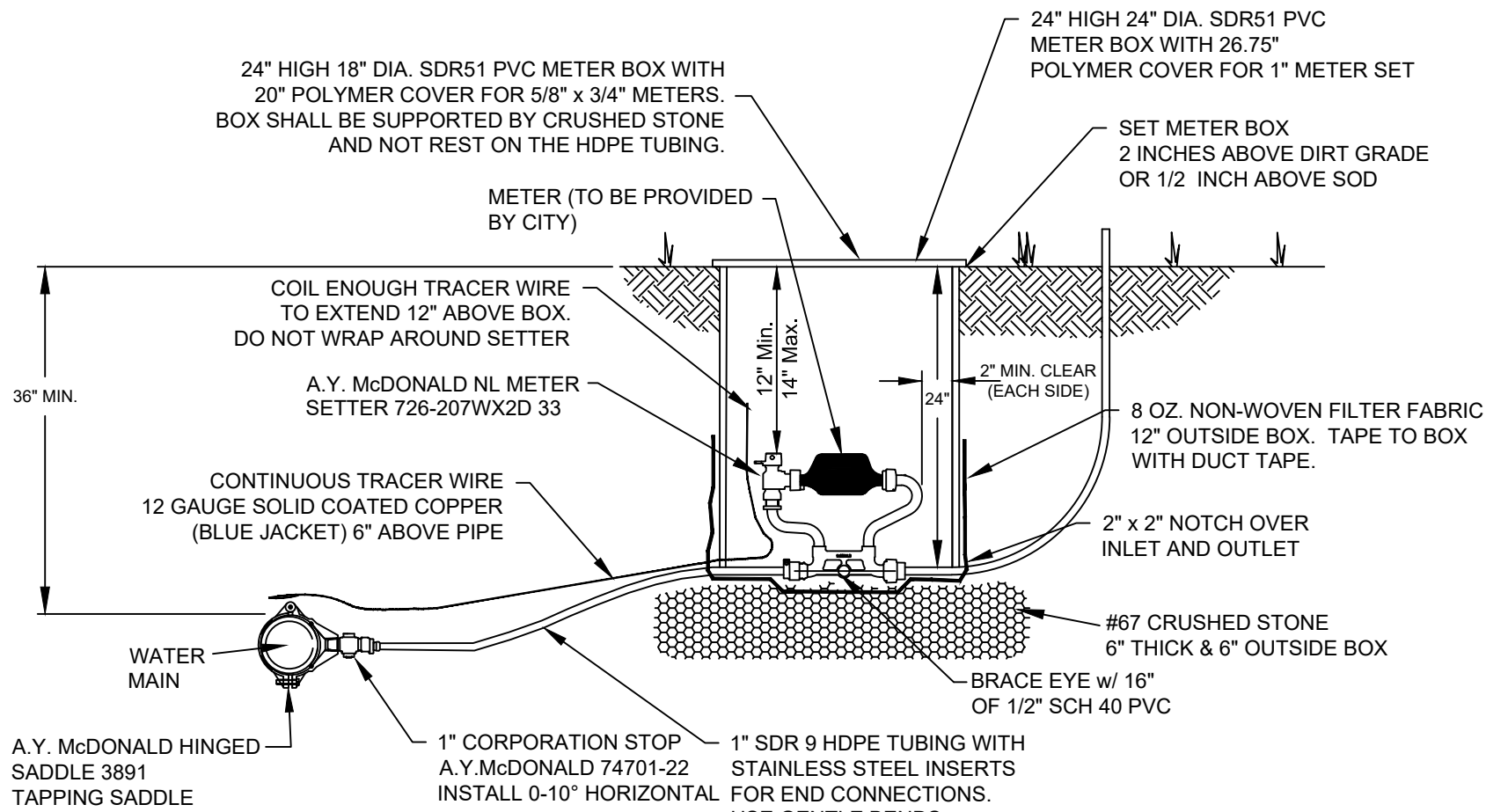
SHEET NUMBER:
2



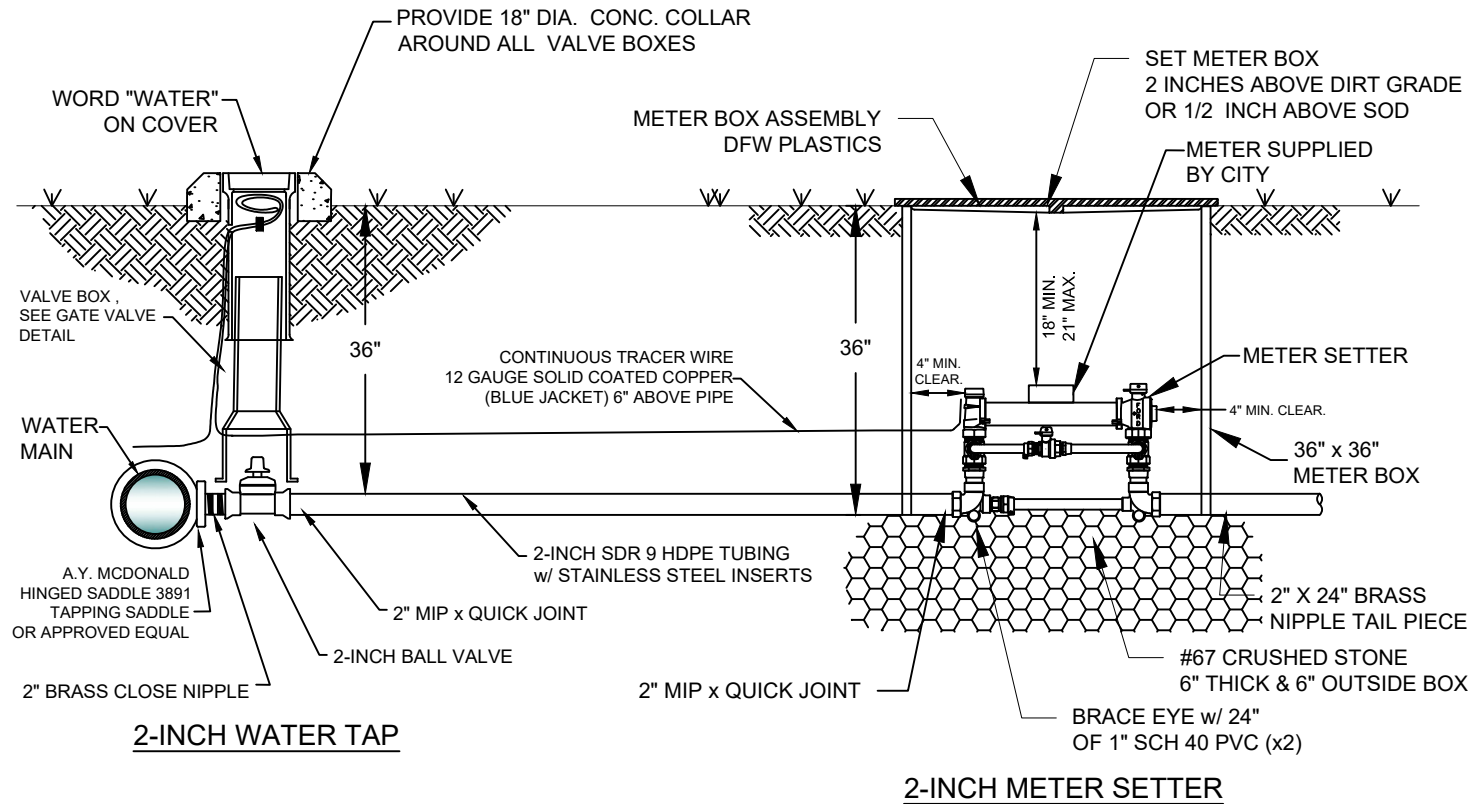
REINFORCE FLEXIBLE COUPLING



DOUBLE METER SETTING
ONLY FOR 1 LOT

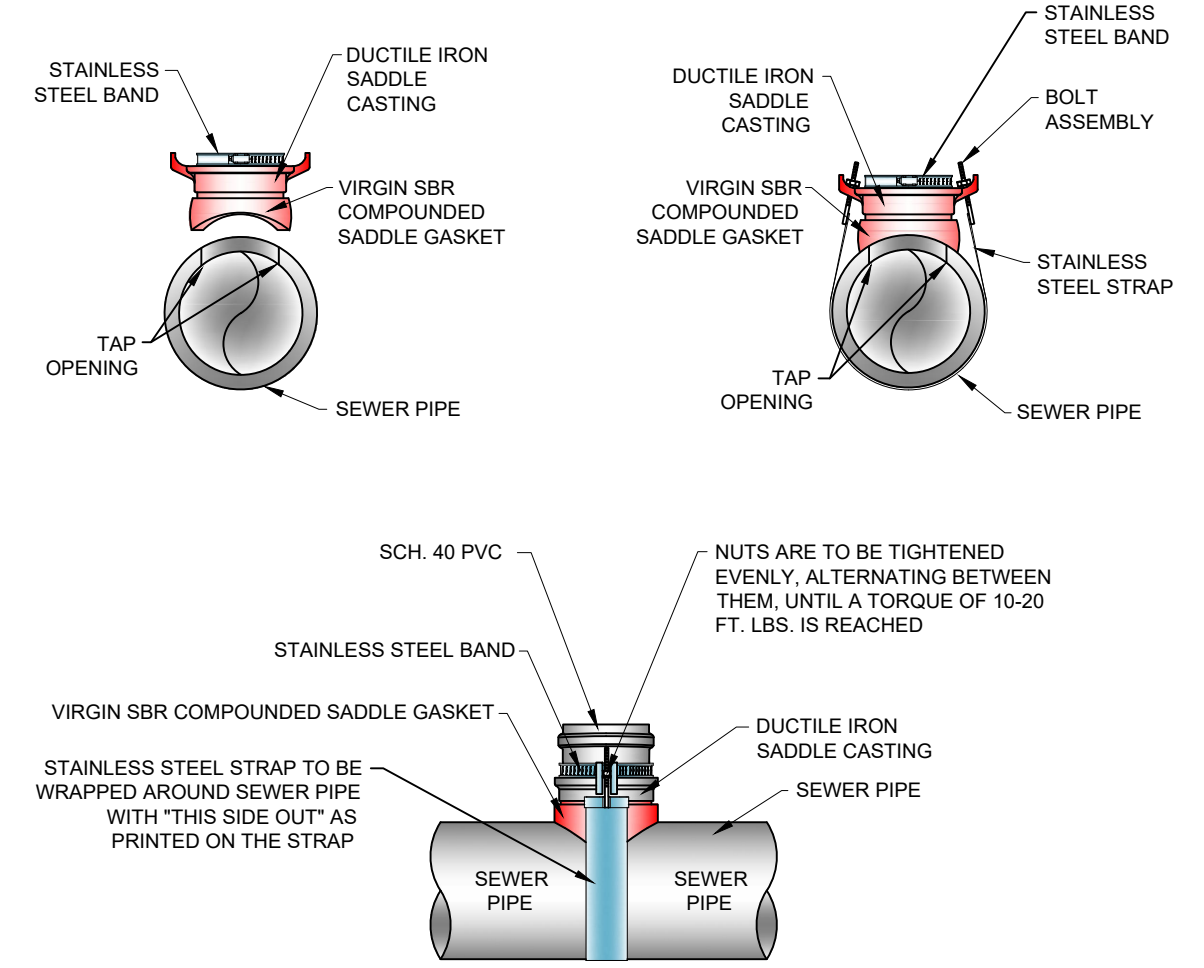


SINGLE METER SETTING

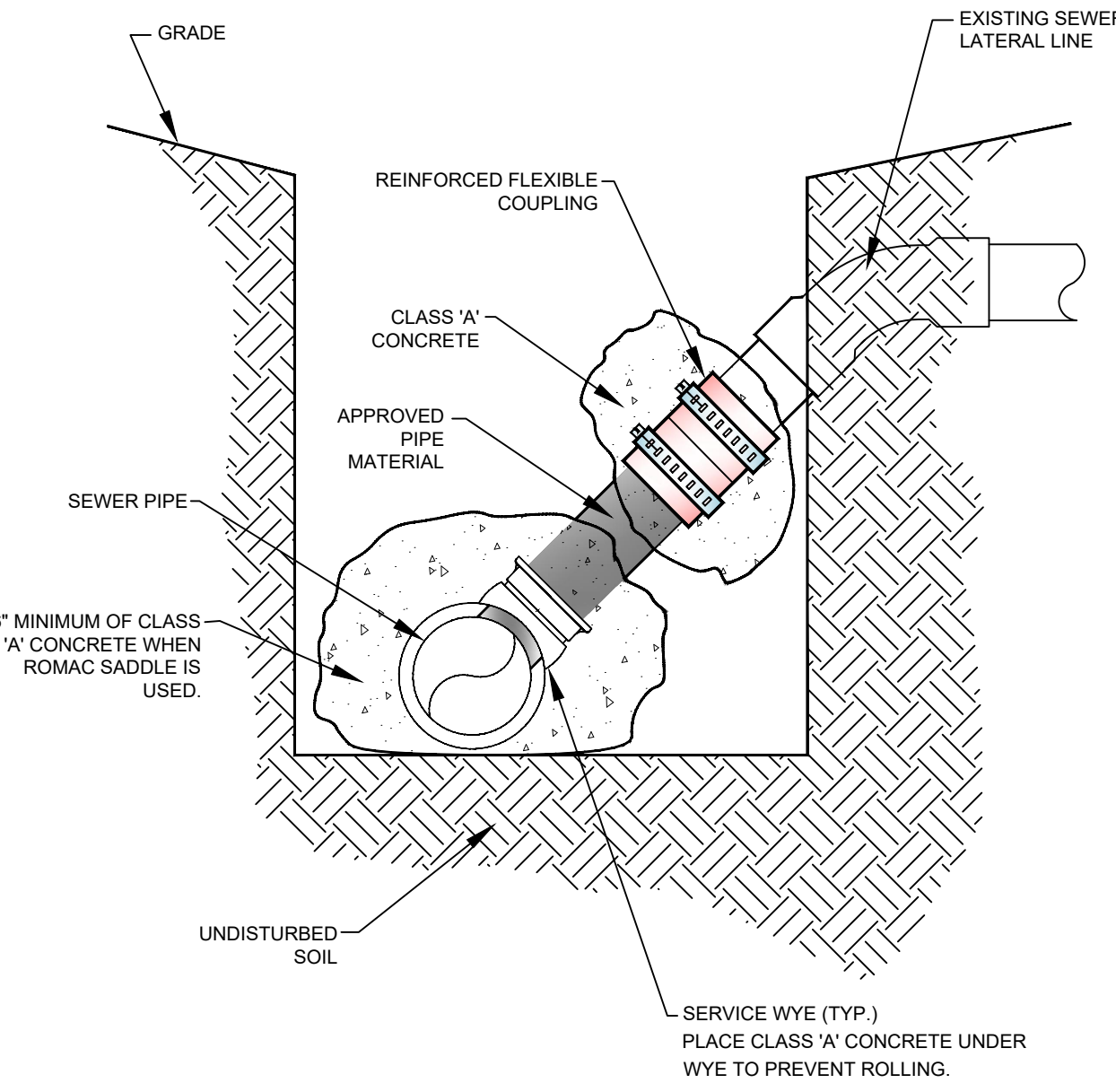


- NOTES:
- COORDINATE INSTALLATION AND CONFIGURATION OF ALL 1-1/2" AND LARGER METER SETTINGS WITH THE CITY.
 - ALL METER BOXES SHALL BE INSTALLED IN NON-PAVED AREAS. ANY METER BOX THAT GETS PLACED IN A PAVED AREA SHALL BE RELOCATED AT THE OWNER'S EXPENSE BEFORE A WATER METER WILL BE INSTALLED.
 - SUPPORT METER INSTALLATION WITH 1"x24" SCH40 PVC THROUGH EACH BRACE EYE.

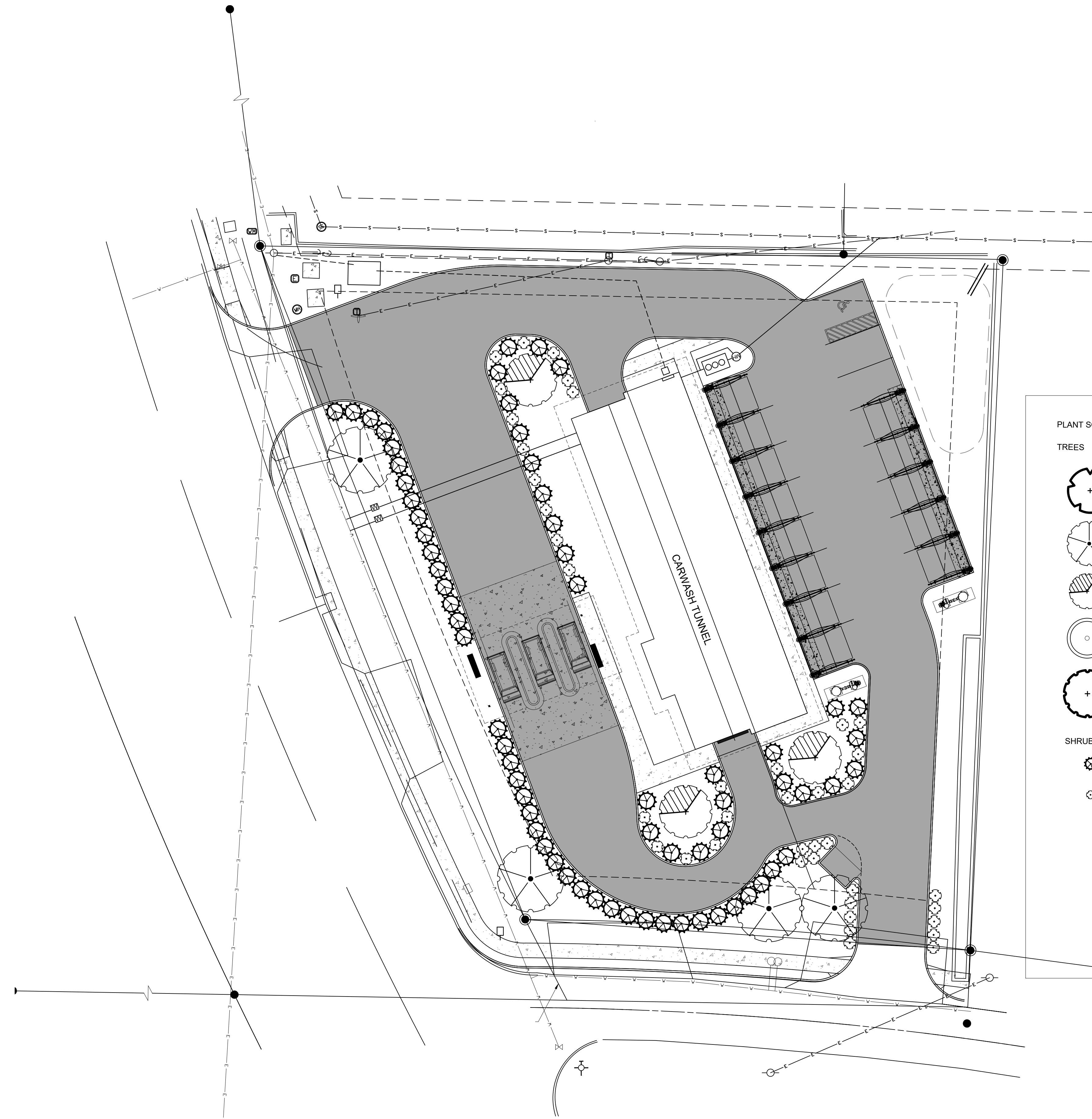
2" WATER SERVICE AND WATER METER



SEWER SERVICE SADDLE



CONNECTION TO EXISTING SERVICE



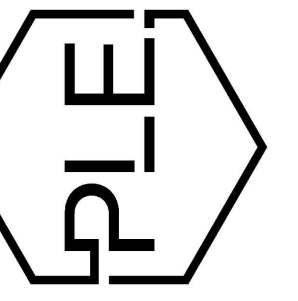
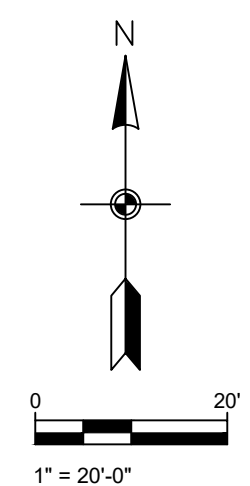
LANDSCAPING PLAN

SCALE 1" = 20'

PLANT SCHEDULE

TREES

CODE	QTY	COMMON	BOTANICAL NAME	CONT	CAL / SIZE
WP	0	WHITE PINE	PINUS ALBA	B&B	2.5" CAL
SM	5	NORWEGIAN SUNSET MAPLE	ACER 'NORWEGIAN SUNSET'	B&B	2.5" CAL
RB	3	RIVER BIRCH 'HERITAGE'	BETULA NIGRA 'CULLY'	B&B	2.5" CAL
CO	0	COLUMNAR OAK 'CRIMSON SPIRE'	QUERCUS ROBUR 'CRIMSCHMIDT'	B&B	2.5" CAL
WO	0	WILLOW OAK (EXISTING)	QUERCUS PHELLOS 'HIGHTOWER'	N/A	N/A
SHRUBS					
IH	66	PINK LADY INDIAN HAWTHORN	RHAPHIOLEPIS INDICA 'PINK LADY'	CONT	5 GAL
EA	40	ENCORE AZALEA AUTUMN CHEER	RHODODENDRON 'CONLEF'	CONT	3 GAL (MIN 18" TALL AT INSTALLATION)



REVISION:

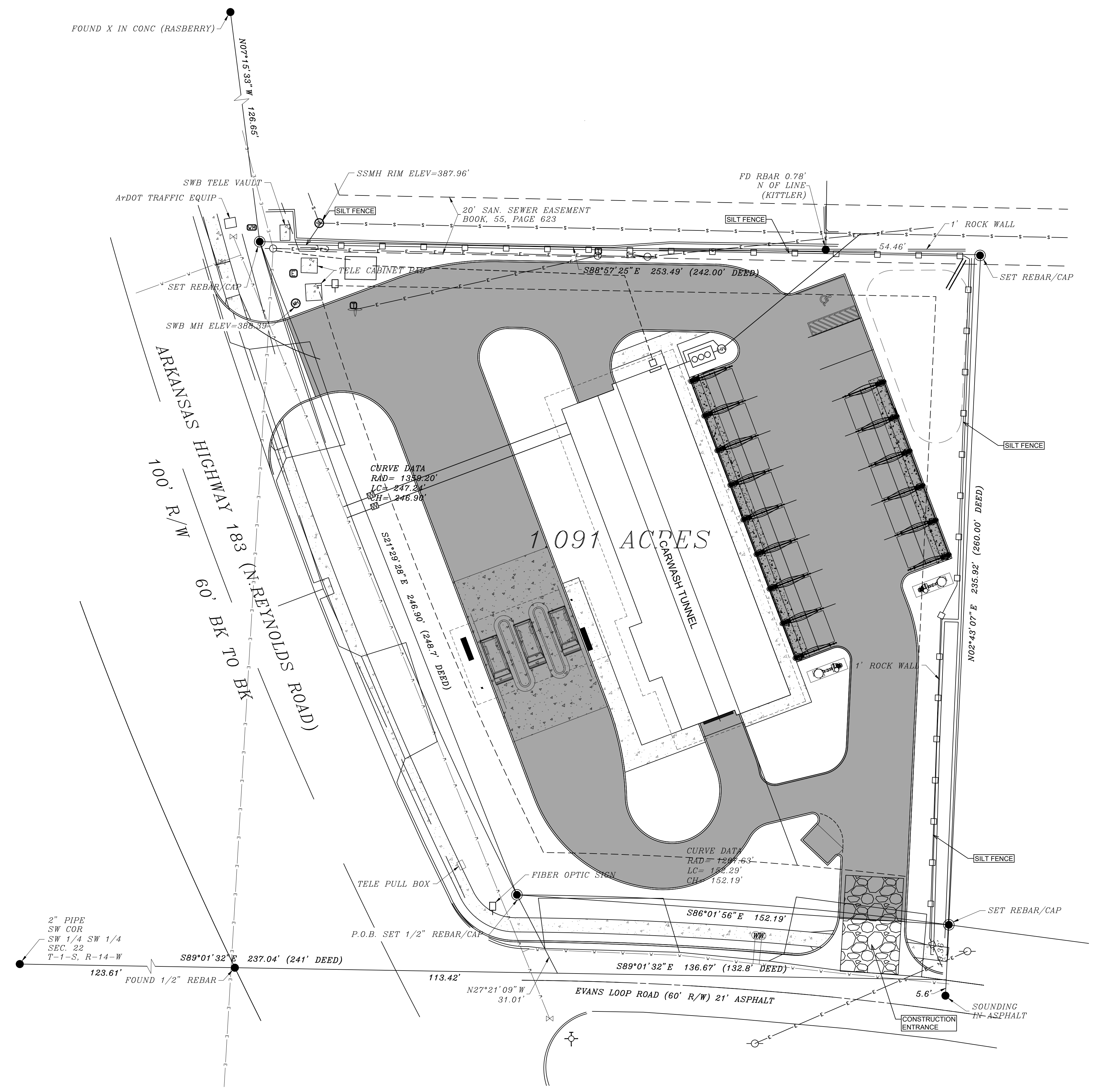
PROJECT NAME
CITY, STATE

PROJECT NUMBER:

SHEET ISSUE DATE:
08-30-2021

PAGE TITLE:

SHEET NUMBER:
2



GENERAL CONSTRUCTION NOTES

- A. THE CONTRACTOR WILL BE HELD SOLELY RESPONSIBLE FOR DAMAGES OCCURRING TO ANY PROPERTY DURING THE CONSTRUCTION OF THIS PROJECT. SAID CONTRACTOR SHALL TAKE ALL NECESSARY PRECAUTIONS TO PREVENT PROPERTY DAMAGE.
- B. IN ACCORDANCE WITH GENERALLY ACCEPTED CONSTRUCTION PRACTICES, THE CONTRACTOR WILL SOLELY AND COMPLETELY BE RESPONSIBLE FOR CONDITIONS OF THE JOB SITE, INCLUDING SAFETY WORK. THIS REQUIREMENT WILL APPLY CONTINUOUSLY AND WILL NOT BE LIMITED TO NORMAL WORKING HOURS.
THE DUTY OF BRYANT TO CONDUCT CONSTRUCTION INSPECTION REVIEWS OF THE CONTRACTOR'S PERFORMANCE IS NOT AN INSPECTION OR REVIEW OF THE ADEQUACY OF THE CONTRACTOR'S SAFETY MEASURES IN, ON, OR NEAR THE CONSTRUCTION SITE.
- C. ALL WATER AND SEWER IMPROVEMENTS SHALL BE CONSTRUCTED IN ACCORDANCE WITH THE LATEST REVISION TO THE CITY OF BRYANT'S WATER AND WASTEWATER (SANITARY SEWER) STANDARD SPECIFICATIONS.
- D. THE CONTRACTOR IS SPECIFICALLY CAUTIONED THAT THE LOCATION AND/OR ELEVATION OF EXISTING UTILITIES AS SHOWN ON THESE PLANS IS BASED ON RECORDS OF THE VARIOUS UTILITY COMPANIES AND, WHERE POSSIBLE, MEASUREMENTS TAKEN IN THE FIELD. THE INFORMATION IS NOT TO BE RELIED ON AS BEING EXACT OR COMPLETE. THE CONTRACTOR MUST CALL THE APPROPRIATE UTILITY COMPANY AT LEAST 48 HOURS BEFORE ANY EXCAVATION TO REQUEST EXACT FIELD LOCATION OF ALL UTILITIES. IT SHALL BE THE RESPONSIBILITY OF THE CONTRACTOR TO LOCATE ALL EXISTING UTILITIES WHICH CONFLICT WITH PROPOSED IMPROVEMENTS SHOWN ON THE PLAN.
- E. CONTRACTOR IS TO REMOVE AND DISPOSE OF ALL DEBRIS, RUBBISH, AND OTHER MATERIALS RESULTING FROM PREVIOUS AND CURRENT DEMOLITION OPERATIONS. DISPOSAL WILL BE IN ACCORDANCE WITH ALL LOCAL, STATE AND/OR FEDERAL REGULATIONS GOVERNING SUCH OPERATIONS.
- F. PRIOR TO INSTALLATION OF ANY UTILITIES, THE CONTRACTOR IS TO EXCAVATE, VERIFY AND CALCULATE ALL CROSSINGS AND INFORM ANY AND ALL UTILITIES OF ANY CONFLICTS PRIOR TO CONSTRUCTION.
- G. CONSTRUCTION SHALL NOT START ON ANY WATER UTILITY TIE-INS UNTIL APPROVAL IS GIVEN BY BRYANT WATER. SAID CONTRACTOR SHALL NOT OPERATE ANY VALVE, HYDRANT, OR WATER UTILITY APPURTENANCE NOR SHALL HE ATTACH TO OR TAP ANY WATER UTILITY MAIN WITHOUT APPROVAL. THE CONTRACTOR SHALL BEAR THE COST AND CONSEQUENCE OF ANY DISRUPTION OF UTILITY OPERATION CAUSED BY CONSTRUCTION.
- H. FIBER OPTIC CABLE ON AND/OR ADJACENT TO THIS SITE WERE NOT LOCATED BY THE SURVEY AND ARE NOT SHOWN. IT IS THE RESPONSIBILITY OF THE CONTRACTOR TO LOCATE ANY FIBER OPTIC CABLES ASSOCIATED WITH THIS SITE AND TAKE ALL NECESSARY AND REQUIRED PRECAUTIONS TO PROTECT ANY EXISTING FIBER OPTIC CABLES. CONTRACTORS SHALL COORDINATE ALL EFFORTS WITH OWNER OF FIBER OPTIC CABLES OR THEIR DESIGNATED REPRESENTATIVE.
- J. THE CONTRACTOR IS RESPONSIBLE FOR CONTACTING "ONECALL" SERVICE TO MARK ALL UTILITIES PRIOR TO ANY DEMOLITION, EARTHWORK, OR UTILITY WORK ON THIS SITE.

PHILLIP LEWIS ENGINEERING, INC.
Structural + Civil Consultants
23620 Interstate 30 | Bryant, Arkansas
PH: 501-350-9840

REVISION:

SPLASH CARWASH
BRYANT, ARKANSAS

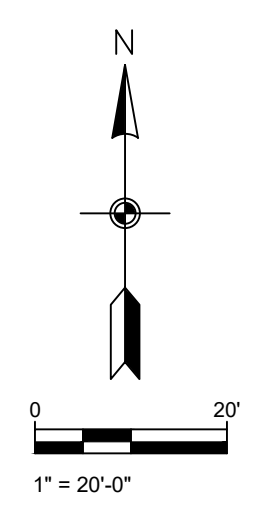
PROJECT NUMBER:
SHEET ISSUE DATE:
5/11/2022
PAGE TITLE:
STORM WATER POLLUTION PREVENTION PLAN
SHEET NUMBER:

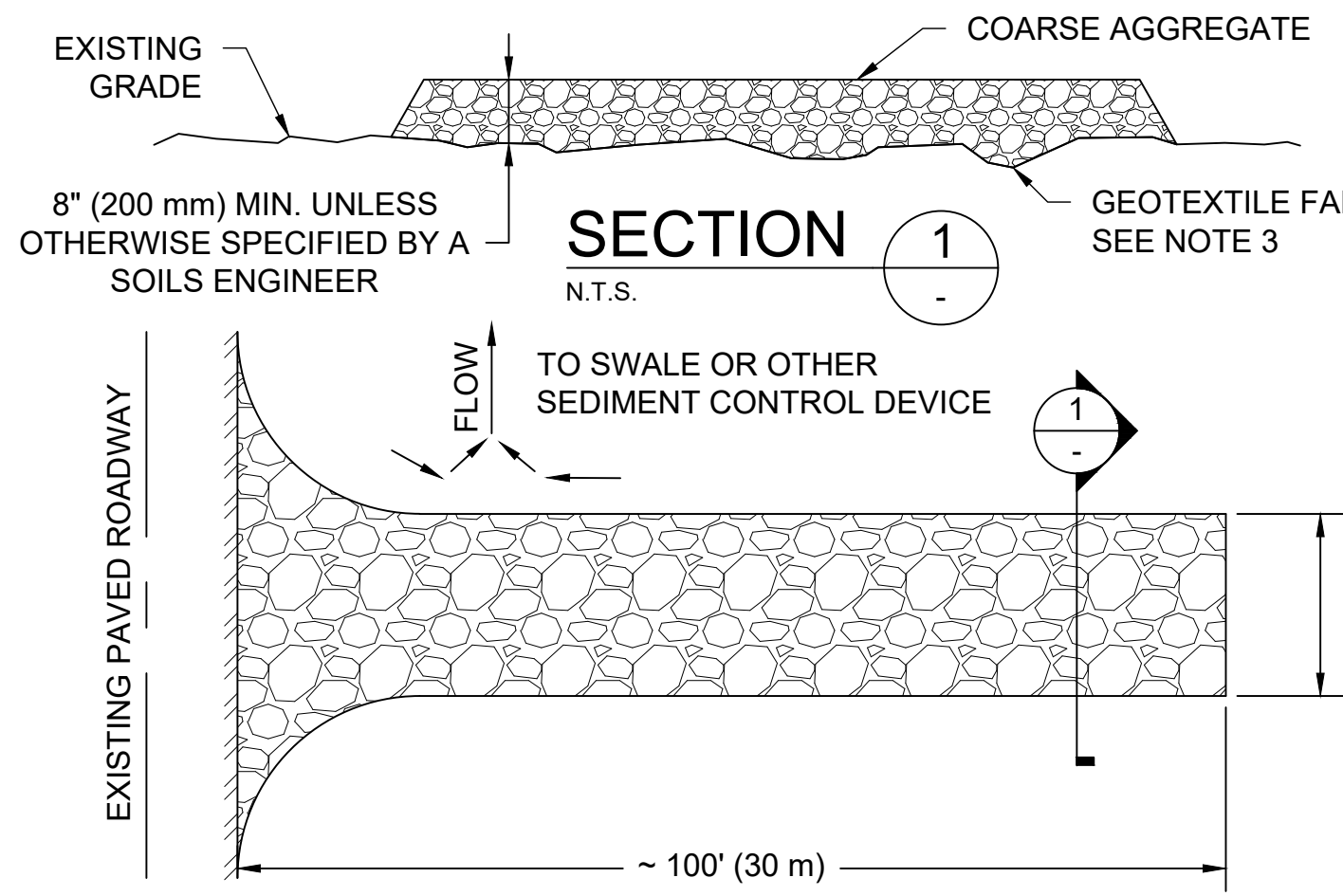
C-1.7

STORM WATER PREVENTION PLAN

G = GUTTER ELEVATION
TC = TOP OF CURB ELEVATION

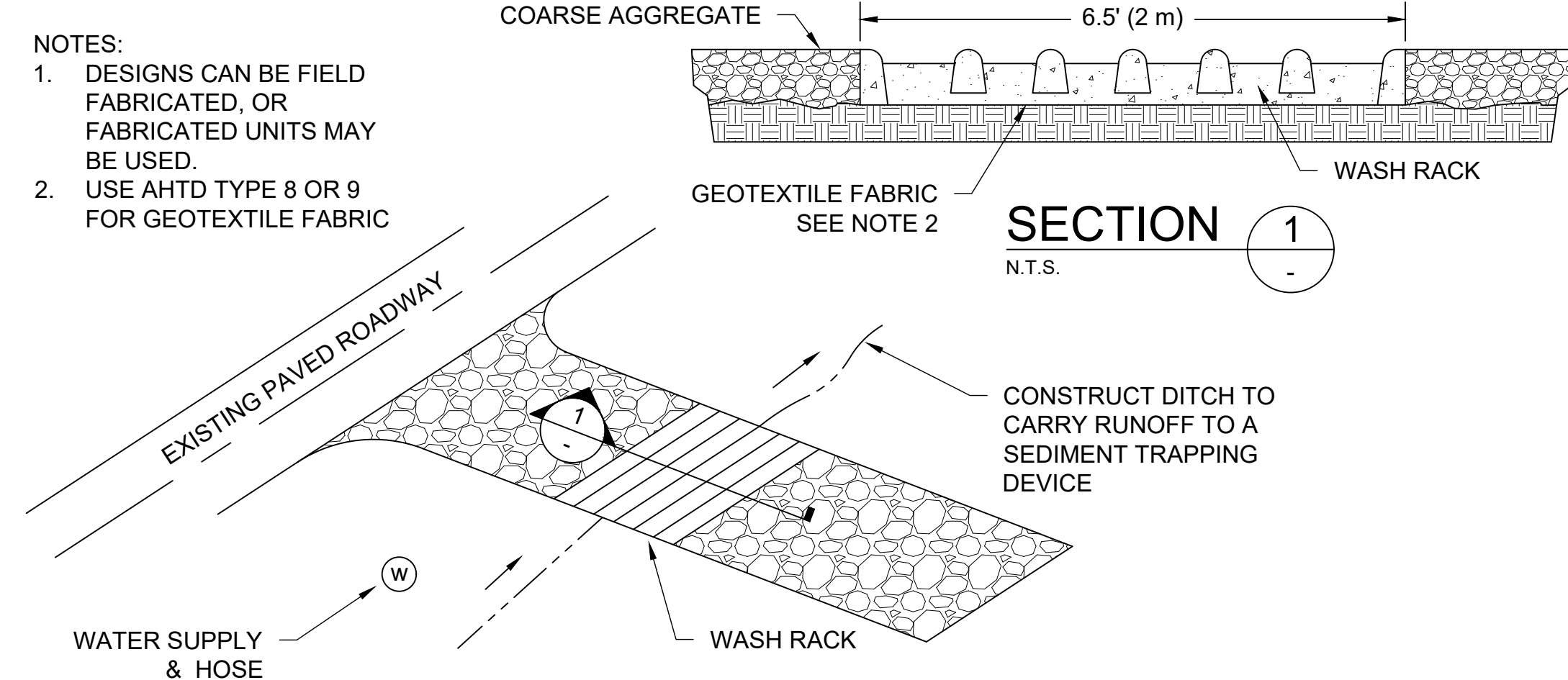
SCALE 1" = 20'





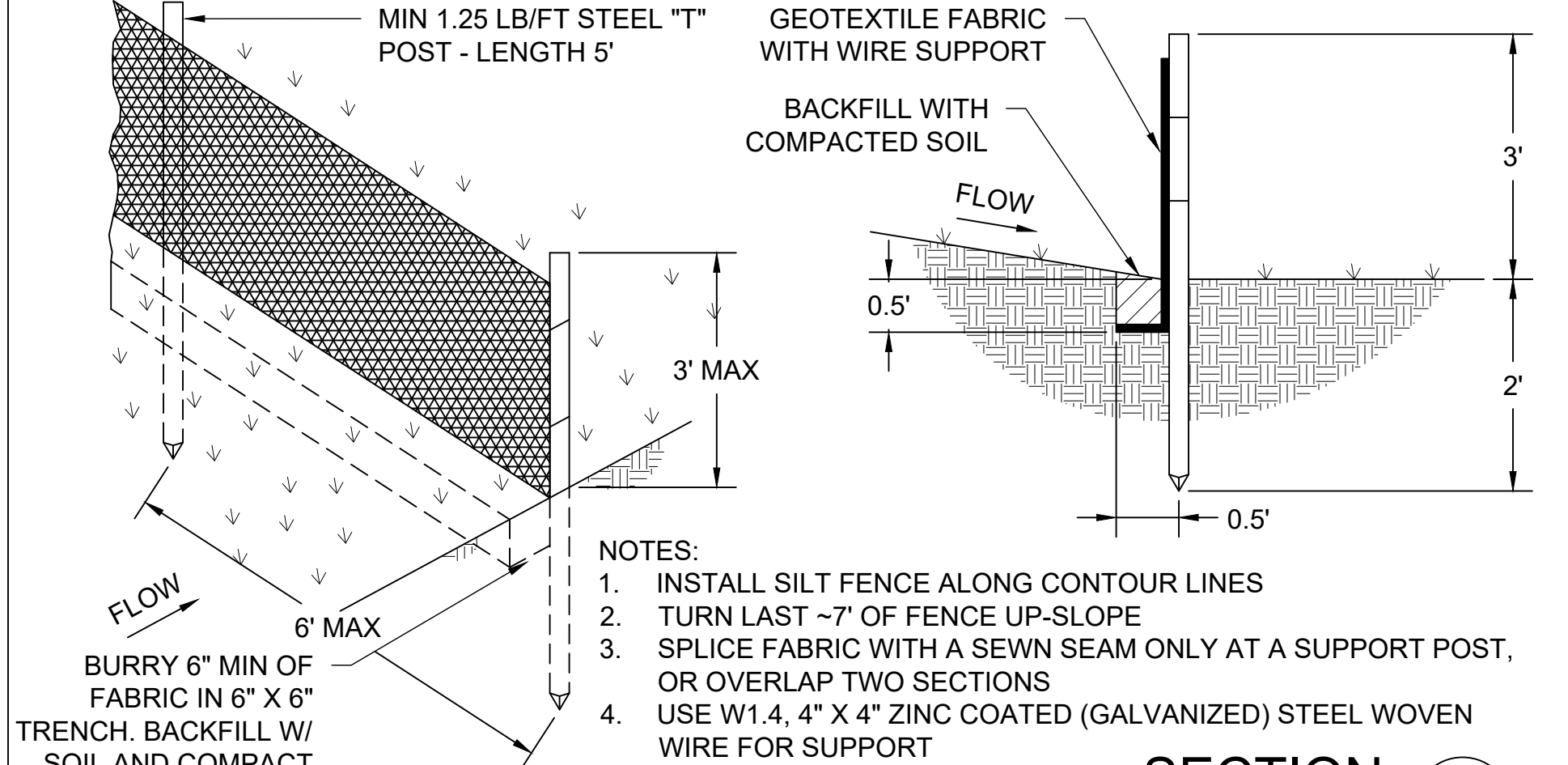
- NOTES:
1. CONSTRUCT SEDIMENT BARRIER AND CHANNELIZE RUNOFF TO SEDIMENT TRAPPING DEVICE
 2. DO NOT ALLOW WATER TO POND ON EITHER SIDE OF ENTRANCE
 3. USE AHTD TYPE 8 OR 9 FOR GEOTEXTILE FABRIC

TEMPORARY CONSTRUCTION ENTRANCE
DETAIL A



- NOTES:
1. DESIGNS CAN BE FIELD FABRICATED, OR FABRICATED UNITS MAY BE USED.
 2. USE AHTD TYPE 8 OR 9 FOR GEOTEXTILE FABRIC

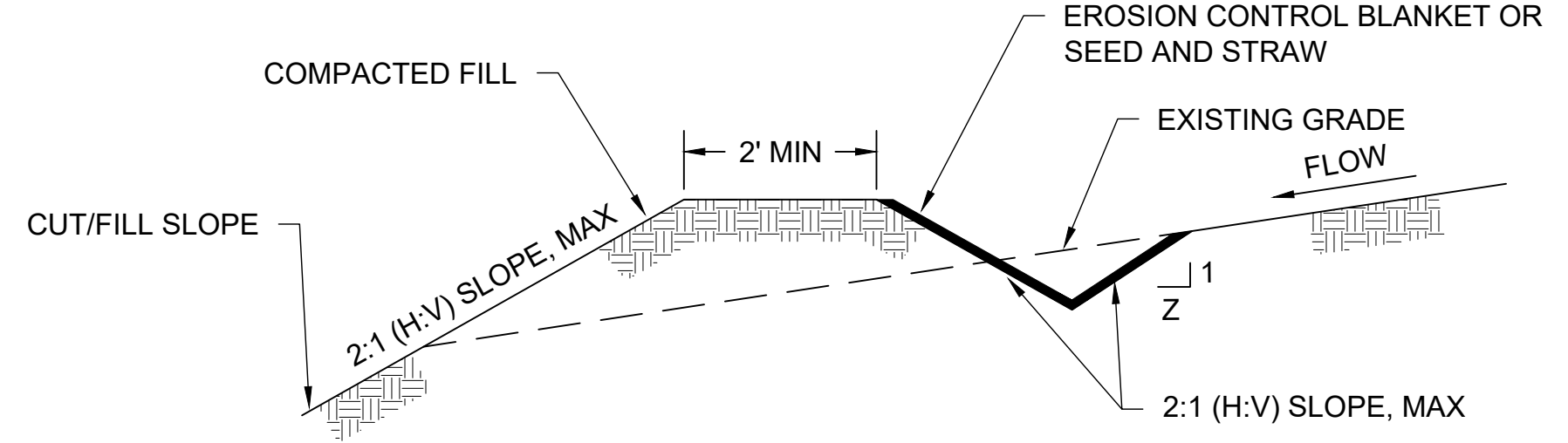
TIRE WASH
DETAIL B



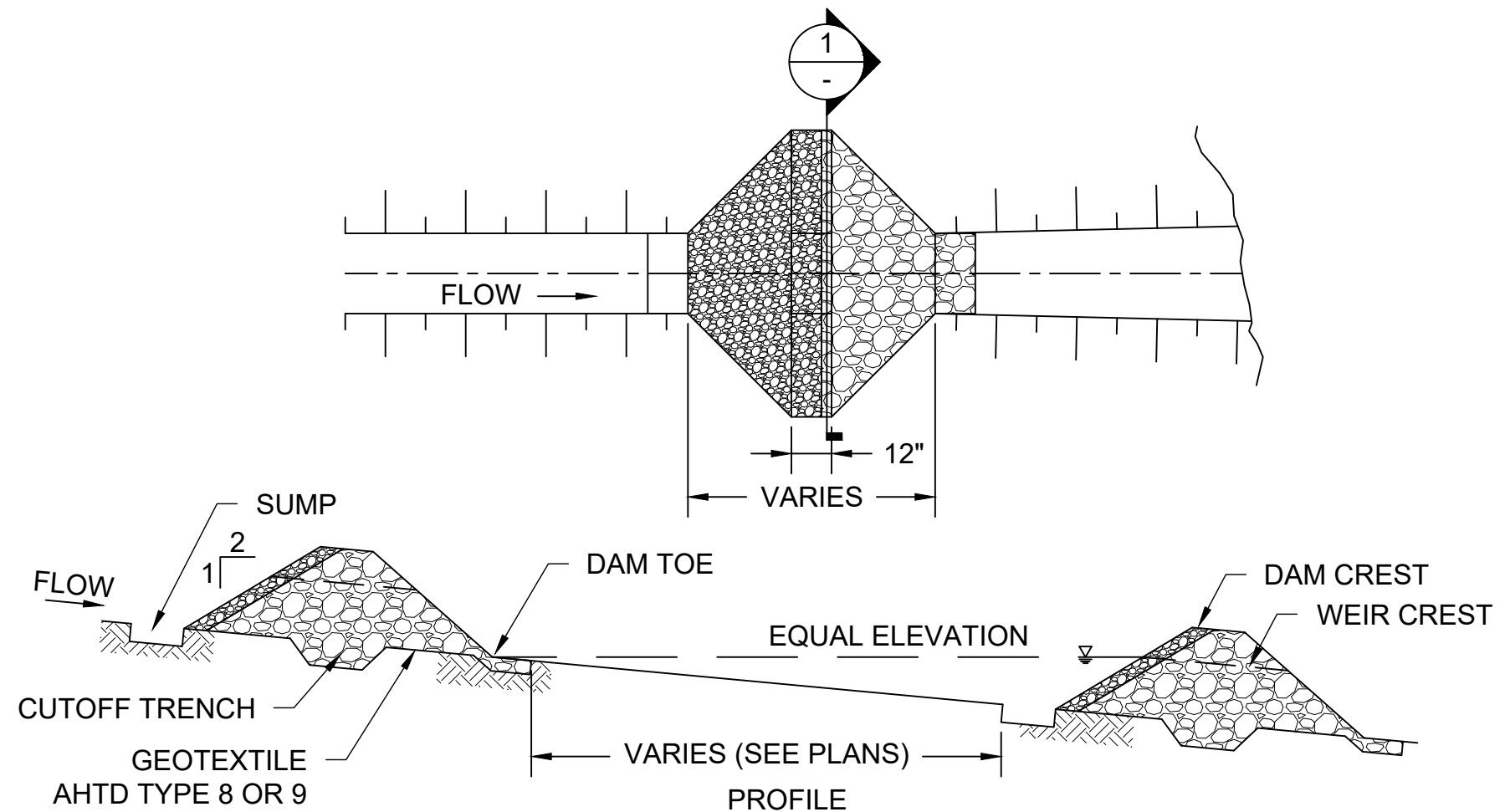
- NOTES:
1. INSTALL SILT FENCE ALONG CONTOUR LINES
 2. TURN LAST ~7' OF FENCE UP-SLOPE
 3. SPLICE FABRIC WITH A SEWN SEAM ONLY AT A SUPPORT POST, OR OVERLAP TWO SECTIONS
 4. USE W1.4, 4" X 4" ZINC COATED (GALVANIZED) STEEL WOVEN WIRE FOR SUPPORT

SILT FENCE
DETAIL C

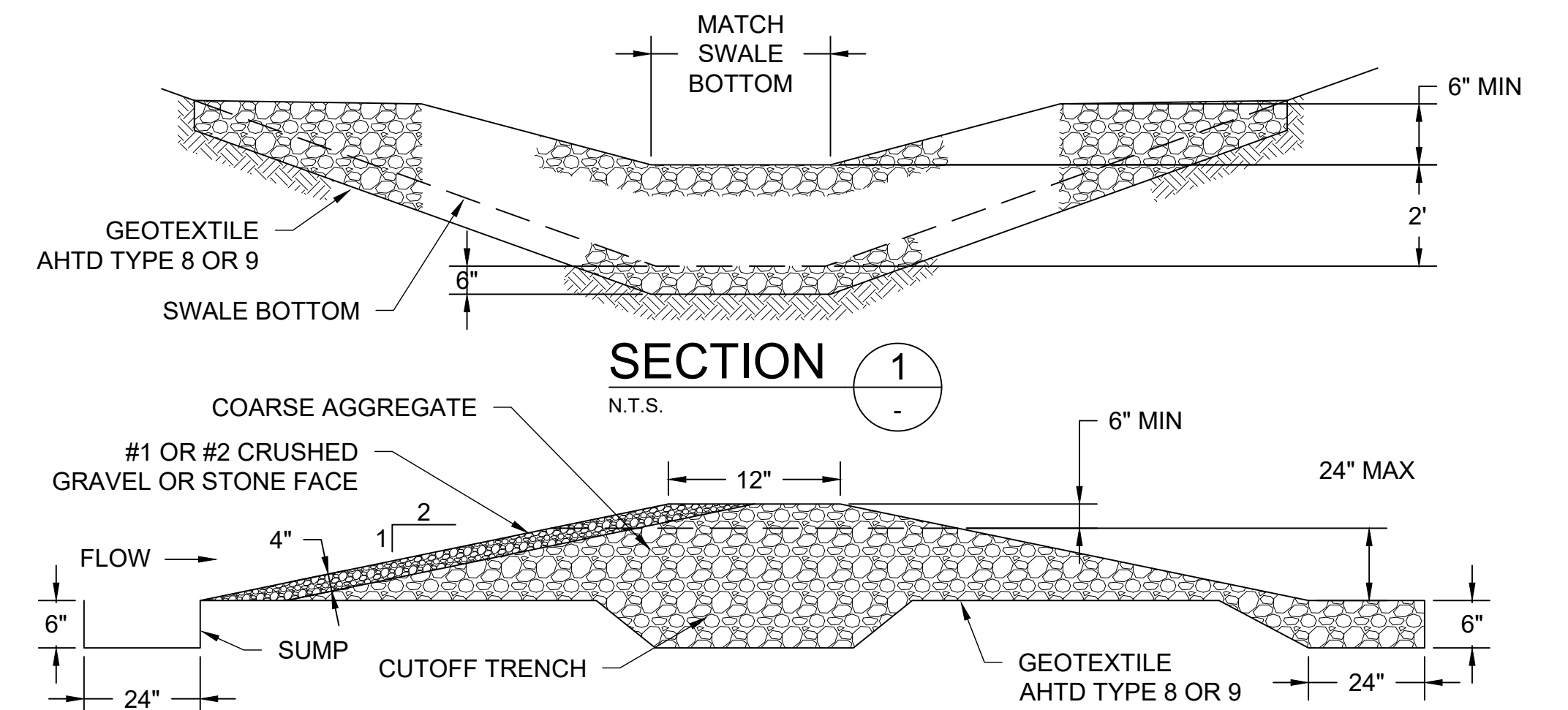
SWALE DATA					
SWALE	Z:1 (FT/FT)	DEPTH (FT)	SLOPE (%)	VELOCITY (FPS)	Q (CFS)



TEMPORARY DIVERSION BERM/SWALE
DETAIL D



ROCK CHECK DAM
DETAIL E

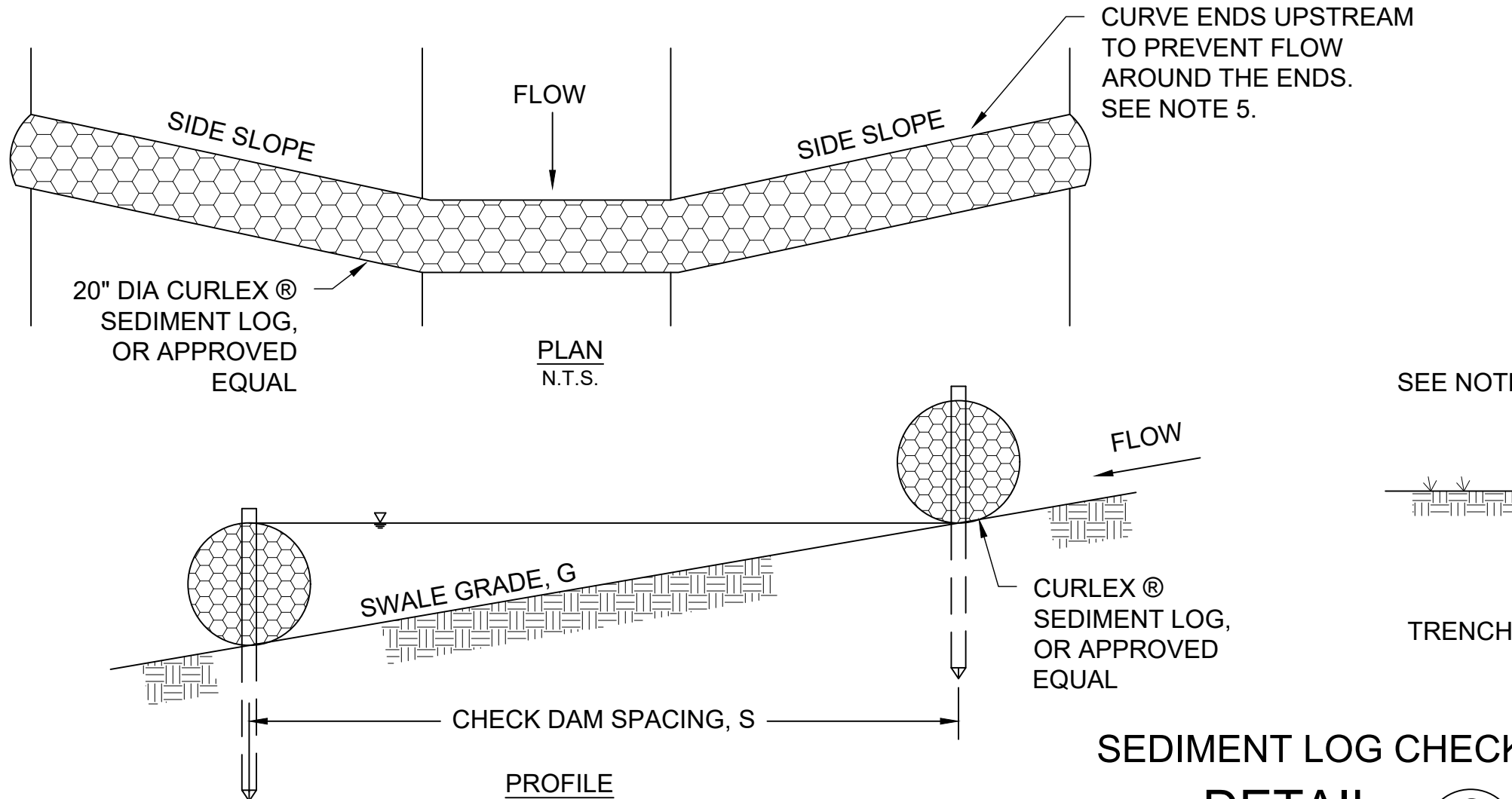


TYPICAL CROSS SECTION
SECTION 1

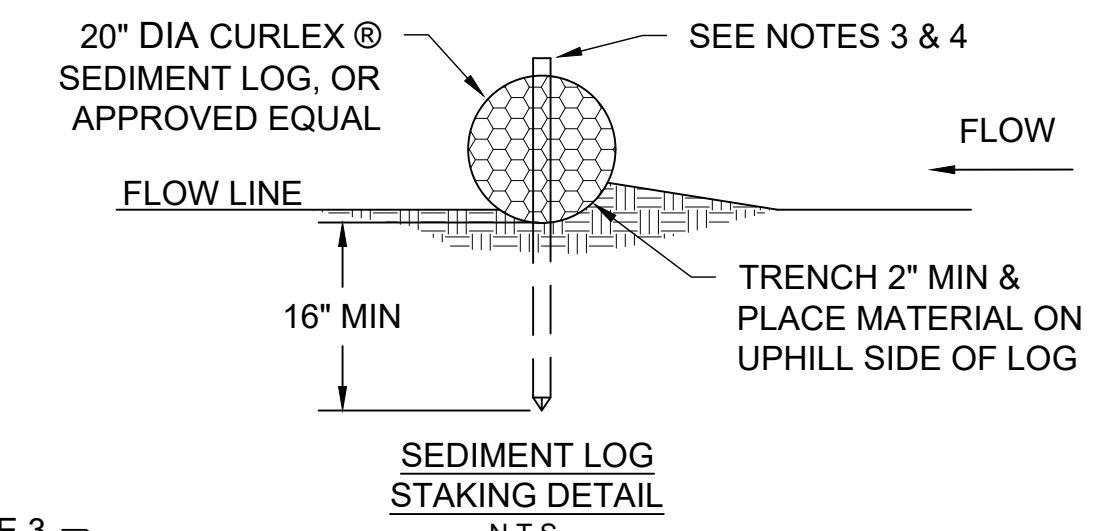
SPECIES	SEEDING RATE (LB/1,000 FT ²)	PLANTING TIME
RYE OR CEREAL GRASSES	2.3	AUG 15-JAN 20
BROWN TOP MILLET	1.25	JAN 21-AUG 14

- NOTES:
1. THE AREA DESIGNATED OR DIRECTED TO BE TEMPORARILY SEEDED DOES NOT HAVE TO BE BROUGHT TO GARDEN-LINE CONDITION, BUT SHALL BE LIGHTLY TILLED.
 2. FERTILIZER SHALL BE APPLIED AT THE RATE OF 11.5 LB/1,000 FT² OF 10-20-10 OR THE EQUIVALENT AMOUNT OF PLANT FOOD.
 3. MULCH COVER SHALL CONSIST OF STRAW FROM THRESHED RICE, OATS, WHEAT, BARLEY, OR RYE; OF WOOD EXCELSIOR, OR OF HAY OBTAINED FROM VARIOUS LEGUMES OR GRASSES SUCH AS LESPEDEZA, CLOVER, VETCH, SOYBEANS, BERMUDA, CARPET SEDGE, BAHIA, FESCUE, OR OTHER LEGUMES OR GRASSES; OR A COMBINATION THEREOF. MULCH SHALL BE DRY AND REASONABLY FREE FROM NOXIOUS WEEDS. MULCH COVER SHALL BE APPLIED AT THE RATE OF 92 LB/1,000 FT² IMMEDIATELY AFTER SEEDING AND SHALL BE SPREAD UNIFORMLY OVER THE ENTIRE AREA.
 4. FROM APRIL 1 TO DECEMBER 31, EITHER THE DAY BEFORE THE TEMPORARY SEEDING IS PLACED OR ON THE DAY OF THE TEMPORARY SEEDING OPERATION (EITHER BEFORE THE SEED IS PLACED OR AFTER THE APPLICATION OF THE MULCH COVER), A MINIMUM OF 0.5 GAL/1,000 FT² OF WATER WILL BE APPLIED.

TEMPORARY SEEDING
DETAIL F



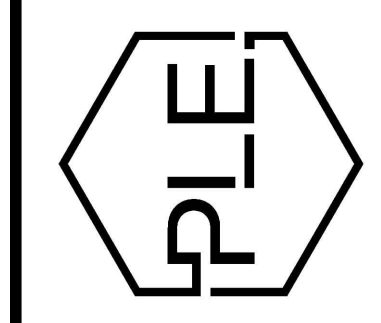
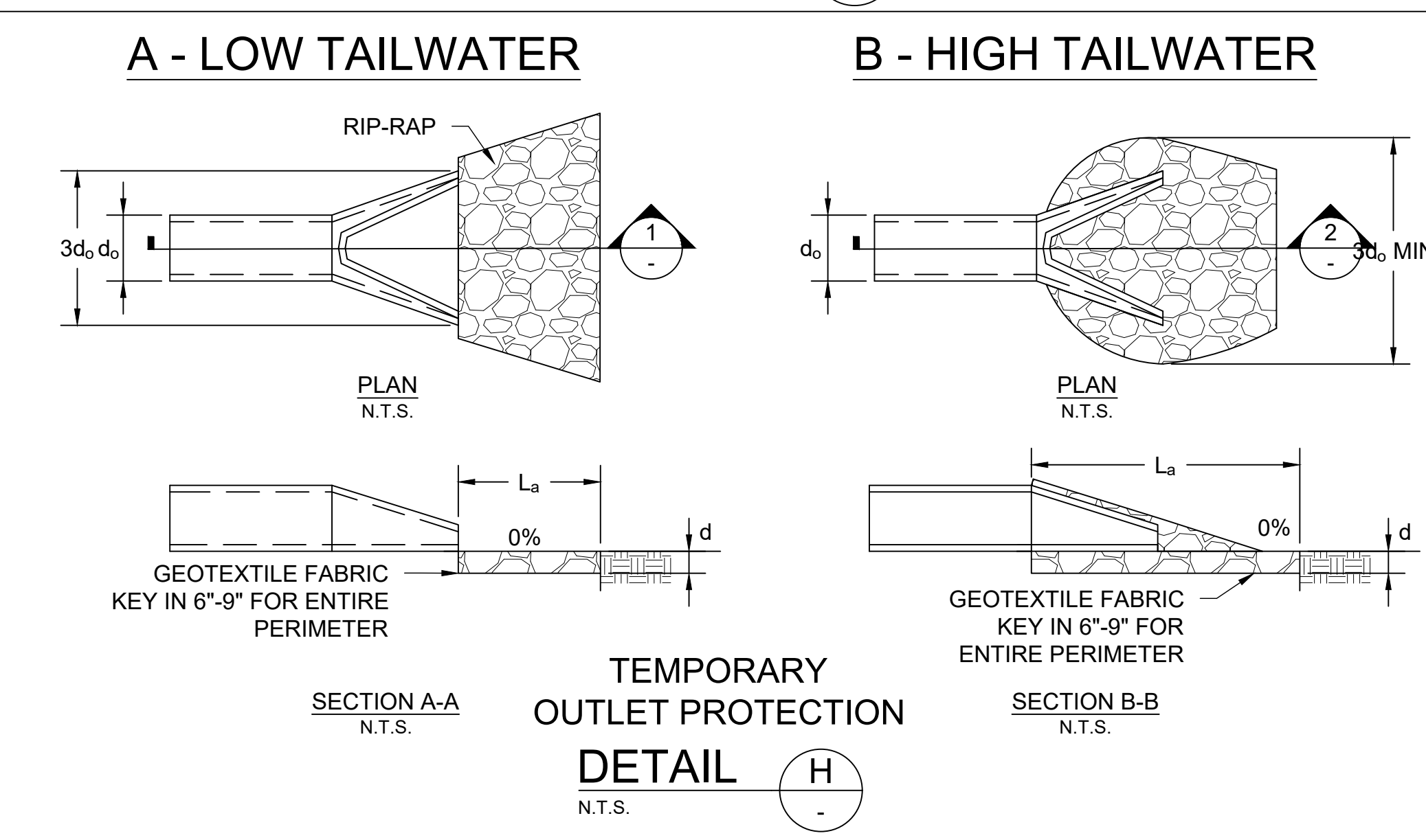
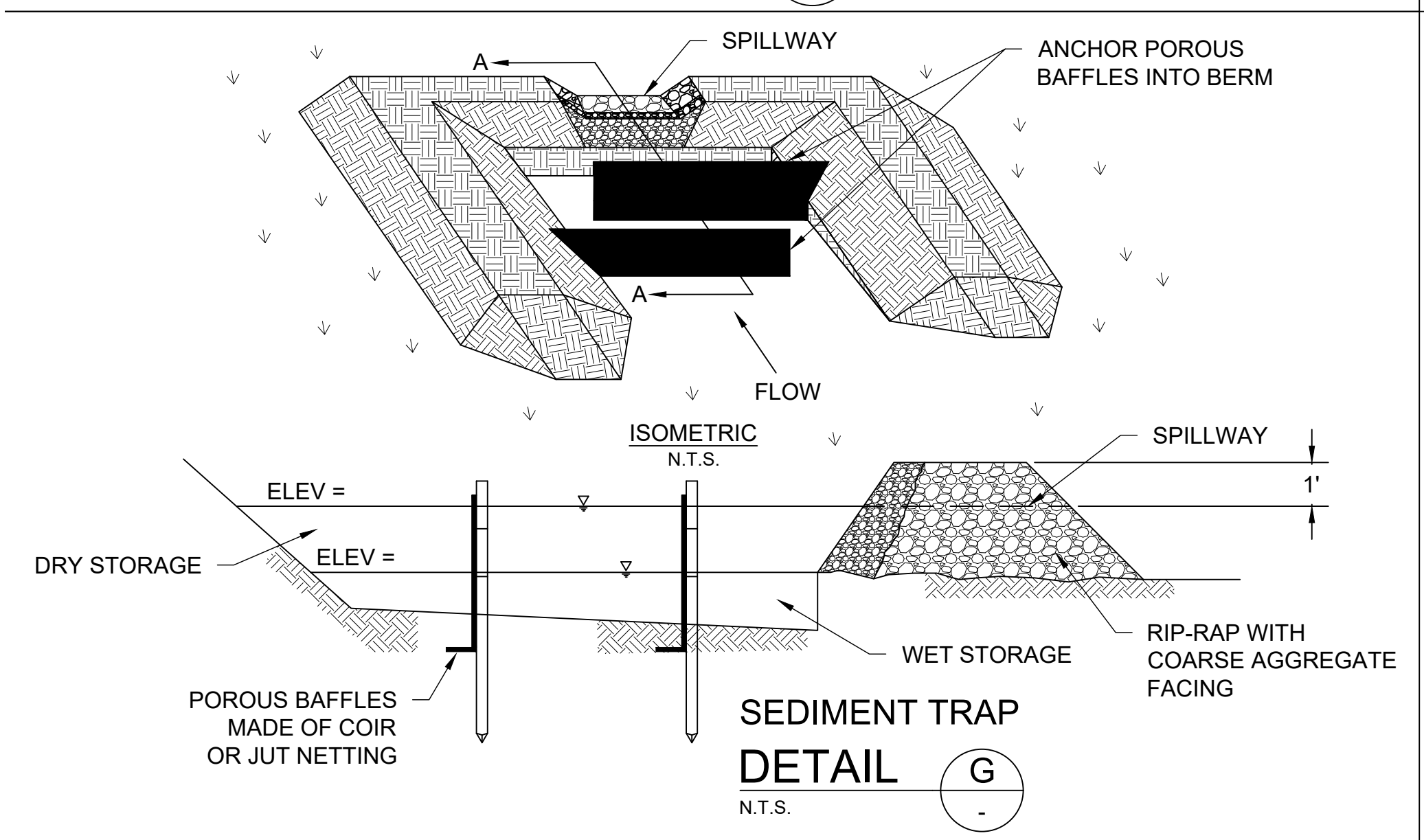
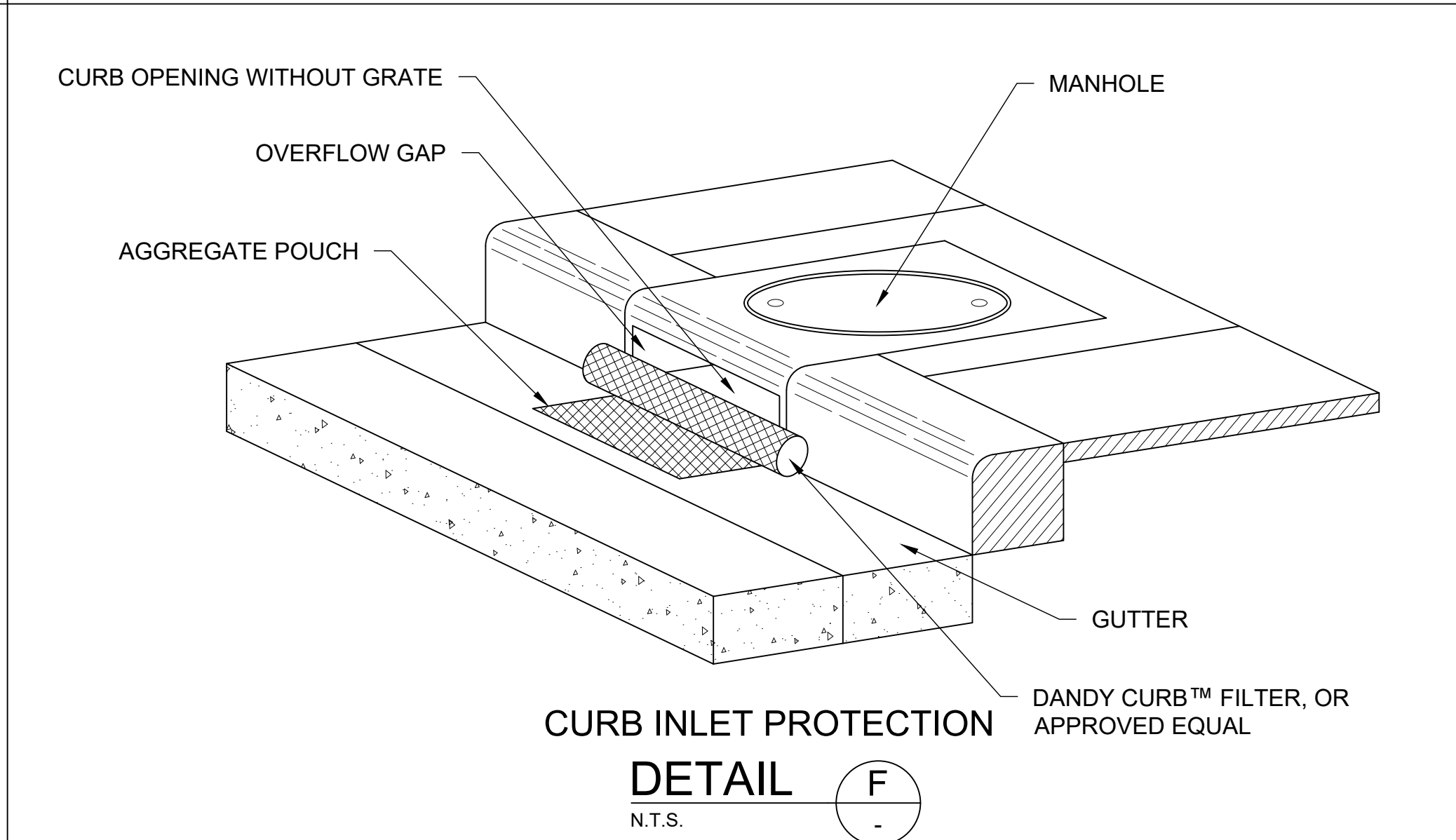
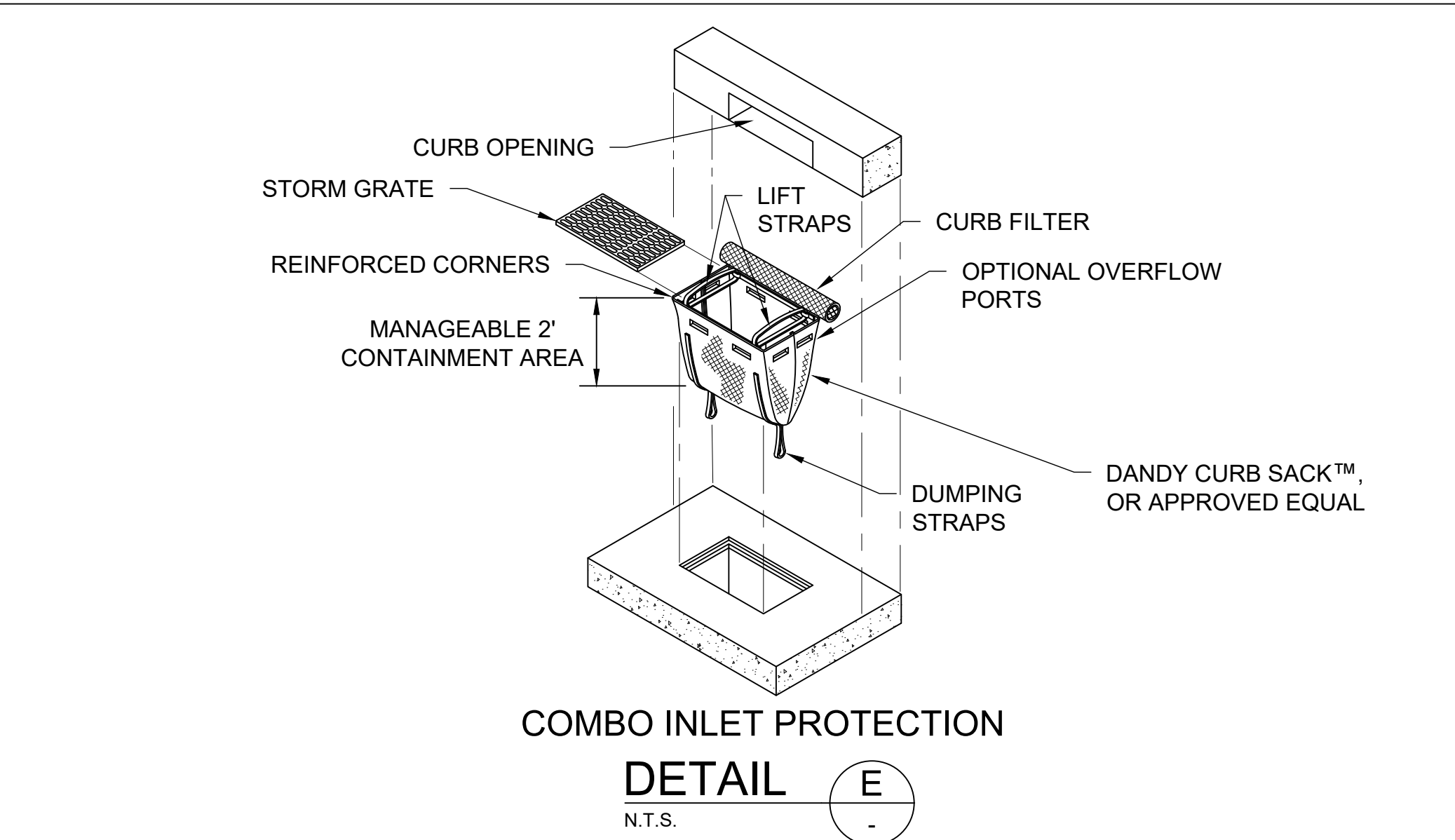
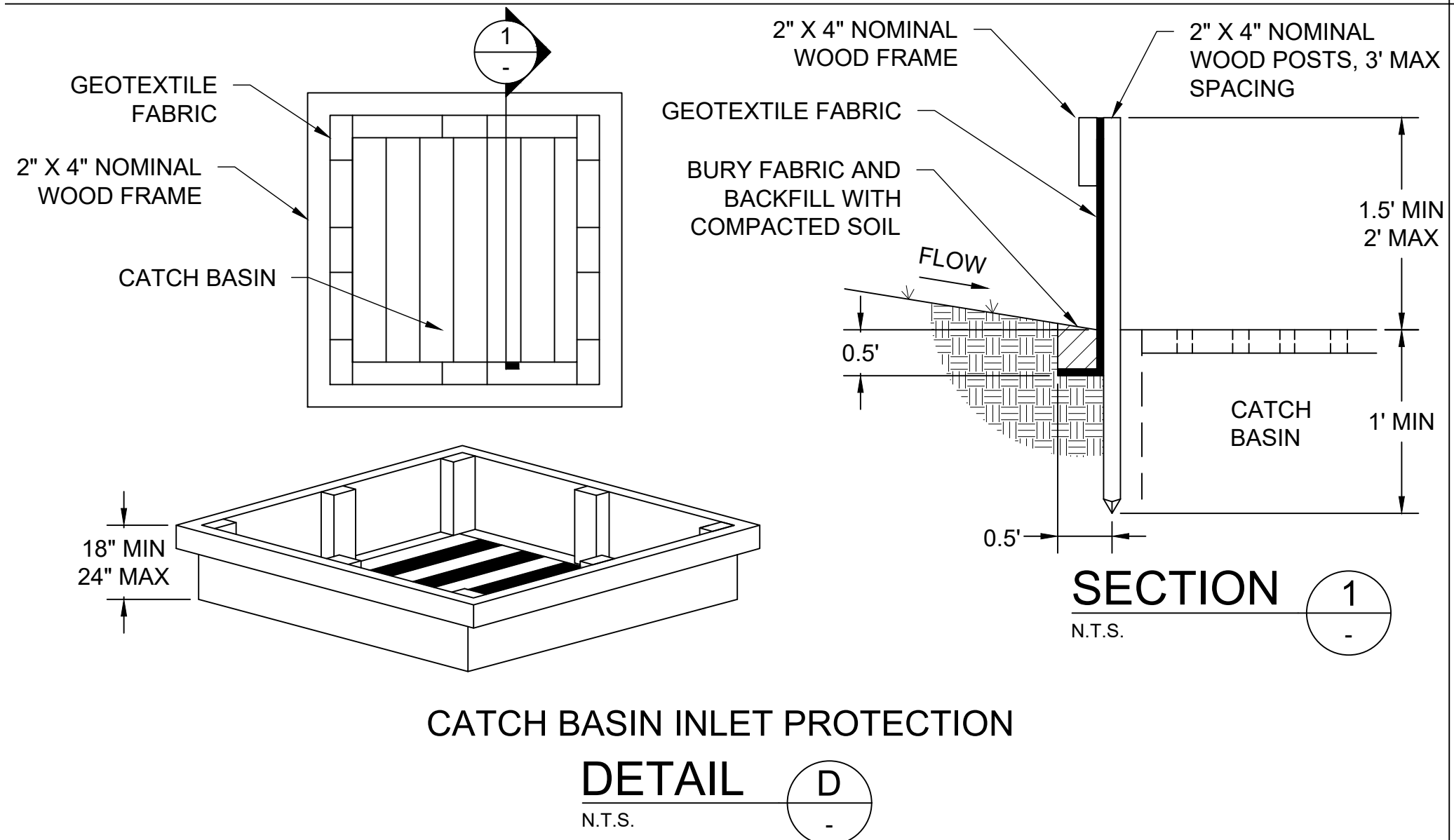
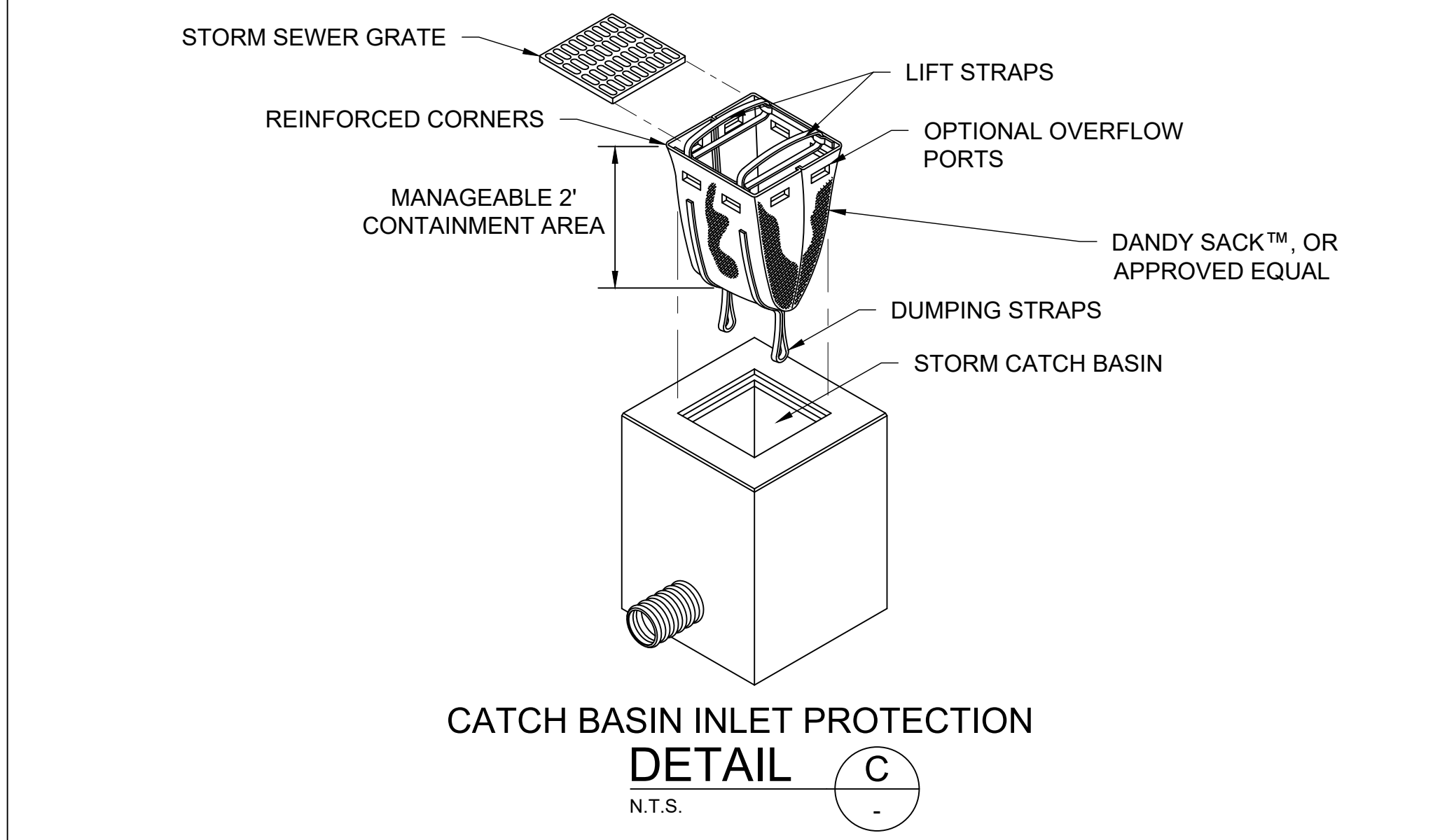
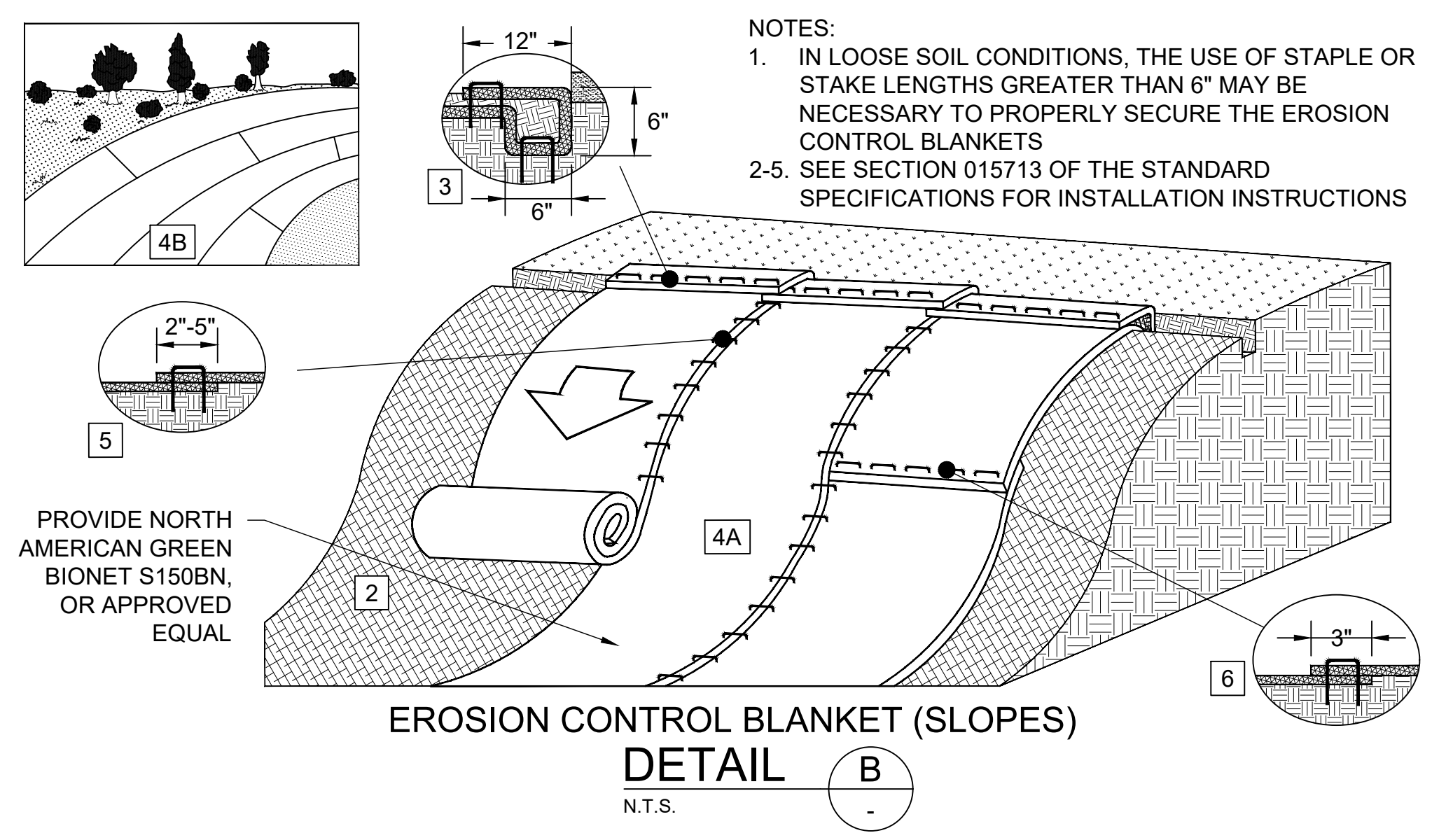
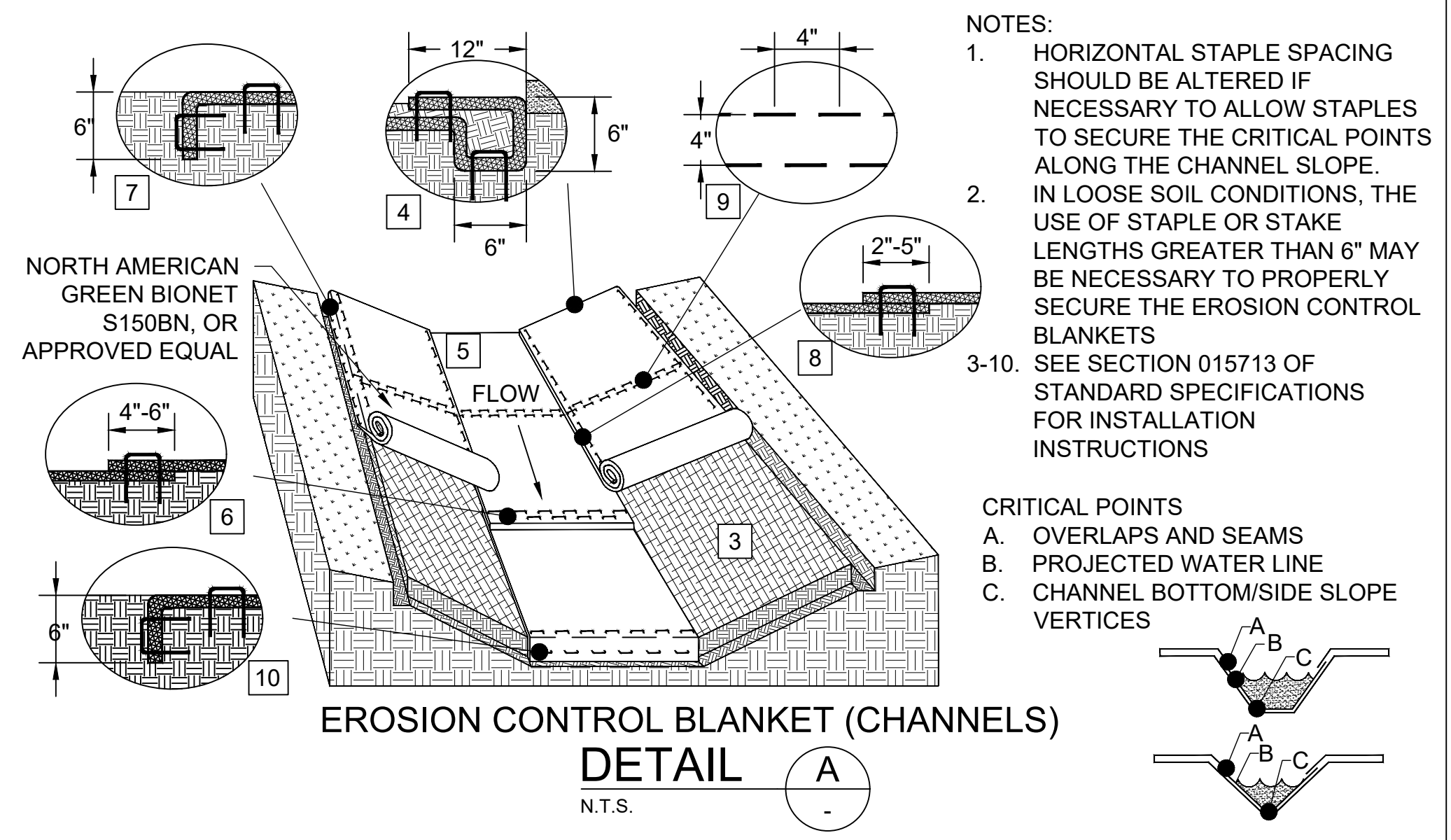
SEDIMENT LOG CHECK DAM
DETAIL G



SEDIMENT LOG STAKING DETAIL

- NOTE:
1. REPAIR ALL RILLS OR GULLIES PRIOR TO INSTALLATION
 2. INSTALL CHECK DAMS IN SWALES PERPENDICULAR TO THE FLOWLINE
 3. STAKE SEDIMENT LOGS IN PLACE WITH 1 1/4" X 1 1/4" WOODEN STAKES. DRIVE STAKES AT EACH END OF THE SEDIMENT LOG AT 2' (MAX) SPACING.
 4. DRIVE STAKES INTO UNDISTURBED SOIL OF SWALE BOTTOM 16" (MIN). EXPOSE STAKES 2" MIN ABOVE TOP OF LOG.
 5. PROVIDE SUFFICIENT LENGTH TO PREVENT WATER FROM FLOWING AROUND THE ENDS OF THE SEDIMENT LOG.
 6. DO NOT USE WITH SWALE GRADE > 5%

CHECK DAM SPACING	
G (%)	S (FT)
1	150
2	75
3	50
4	40
5	30



REVISION:

PROJECT NUMBER:
SHEET ISSUE DATE: 5/11/2022
PAGE TITLE:
EROSION CONTROL DETAILS II