

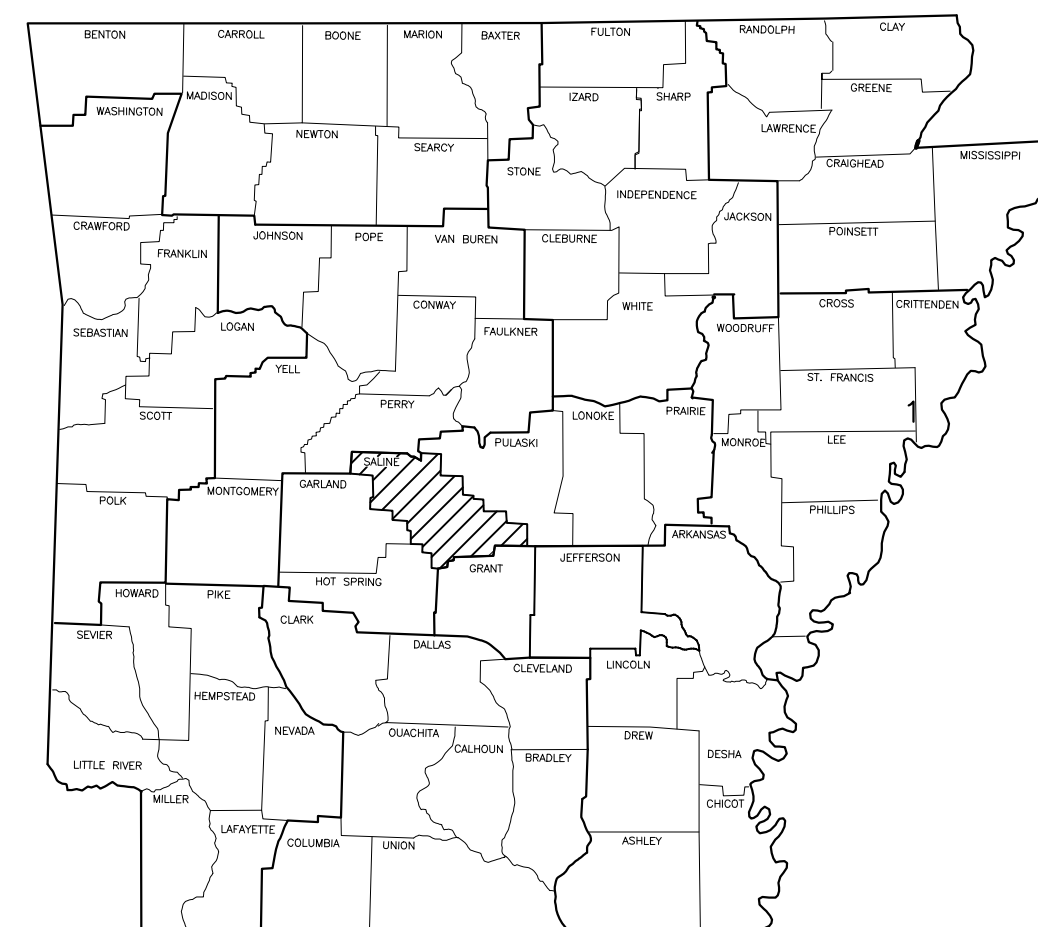
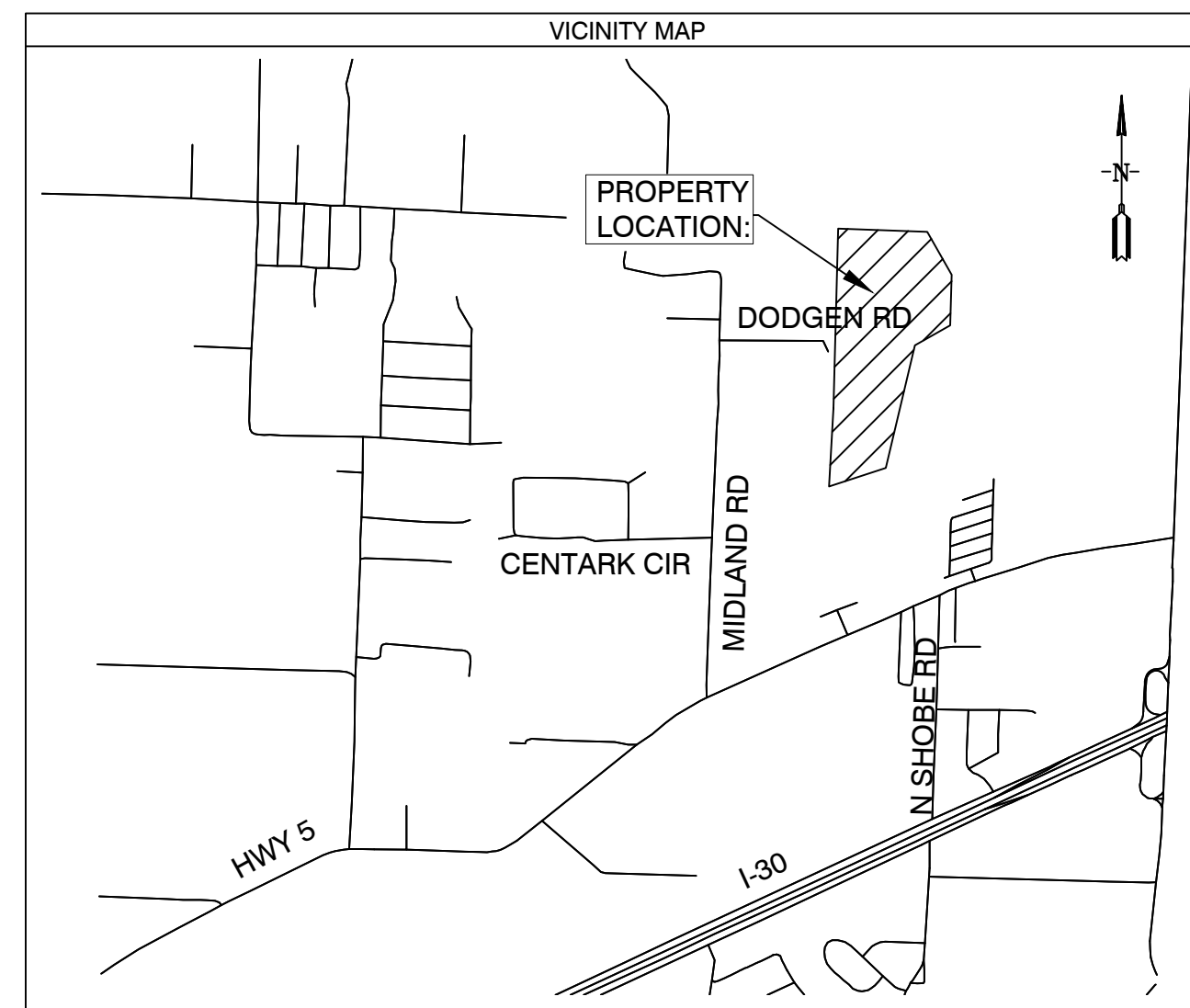
# CREEKSIDE SUBDIVISION PHASE 2 BRYANT, ARKANSAS

Prepared by:  
**GarNat Engineering, LLC**

Designing our client's success  
[www.garnatengineering.com](http://www.garnatengineering.com)

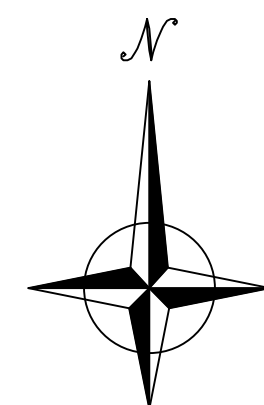
P.O. Box 116  
Benton, AR 72018  
Ph (501) 408-4650

3825 Mt Carmel Road  
Bryant, AR 72022  
Fx (888) 900-3068

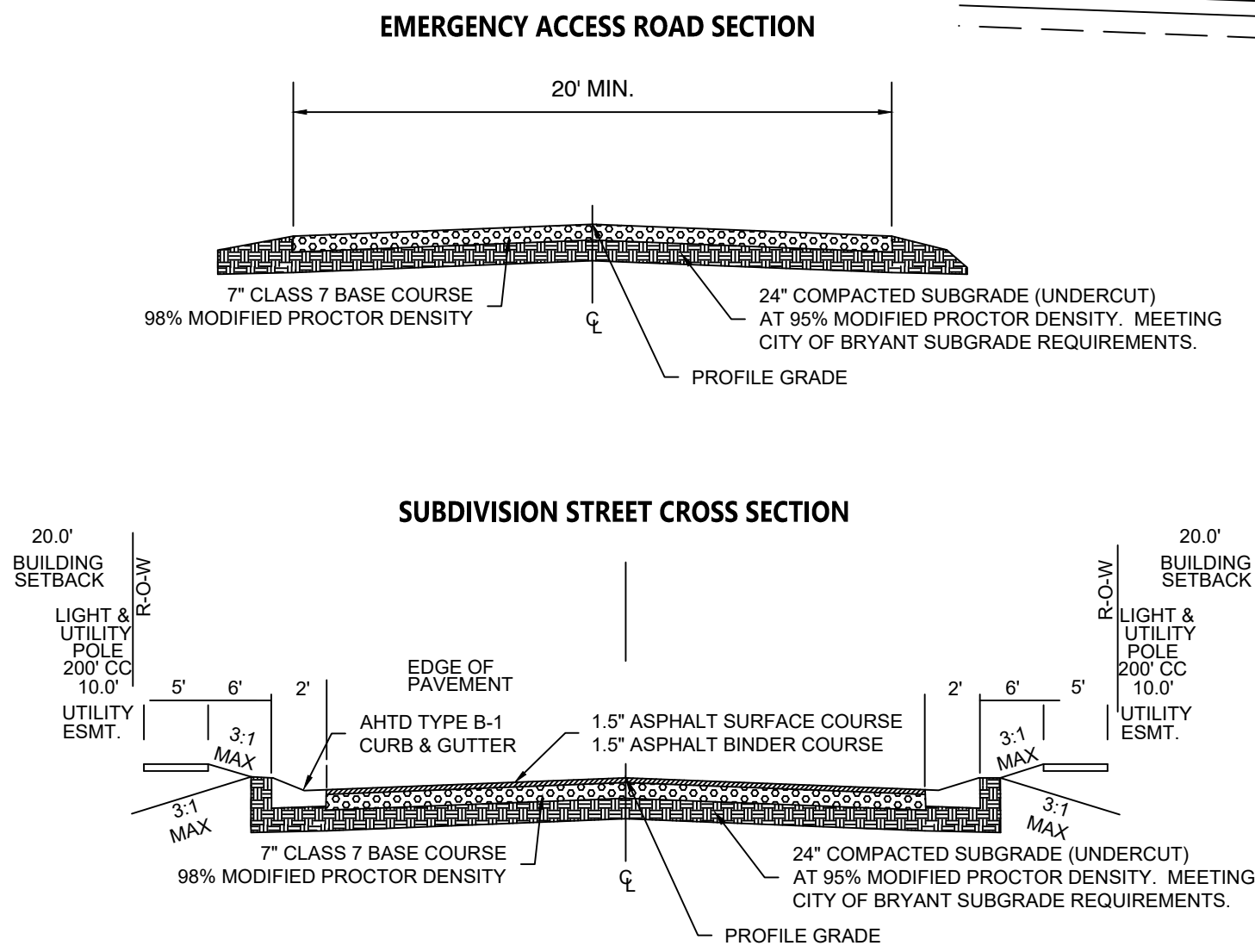
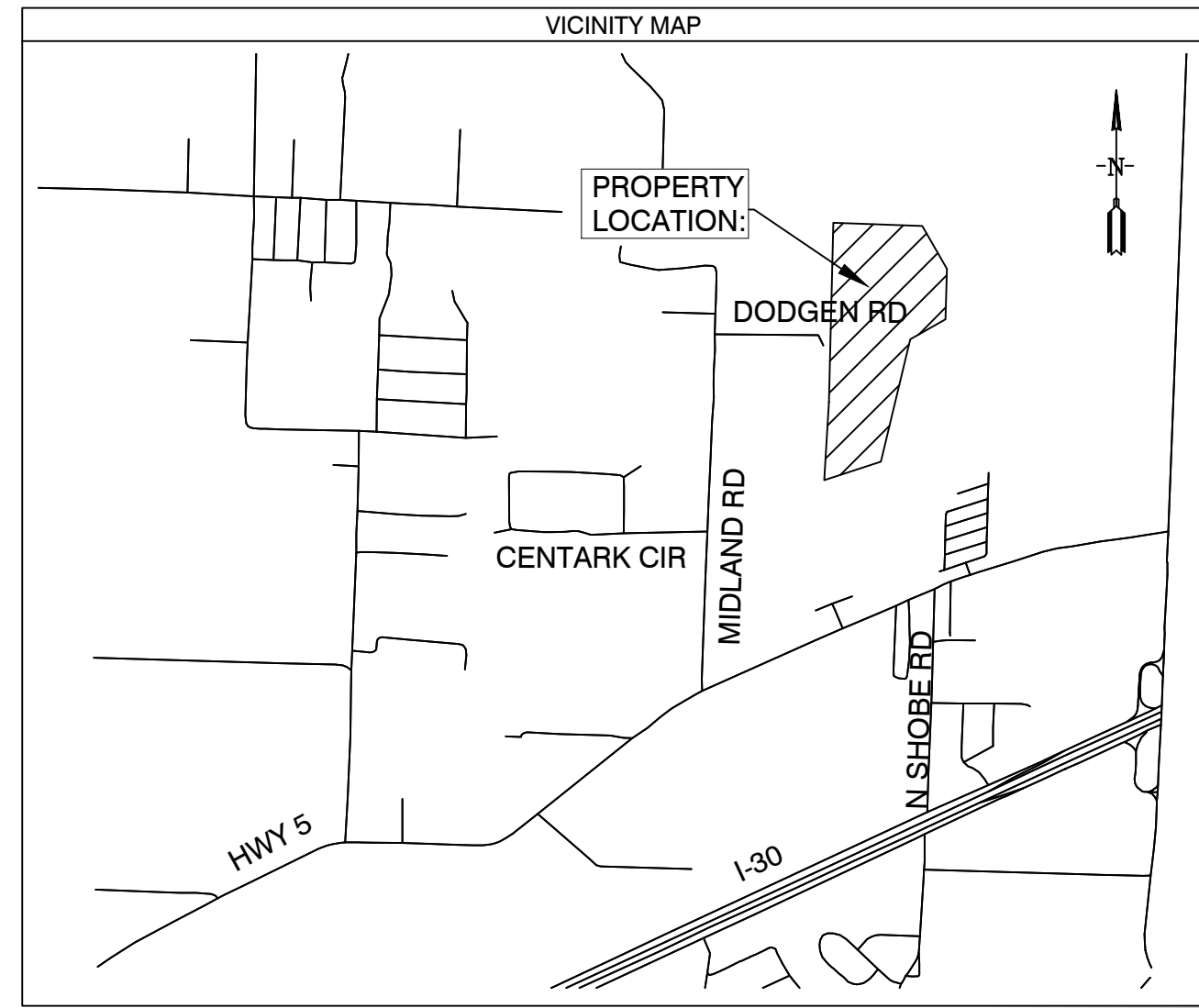


ARKANSAS

- 1 PRELIMINARY PLAT OVERALL
- 2 PRELIMINARY PLAT SOUTH HALF
- 3 PRELIMINARY PLAT NORTH HALF
- 4 DRAINAGE PLAN
- 5 ROAD PROFILES
- 6 DRAINAGE PROFILES
- 7 OVER SEWER & WATER PLANS
- 8 OULET STRUCTURE DETAILS
9. EROSION CONTROL PLAN



08-24-2022



Line #	Length	Direction
L1	26.63	S45° 37' 43"W
L2	67.59	S42° 51' 15"W
L3	69.25	S42° 51' 15"W
L4	61.55	S33° 56' 28"W
L5	74.18	S59° 11' 07"W
L6	85.44	S57° 05' 38"W
L7	45.43	S61° 02' 07"W
L8	20.44	S2° 04' 49"W
L9	75.92	S78° 58' 48"E
L10	68.17	S70° 19' 12"E
L11	82.17	S51° 58' 45"E
L12	43.85	S41° 47' 58"E
L13	44.83	S16° 41' 28"E
L14	59.73	S6° 28' 58"E
L15	61.47	S0° 55' 57"E
L16	67.51	S19° 41' 07"W
L17	118.71	S50° 16' 07"W
L18	136.69	S38° 51' 03"W
L19	100.82	S22° 07' 30"W
L20	37.28	S6° 12' 28"W

Line #	Length	Direction
L21	41.25	S21° 27' 38"E
L22	43.04	S21° 27' 38"E
L23	28.95	S0° 00' 17"W
L24	114.30	S34° 41' 56"W
L25	10.01	N89° 52' 05"W

Curve #	Length	Radius	Chord Direction	Chord Length
C1	31.03	70.00	S55° 21' 59"E	30.78
C2	29.41	70.00	S62° 56' 29"W	29.19
C3	19.08	15.00	S38° 31' 41"W	17.82

## PRELIMINARY PLAT CREEKSIDE ADDITION PHASE 2 SALINE COUNTY, ARKANSAS

**PROPERTY DESCRIPTION:**  
PART OF THE EAST HALF OF THE NORTHWEST QUARTER ALL IN SECTION 12, TOWNSHIP 1 SOUTH, RANGE 14 WEST, SALINE COUNTY, ARKANSAS, DESCRIBED AS FOLLOWS:

COMMENCING AT THE NORTHWEST CORNER OF LOT 77 OF THE CREEK SIDE ADDITION, PHASE 1 TO THE CITY OF BRYANT, SALINE COUNTY, ARKANSAS AND RUN THENCE NORTH 1°58'21" EAST ALONG THE EAST LINE OF CREEK WATER DRIVE A DISTANCE OF 115.05 FEET TO THE POINT OF BEGINNING; THENCE NORTH 89°52'06" WEST ALONG THE NORTH LINE OF SAID CREEKSIDE ADDITION, PHASE 1, A DISTANCE OF 275.01 FEET; THENCE NORTH 31°22'58" EAST 94.60 FEET; NORTH 22°56'11" EAST 80.29 FEET; NORTH 26°04'51" EAST 82.13 FEET; NORTH 24°48'10" EAST 81.34 FEET; NORTH 8°56'14" EAST 60.55 FEET; SOUTH 87°58'11" EAST 57.60 FEET; NORTH 2°01'49" EAST 319.19 FEET; SOUTH 45°37'43" WEST 26.63 FEET; SOUTH 42°51'15" WEST 67.59 FEET; SOUTH 42°51'15" WEST 69.25 FEET; SOUTH 33°56'28" WEST 61.55 FEET; SOUTH 59°11'07" WEST 74.18 FEET; SOUTH 57°05'38" WEST 85.44 FEET TO A POINT ON THE WEST LINE OF SAID E 1/2 NW 1/4; THENCE NORTH 2°04'49" EAST ALONG THE WEST LINE OF SAID E 1/2 NW 1/4 A DISTANCE OF 1694.30 FEET TO THE NORTH WEST CORNER OF THE NORTHEAST QUARTER OF THE NORTHWEST QUARTER OF SAID SECTION 12; THENCE SOUTH 89°14'31" EAST ALONG THE NORTH LINE OF SAID NE 1/4 NW 1/4 A DISTANCE OF 211.42 FEET; THENCE SOUTH 0°45'29" WEST 104.36 FEET TO THE START OF A CURVE TO THE RIGHT; THENCE 31.03 FEET ALONG THE ARC OF A CURVE HAVING A RADIUS 70.0', SAID CURVE HAVING A CHORD BEARING & DISTANCE OF SOUTH 55°21'59" EAST 30.78 FEET; THENCE SOUTH 84°18'55" EAST 153.41 FEET; SOUTH 5°41'05" WEST 71.66 FEET; SOUTH 61°02'07" WEST 45.43 FEET; NORTH 86°35'33" WEST 113.34 FEET TO THE START OF A CURVE TO THE LEFT; THENCE 29.41 FEET ALONG THE ARC OF A CURVE HAVING RADIUS OF 70.0', SAID CURVE HAVING A CHORD BEARING & DISTANCE OF SOUTH 62°56'29" WEST 29.19 FEET; THENCE ALONG THE ARC OF ANOTHER CURVE HAVING A RADIUS OF 15.00' TO THE LEFT A DISTANCE OF 19.08 FEET, SAID CURVE HAVING A CHORD BEARING AND DISTANCE OF SOUTH 38°31'41" WEST 17.82 FEET; THENCE SOUTH 2°04'49" WEST 112.09 FEET; THENCE SOUTH 48°25'26" EAST 103.75 FEET; SOUTH 57°22'48" EAST 74.02 FEET; SOUTH 2°04'49" WEST 20.44 FEET; SOUTH 78°58'48" EAST 75.92 FEET; SOUTH 70°19'12" EAST 68.17 FEET; SOUTH 51°58'45" EAST 82.17 FEET; SOUTH 41°47'58" EAST 43.85 FEET; SOUTH 16°41'28" EAST 44.83 FEET; SOUTH 6°28'58" EAST 59.73 FEET; SOUTH 0°55'57" EAST 61.47 FEET; SOUTH 19°41'07" WEST 67.51 FEET; SOUTH 50°16'07" WEST 118.71 FEET; SOUTH 38°51'03" WEST 136.69; SOUTH 22°07'30" WEST 100.82 FEET; SOUTH 6°12'28" WEST 37.28 FEET; SOUTH 21°27'38" EAST 41.25 FEET; SOUTH 21°27'38" EAST 43.04 FEET; SOUTH 0°01'17" WEST 28.95 FEET; SOUTH 34°41'56" WEST 114.30 FEET; SOUTH 2°01'49" WEST FOR 761.91 FEET; THENCE NORTH 89°52'05" WEST 10.01 FEET TO THE POINT OF BEGINNING, CONTAINING 16.35 ACRES MORE OR LESS.

**DOCUMENTS USED:**

- SURVEY PLAT OF RECORD RASBERRY SURVEYING 10/23/2014
- DEED OF RECORD 2014 PAGE 25641 WILLIAMS TO DIAMOND DEVELOPMENT II
- DEED OF RECORD 2004 PAGE 112595 THOMAS TO DIAMOND DEVELOPMENT II
- SURVEY PLAT OF RECORD MIDLAND FARM SUBDIVISION BY HENRY N. CONWAY 8/13/1951

**BASIS OF BEARINGS:**

BENCHMARK(S) PROVIDED ARE REBAR AND COORDINATES ON BENCHMARKS ARE NORTH AMERICAN DATUM 1983, ARKANSAS SOUTH ZONE, US SURVEY FEET, GRID COORDINATES AND ELEVATIONS ARE NAVD 1988. COORDINATES AND ELEVATIONS WERE ESTABLISHED USING GPS AND WERE PROCESSED USING THE NATIONAL GEODETIC SURVEYS "ONLINE POSITIONING USER SERVICE" (OPUS).

**PLAT CERTIFICATES:**

**OWNER:** Name: Diamond Development II, Address: 1599 Lawson Oaks, Little Rock, AR 72210

**DEVELOPER:** Name: Diamond Development II, Address: 1599 Lawson Oaks, Little Rock, AR 72210

**CERTIFICATE OF RECORDING:**

**CERTIFICATE OF OWNER:** We, the undersigned, owners of the real estate shown and described herein do hereby certify that we have laid off, platted and subdivided, and do hereby lay off, plat and subdivide said real estate in accordance with the within plat.

Date: \_\_\_\_\_ Signed: \_\_\_\_\_ DIAMOND DEVELOPMENT II

Source of Title: SALINE COUNTY, ARKANSAS  
Saline County Document# 2014-25641 & 2004-112595

**CERTIFICATE OF PRELIMINARY ENGINEERING ACCURACY:**

I, Vernon J. Williams, hereby certify that this plat correctly represents a survey and a plan made by me or under my supervision; that all monuments shown hereon actually exist and their locations, size, type, and material are correctly shown; and that all requirements of the City of Bryant Subdivision Rules and Regulations have been fully complied with.

Date: \_\_\_\_\_ Signed: \_\_\_\_\_ Vernon J. Williams, Registered Professional Engineer No. 9551, Arkansas

**CERTIFICATE OF PRELIMINARY SURVEYING ACCURACY:**

I, George P. Wooden, hereby certify that this proposed preliminary plat correctly represents a boundary survey made by me or under my supervision on 6/07/2022; that the boundary lines shown hereon correspond with the description in the deeds cited in the above Source of Title; and that all monuments which were found or placed on the property are correctly described and located.

Date: \_\_\_\_\_ Signed: \_\_\_\_\_ George P. Wooden, Registered Land Surveyor No. 1573, Arkansas

**CERTIFICATE OF PRELIMINARY PLAT APPROVAL:**

All requirements of the City of Bryant Subdivision Rules and Regulations relative to the preparation and submittal of a Preliminary Plat having been fulfilled, approval of this plat is hereby granted, subject to further provisions of said Rules and Regulations.

Date: \_\_\_\_\_ Signed: \_\_\_\_\_ Rick Johnson, Chairman, Bryant Planning Commission

**PROPERTY SPECIFICATIONS:**

ZONING CLASSIFICATION: R-1  
MIN. LOT SIZE: 9682 S.F.  
MAX. LOT SIZE: 24437 S.F.  
NUMBER OF LOTS: 42  
SOURCE OF WATER: SALEM WATER USERS ASSOCIATION PWA  
SOURCE OF SEWER: CITY OF BRYANT

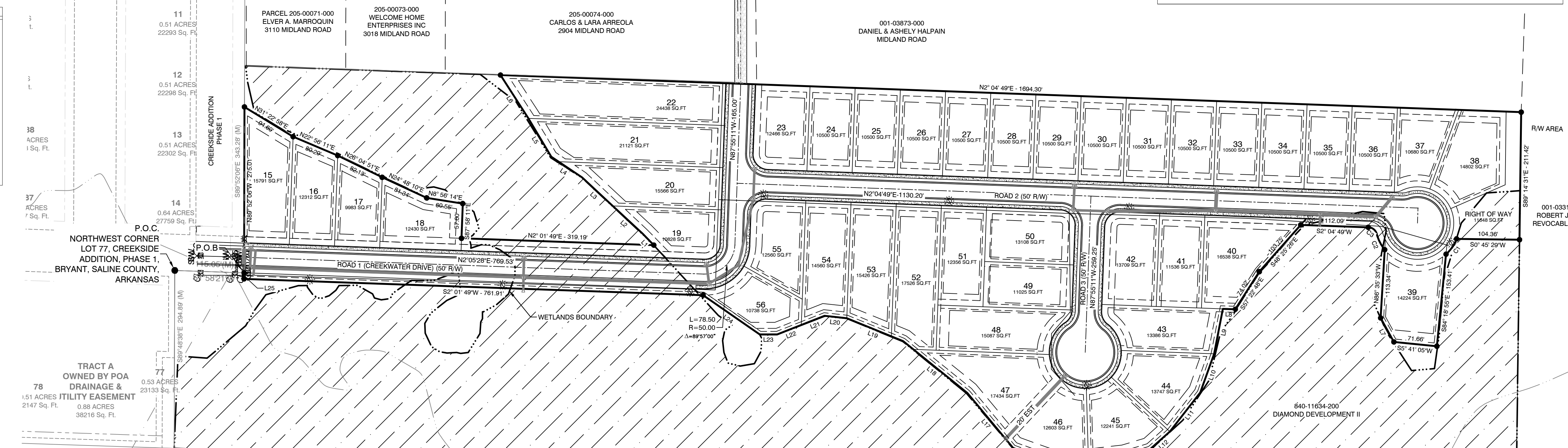
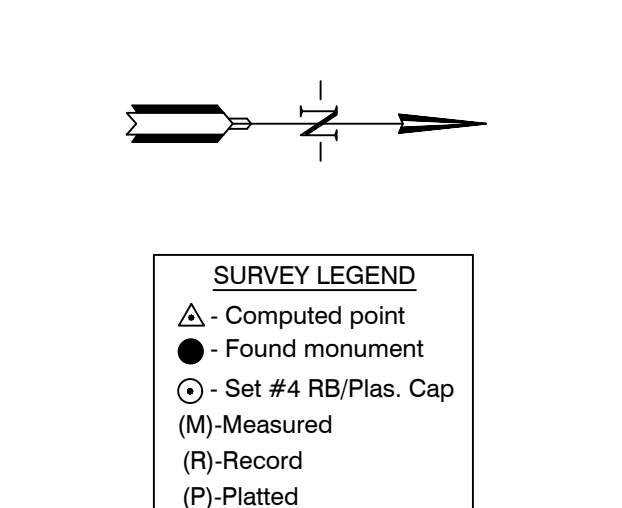
**BUILDING SETBACKS:**  
FRONT: 20' OR AS SHOWN  
REAR: 20' OR AS SHOWN  
SIDE: 5' OR AS SHOWN

**EASEMENTS: UTILITY & DRAINAGE (D.E. & U.E.)**  
FRONT: 10' OR AS SHOWN  
BACK: 10' OR AS SHOWN  
SIDE: 5' OR AS SHOWN

STREET RIGHT OF WAYS: 50' OR AS SHOWN  
STREET WIDTH: 26' BOC TO BOC  
LOT CORNERS: SET #4 REBAR WITH CAP

NOTE 1: ALL GRINDER PUMPS AND SEWER SERVICE LINES WILL BE PRIVATE.

**SURVEY PLAT CODE:**  
500-01S-14W-0-12-304-62-1573



BY: \_\_\_\_\_ MN: \_\_\_\_\_

REVISION: \_\_\_\_\_

DATE: 9/7/22 AS PER CITY OF BRYANT

**GNE** Designing our client's success

**GarNat Engineering, LLC**  
P.O. Box 116 (72018) Ph (501) 408-4650  
3925 Mt. Carmel Road Fx (888) 900-3068  
Bryant, AR 72022 gamatengneering@gmail.com

CREEKSIDE ADDITION PHASE 2

PART OF THE EAST HALF OF THE NORTHWEST QUARTER SECTION 12, T-1-S, R-14-W, SALINE COUNTY, ARKANSAS

STATE OF ARKANSAS  
REGISTERED PROFESSIONAL ENGINEER  
VERNON J. WILLIAMS  
NO. 9551

09-07-2022

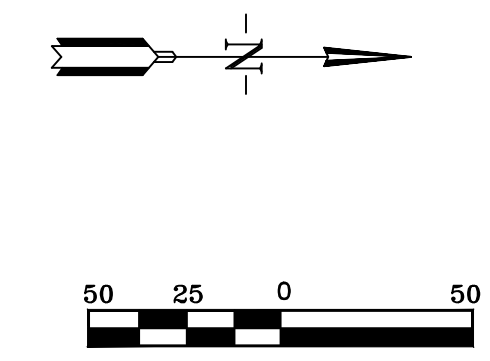
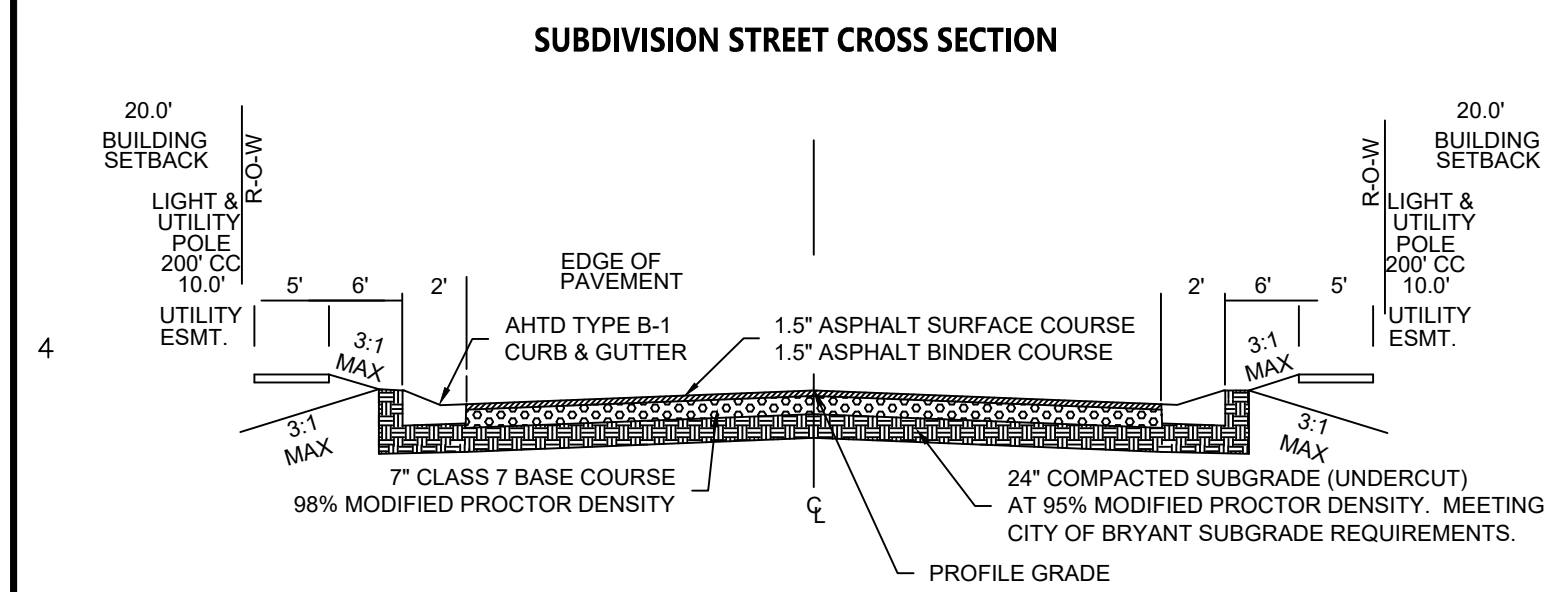
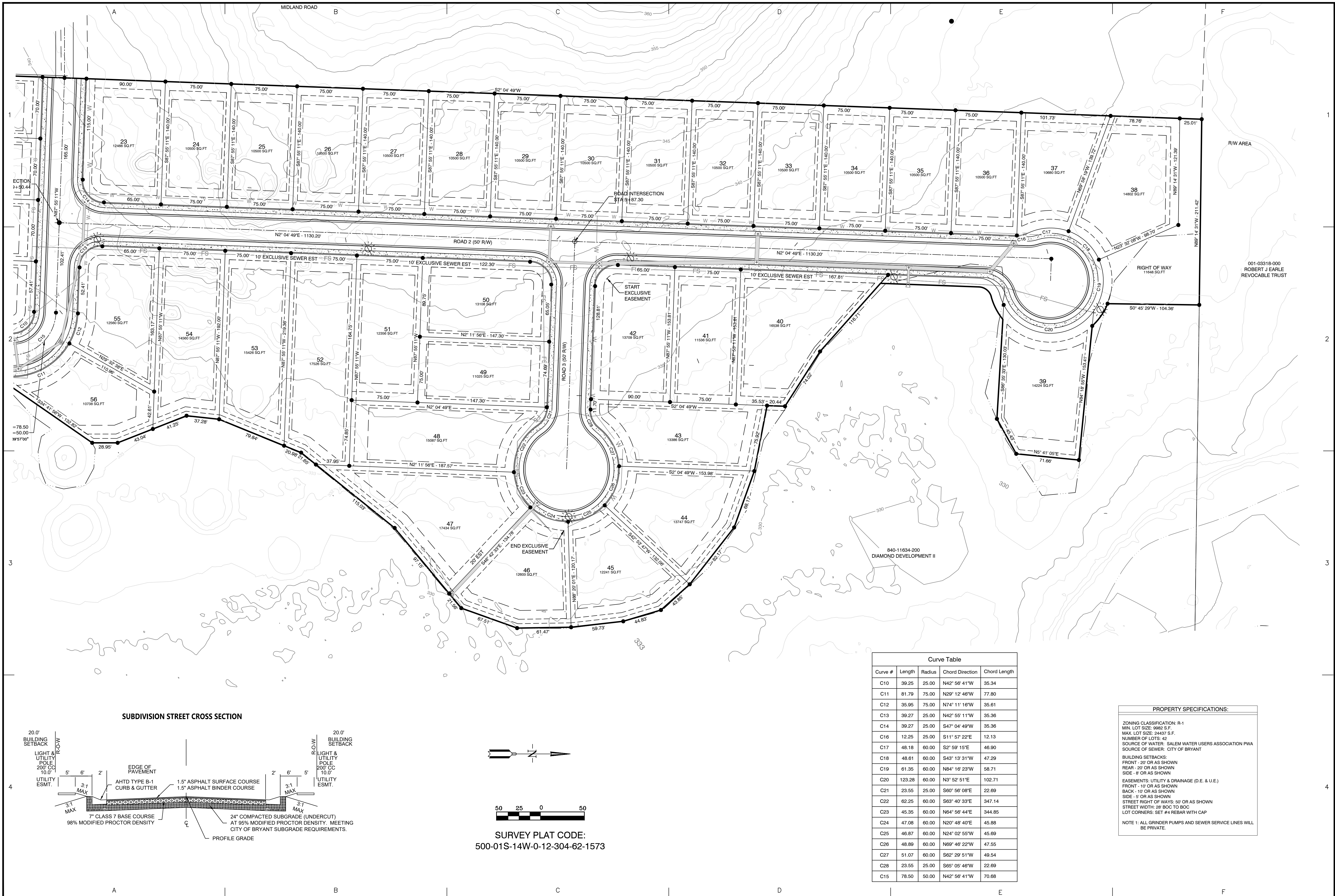
CONTENTS:  
PRELIMINARY PLAT OVERALL

PROJECT NO: 18054  
DATE: AUGUST 2022  
SHEET NO: 1









SURVEY PLAT CODE:  
500-01S-14W-0-12-304-62-1573

**Curve Table**

Curve #	Length	Radius	Chord Direction	Chord Length
C10	39.25	25.00	N42° 56' 41\"W	35.34
C11	81.79	75.00	N29° 12' 46\"W	77.80
C12	35.95	75.00	N74° 11' 16\"W	35.61
C13	39.27	25.00	N42° 55' 11\"W	35.36
C14	39.27	25.00	S47° 04' 49\"W	35.36
C16	12.25	25.00	S11° 57' 22\"E	12.13
C17	48.18	60.00	S2° 59' 15\"E	46.90
C18	48.61	60.00	S43° 13' 31\"W	47.29
C19	61.35	60.00	N84° 16' 23\"W	58.71
C20	123.28	60.00	N3° 52' 51\"E	102.71
C21	23.55	25.00	S60° 56' 08\"E	22.69
C22	62.25	60.00	S63° 40' 33\"E	347.14
C23	45.35	60.00	N64° 56' 44\"E	344.85
C24	47.08	60.00	N20° 48' 40\"E	45.88
C25	46.87	60.00	N24° 02' 55\"W	45.69
C26	48.89	60.00	N69° 46' 22\"W	47.55
C27	51.07	60.00	S62° 29' 51\"W	49.54
C28	23.55	25.00	S65° 05' 46\"W	22.69
C15	78.50	50.00	N42° 56' 41\"W	70.68

**PROPERTY SPECIFICATIONS:**

- ZONING CLASSIFICATION: R-1
- MIN. LOT SIZE: 9982 S.F.
- MAX. LOT SIZE: 24437 S.F.
- NUMBER OF LOTS: 42
- SOURCE OF WATER: SALEM WATER USERS ASSOCIATION PWA
- SOURCE OF SEWER: CITY OF BRYANT
- BUILDING SETBACKS:
  - FRONT - 20' OR AS SHOWN
  - REAR - 20' OR AS SHOWN
  - SIDE - 5' OR AS SHOWN
- EASEMENTS: UTILITY & DRAINAGE (D.E. & U.E.)
  - FRONT - 10' OR AS SHOWN
  - BACK - 10' OR AS SHOWN
  - SIDE - 5' OR AS SHOWN
- STREET RIGHT OF WAYS: 50' OR AS SHOWN
- STREET WIDTH: 28' BOC TO BOC
- LOT CORNERS: SET #4 REBAR WITH CAP
- NOTE 1: ALL GRINDER PUMPS AND SEWER SERVICE LINES WILL BE PRIVATE.

BY	REVISION	DATE
MIN	AS PER CITY OF BRYANT	9/7/22

**GNE** Designing our client's success  
**GarNat Engineering, LLC**  
 P.O. Box 116 (72018) Ph (501) 408-4650  
 3825 Mt. Carmel Road Fx (888) 900-3068  
 Bryant, AR 72022 gnatengineering@gmail.com

**CREEKSIDE ADDITION PHASE 2**

PART OF THE EAST HALF OF THE NORTHWEST QUARTER SECTION 12, T-1-S, R-14-W, SALINE COUNTY, ARKANSAS

STATE OF ARKANSAS  
 REGISTERED PROFESSIONAL ENGINEER  
 NO. 9561  
 JERRON J. WILLIAMS

09-07-2022

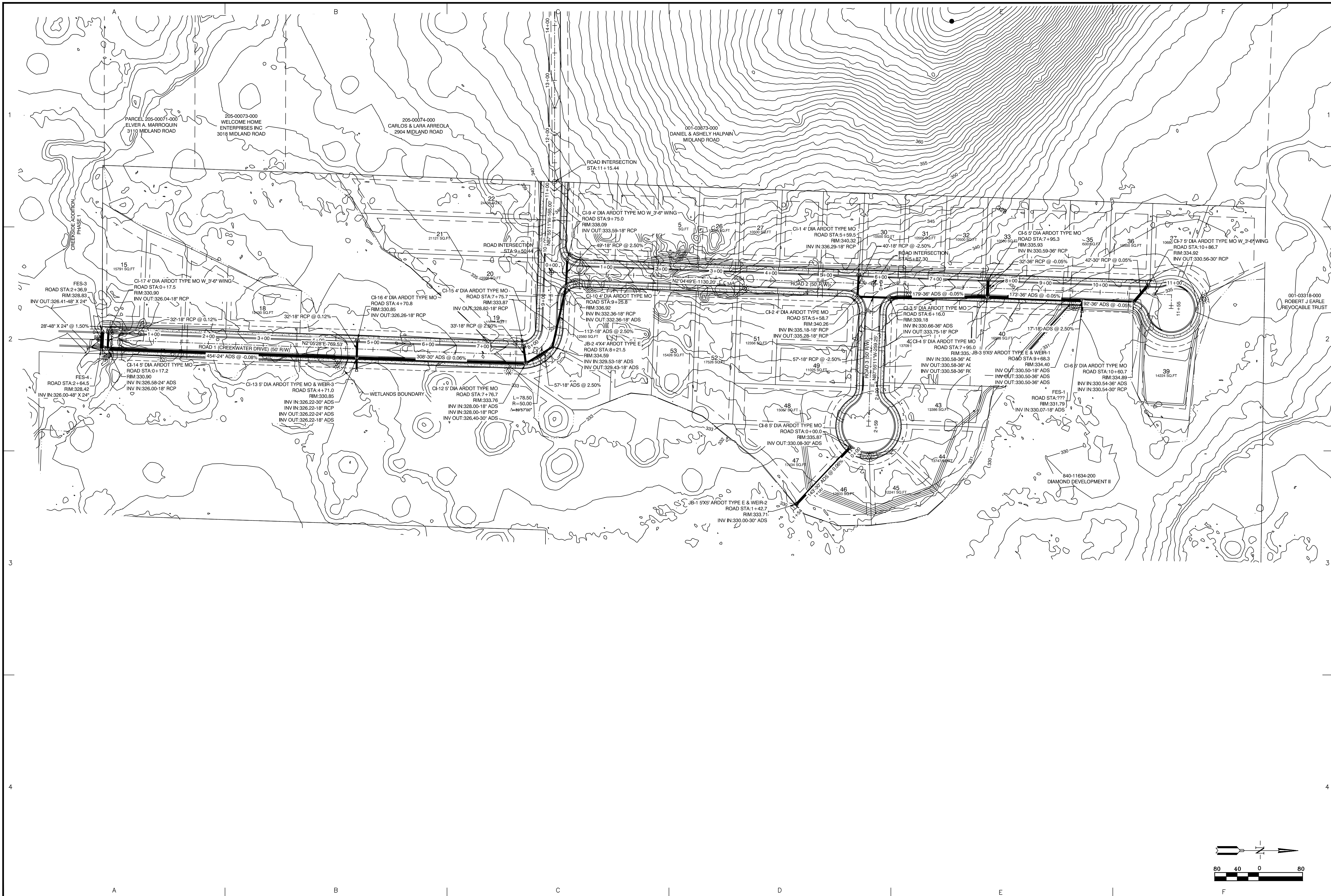
CONTENTS:  
**PRELIMINARY PLAT NORTH HALF**

PROJECT NO:  
**18054**

DATE:  
**AUGUST 2022**

SHEET NO:  
**3**

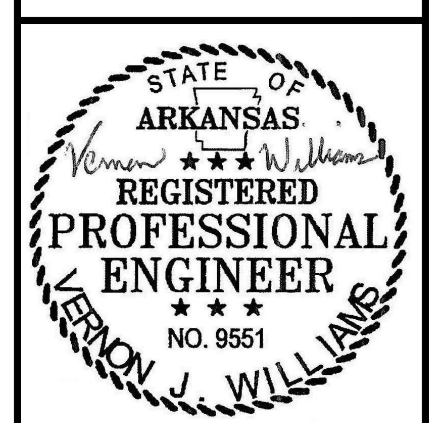




BY	REVISION	DATE

**GNE** Designing our client's success  
**GarNat Engineering, LLC**  
 P.O. Box 116 (72018) Ph (501) 408-4650  
 3825 Mt. Carmel Road Fx (888) 900-3068  
 Bryant, AR 72022 gnatengineering@gmail.com

CREEKSIDE ADDITION PHASE 2  
 PART OF THE EAST HALF OF  
 THE NORTHWEST QUARTER,  
 SECTION 12, T-1-S, R-14-W,  
 SALINE COUNTY, ARKANSAS



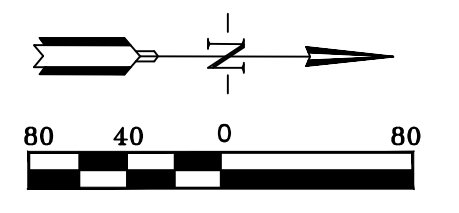
08-10-2022

CONTENTS:  
**DRAINAGE PLAN**

PROJECT NO:  
**18054**

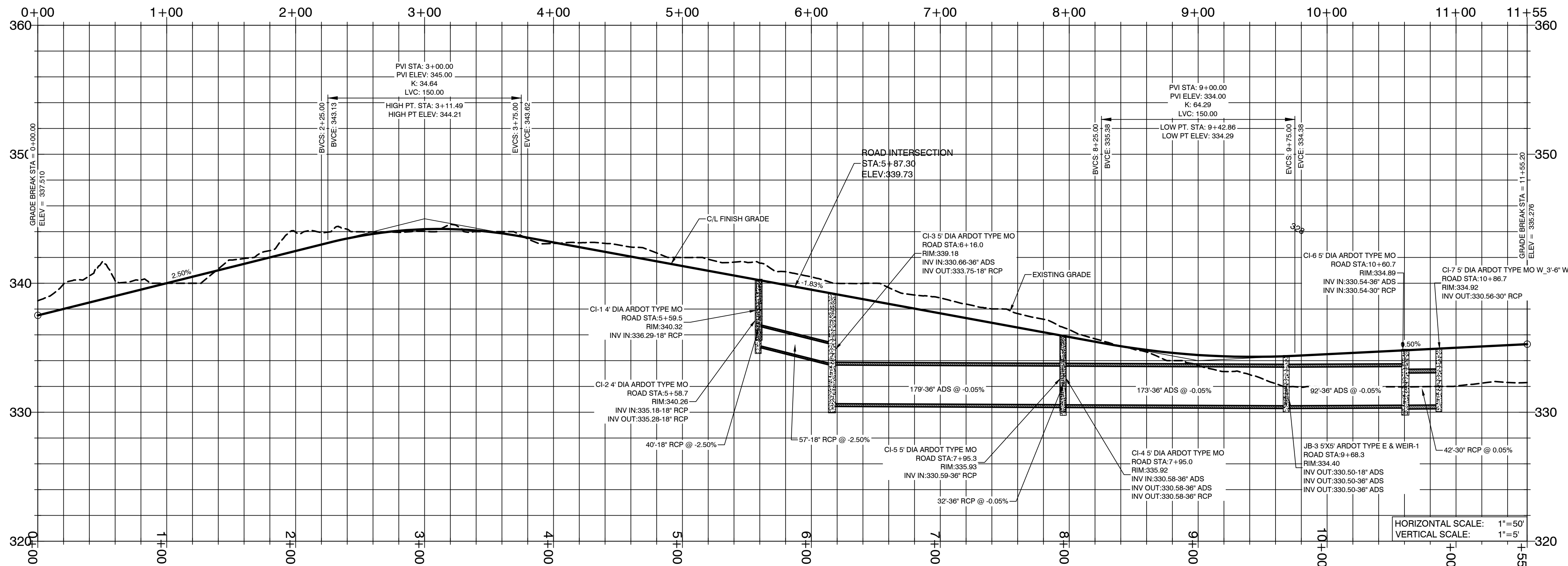
DATE:  
**JULY 2022**

SHEET NO:  
**4**

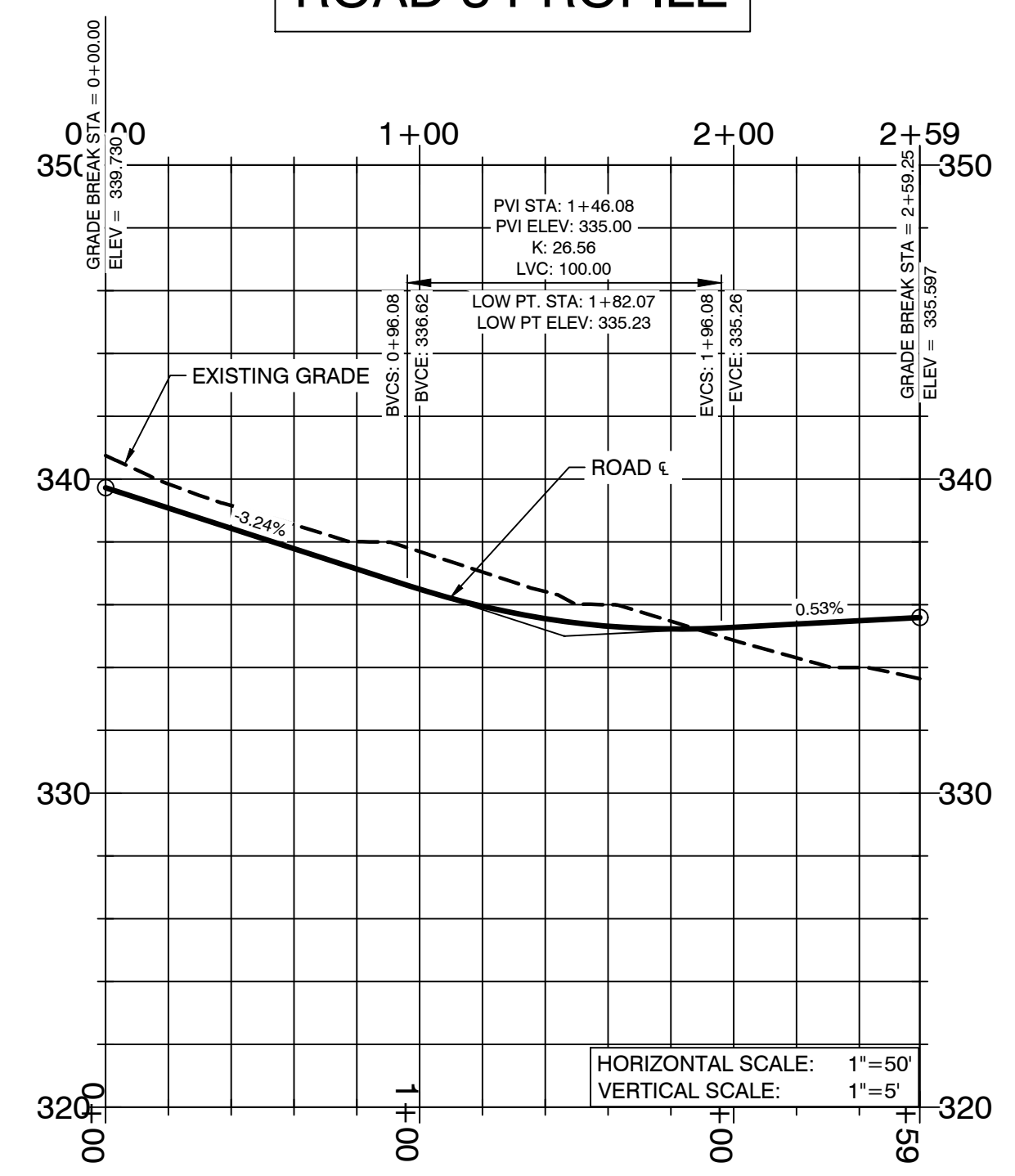




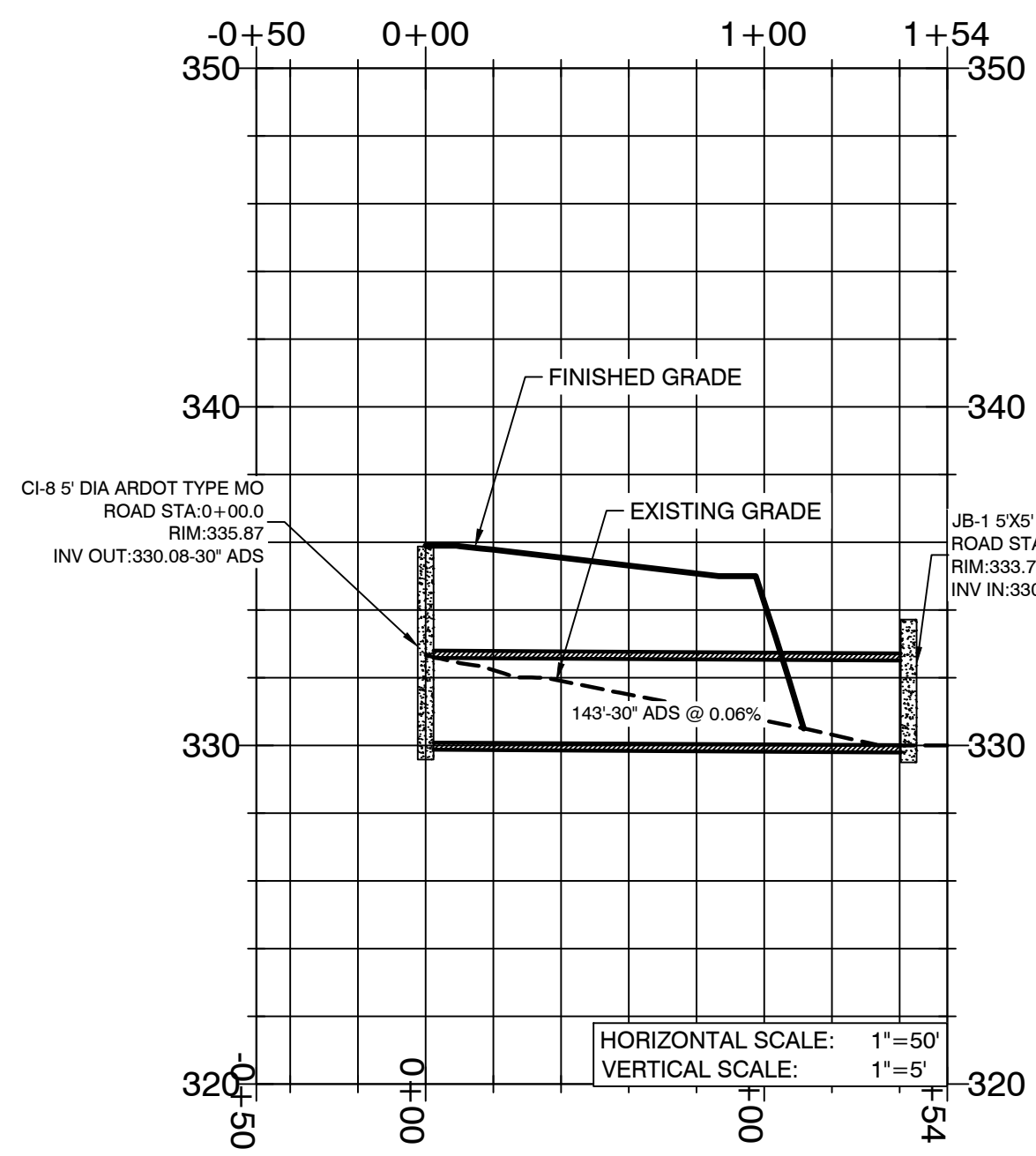
# ROAD 2 PROFILE



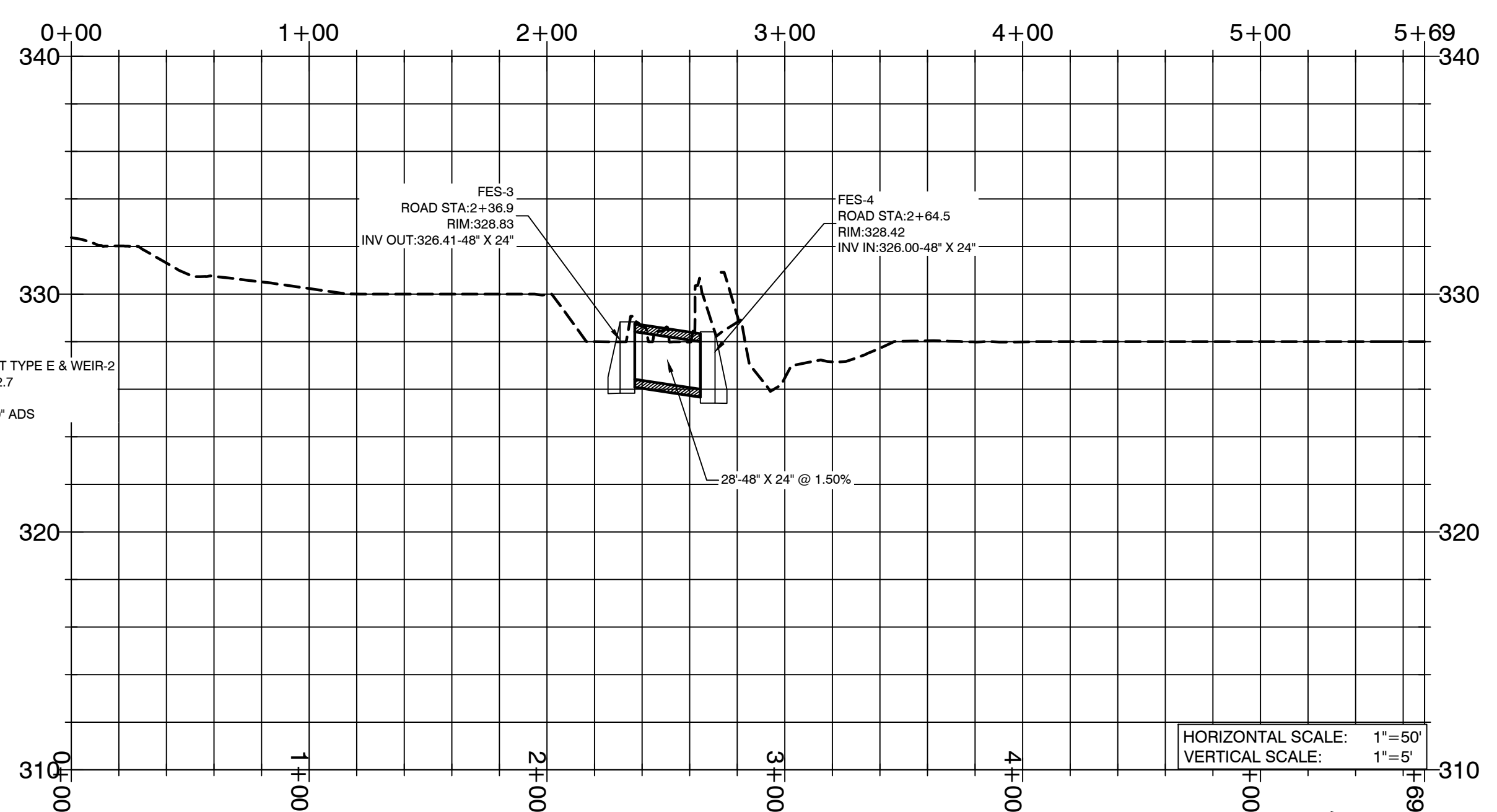
# ROAD 3 PROFILE



# EAST DETENTION PROFILE



# DITCH CULVERT PROFILE



BY	REVISION	DATE
	1	
	2	
	3	
	4	

**GNE** Designing our client's success  
**GarNat Engineering, LLC**  
 P.O. Box 116 (72018) Ph (501) 408-4650  
 3825 Mt. Carmel Road Fx (888) 900-3068  
 Bryant, AR 72022 gnatengineering@gmail.com

CREEKSIDE ADDITION PHASE 2  
 PART OF THE EAST HALF OF  
 THE NORTHWEST QUARTER  
 SECTION 12, T-1-S, R-14-W,  
 SALINE COUNTY, ARKANSAS



08-10-2022

CONTENTS:  
 DRAINAGE  
 PROFILES

PROJECT NO:  
 18054

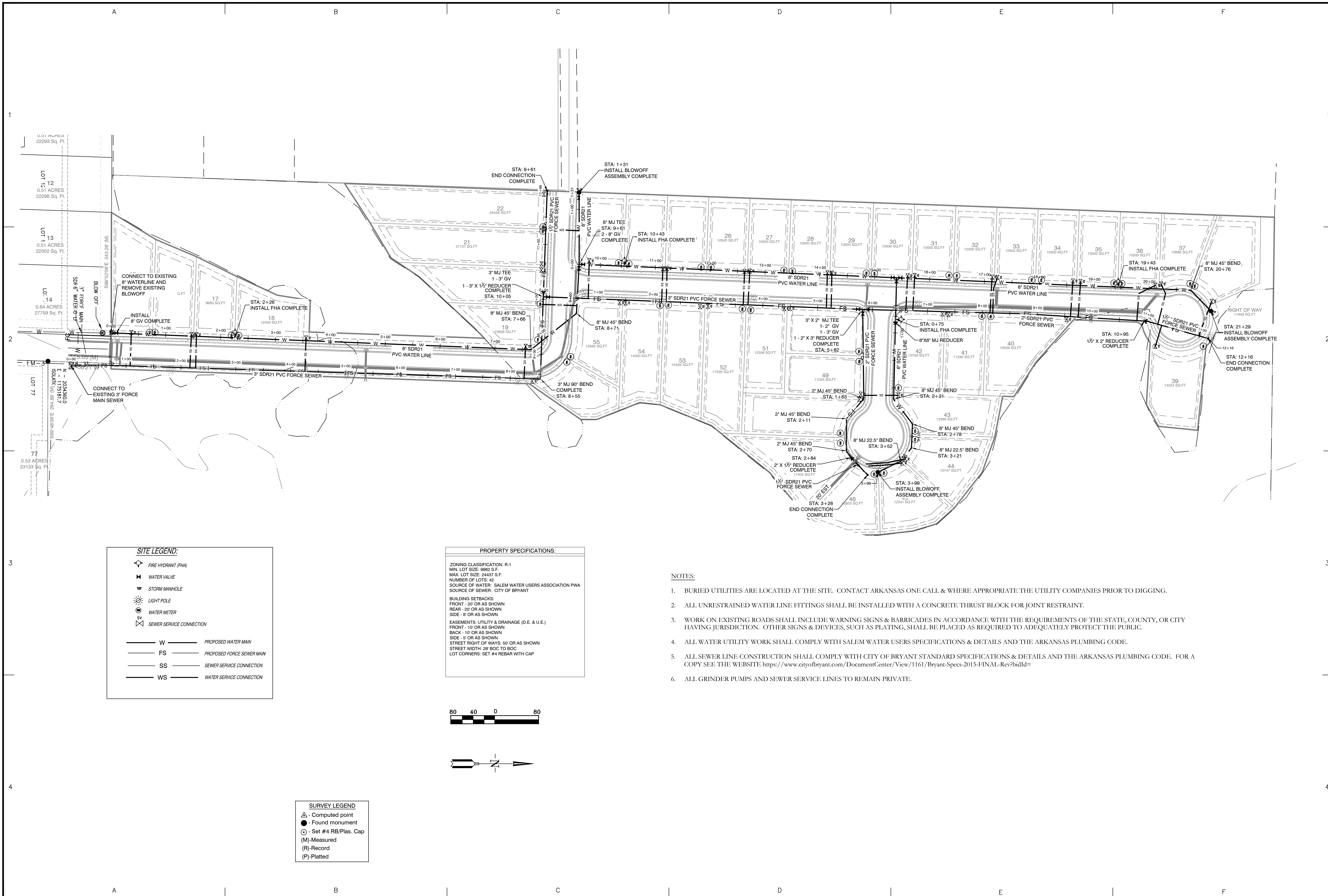
DATE:  
 JULY 2022

SHEET NO:

6



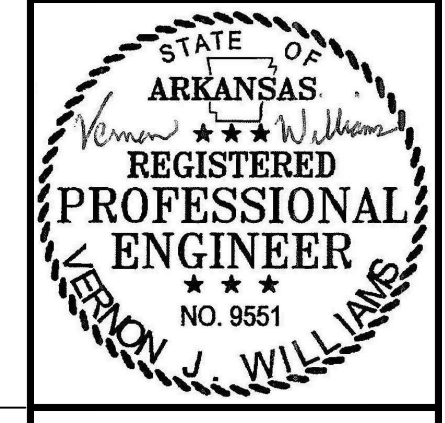




BY	REVISION
MN	AS PER CITY OF BRYANT
MN	RELOCATED FIRE HYDRANT

**GNE** Designing our client's success  
**GarNat Engineering, LLC**  
 P.O. Box 116 (72018)  
 3925 Mt. Carmel Road  
 Bryant, AR 72022  
 Ph (501) 408-4650  
 Fax (888) 900-3068  
 gnatengineering@gmail.com

**CREEKSIDE ADDITION PHASE 2**  
 PART OF THE EAST HALF OF  
 THE NORTHWEST QUARTER  
 SECTION 12, T-1-S, R-14-W,  
 SALINE COUNTY, ARKANSAS



09-09-2022

CONTENTS:  
**WATER & SEWER UTILITY PLAN**

PROJECT NO:  
**18054**

DATE:  
**AUGUST 2022**

SHEET NO:  
**7**

**SITE LEGEND:**

	FIRE HYDRANT (FHA)
	WATER VALVE
	STORM MANHOLE
	LIGHT POLE
	WATER METER
	SEWER SERVICE CONNECTION
	PROPOSED WATER MAIN
	PROPOSED FORCE SEWER MAIN
	SEWER SERVICE CONNECTION
	WATER SERVICE CONNECTION

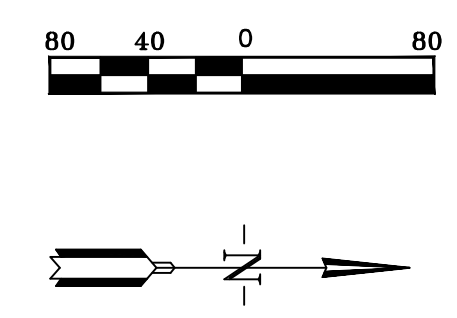
**PROPERTY SPECIFICATIONS:**

ZONING CLASSIFICATION: R-1  
 MIN. LOT SIZE: 9682 S.F.  
 MAX. LOT SIZE: 24437 S.F.  
 NUMBER OF LOTS: 42  
 SOURCE OF WATER: SALEM WATER USERS ASSOCIATION PWA  
 SOURCE OF SEWER: CITY OF BRYANT

**BUILDING SETBACKS:**  
 FRONT - 20' OR AS SHOWN  
 REAR - 20' OR AS SHOWN  
 SIDE - 8' OR AS SHOWN

**EASEMENTS: UTILITY & DRAINAGE (D.E. & U.E.)**  
 FRONT - 10' OR AS SHOWN  
 BACK - 10' OR AS SHOWN  
 SIDE - 5' OR AS SHOWN  
 STREET RIGHT OF WAYS: 50' OR AS SHOWN  
 STREET WIDTH: 28' BOC TO BOC  
 LOT CORNERS: SET #4 REBAR WITH CAP

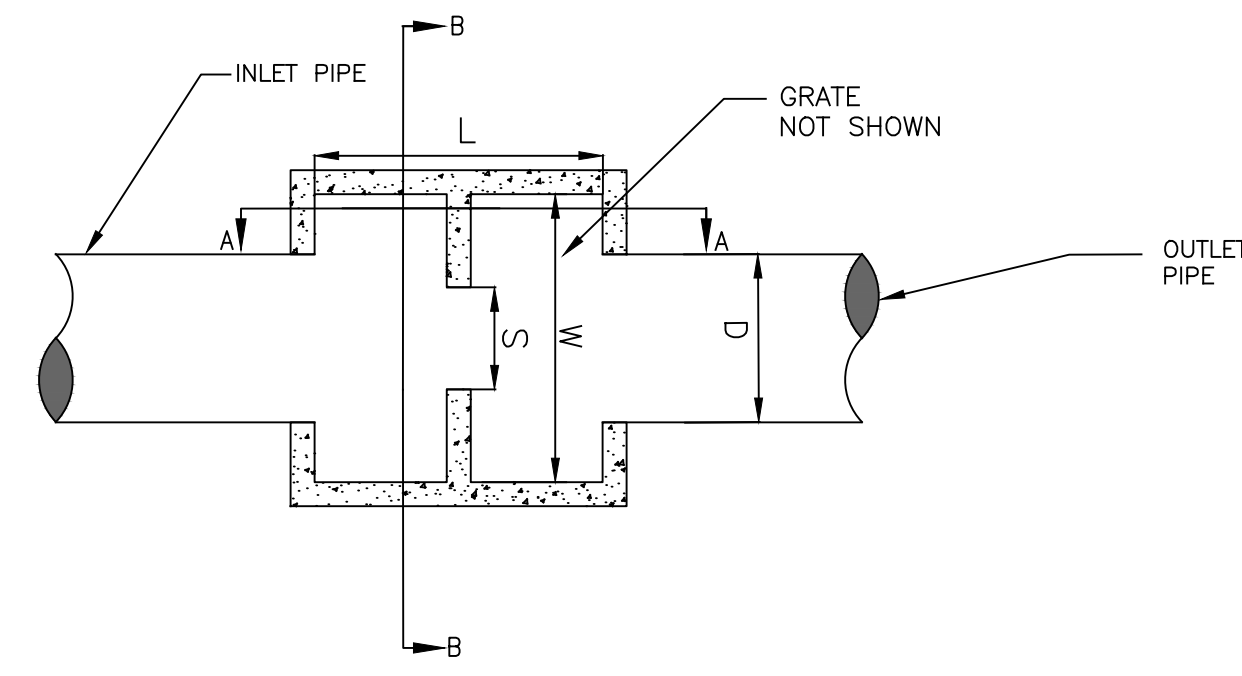
- NOTES:**
- BURIED UTILITIES ARE LOCATED AT THE SITE. CONTACT ARKANSAS ONE CALL & WHERE APPROPRIATE THE UTILITY COMPANIES PRIOR TO DIGGING.
  - ALL UNRESTRAINED WATER LINE FITTINGS SHALL BE INSTALLED WITH A CONCRETE THRUST BLOCK FOR JOINT RESTRAINT.
  - WORK ON EXISTING ROADS SHALL INCLUDE WARNING SIGNS & BARRICADES IN ACCORDANCE WITH THE REQUIREMENTS OF THE STATE, COUNTY, OR CITY HAVING JURISDICTION. OTHER SIGNS & DEVICES, SUCH AS PLATING, SHALL BE PLACED AS REQUIRED TO ADEQUATELY PROTECT THE PUBLIC.
  - ALL WATER UTILITY WORK SHALL COMPLY WITH SALEM WATER USERS SPECIFICATIONS & DETAILS AND THE ARKANSAS PLUMBING CODE.
  - ALL SEWER LINE CONSTRUCTION SHALL COMPLY WITH CITY OF BRYANT STANDARD SPECIFICATIONS & DETAILS AND THE ARKANSAS PLUMBING CODE. FOR A COPY SEE THE WEBSITE: <https://www.cityofbryant.com/DocumentCenter/View/1161/Bryant-Specs-2015-FINAL-Rev?bidId=>
  - ALL GRINDER PUMPS AND SEWER SERVICE LINES TO REMAIN PRIVATE.



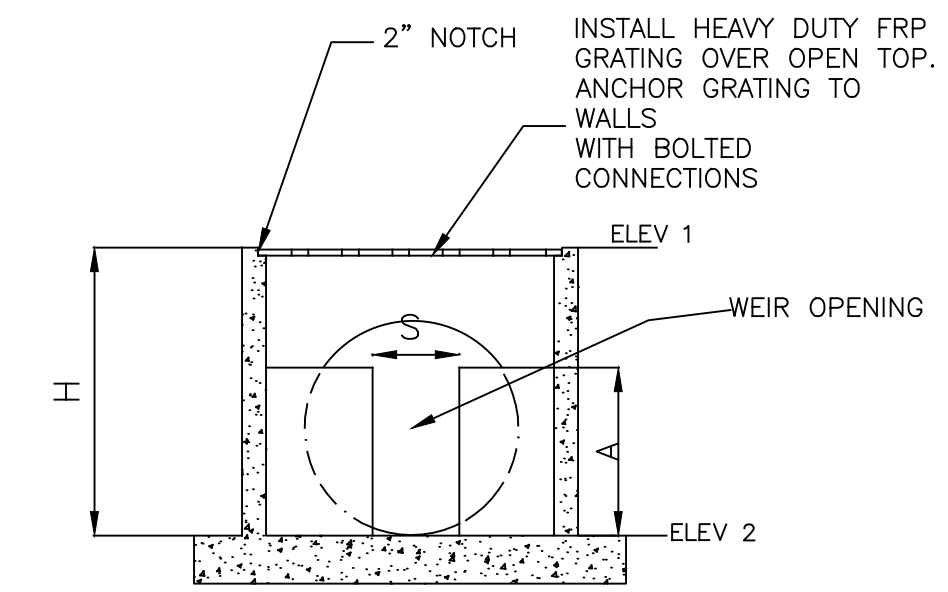
**SURVEY LEGEND**

	Computed point
	Found monument
	Set #4 RB/Plas. Cap
	Measured
	Record
	Platted

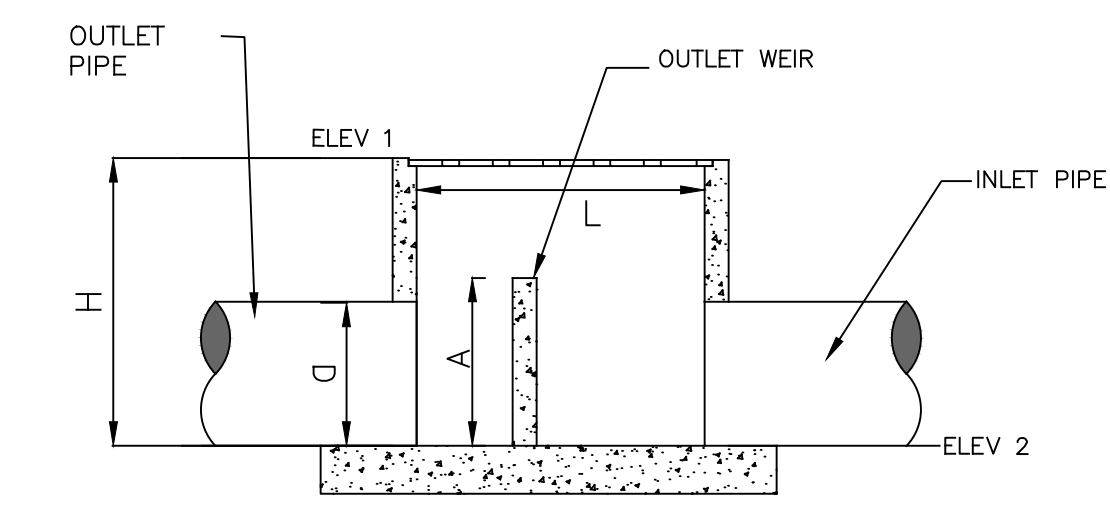




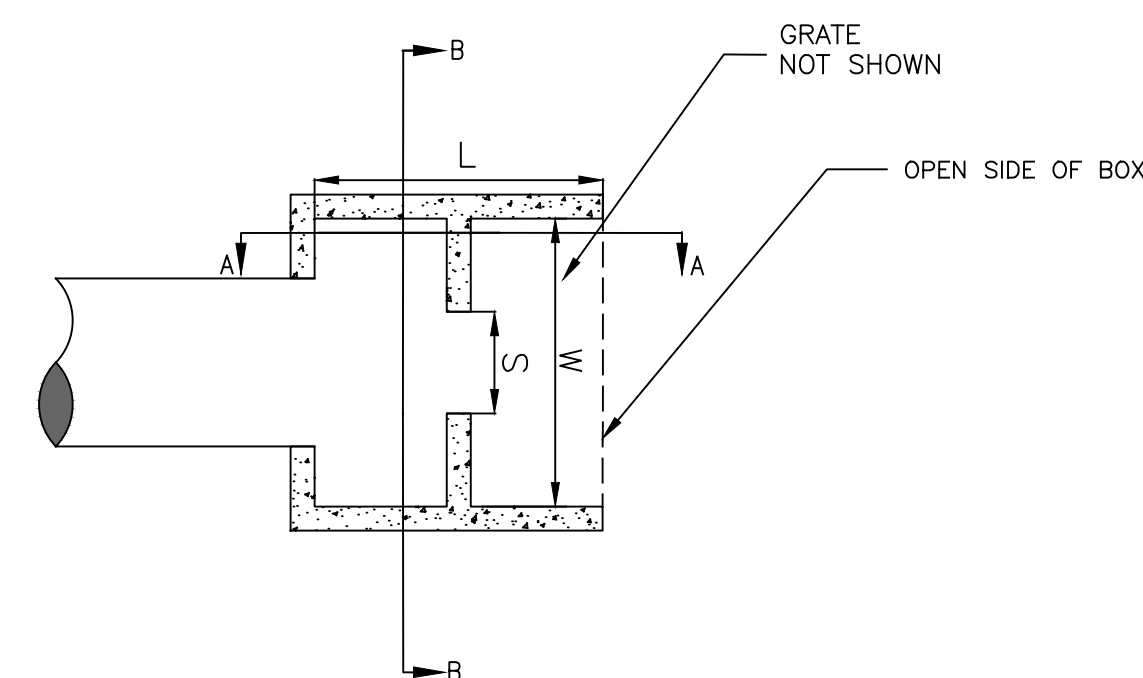
**OUTLET STRUCTURE - WEIR 1 AND 3**  
**PLAN VIEW**  
 NOT TO SCALE



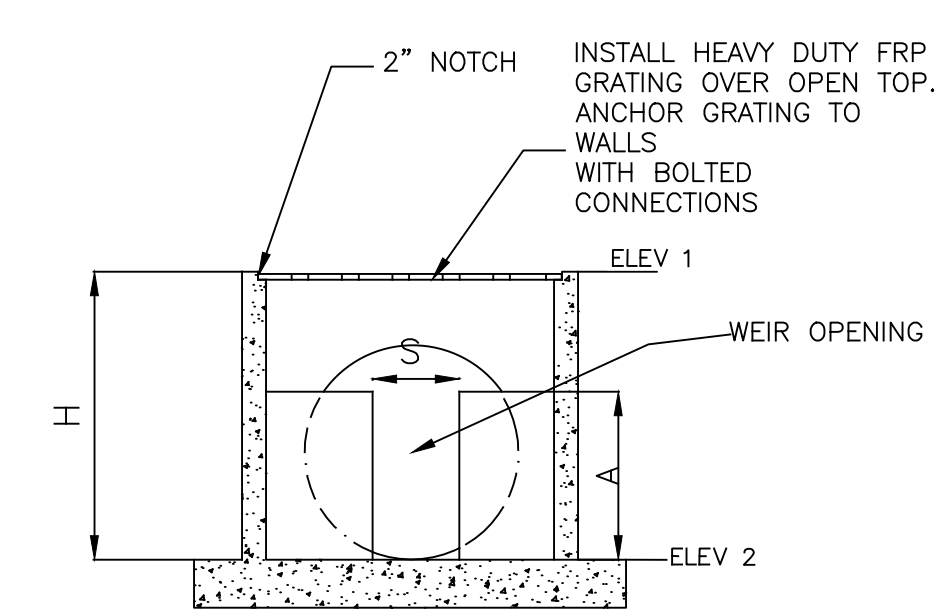
**OUTLET STRUCTURE - WEIR 1 AND 3**  
**SECTION B-B**  
 NOT TO SCALE



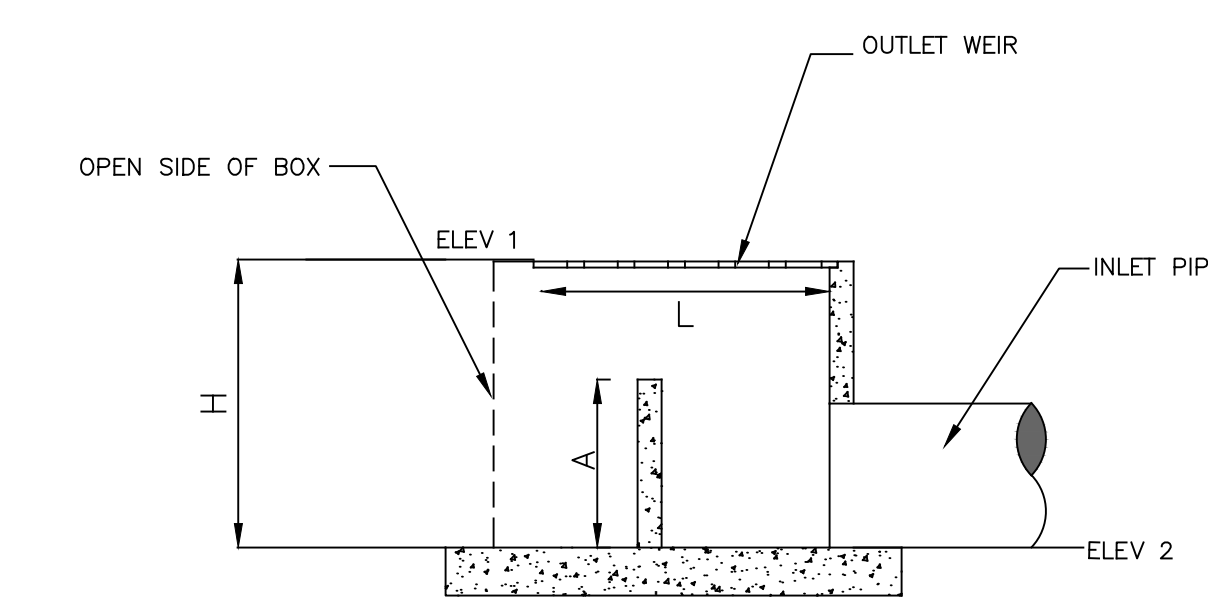
**OUTLET STRUCTURE - WEIR 1 AND 3**  
**SECTION A-A**  
 NOT TO SCALE



**OUTLET STRUCTURE - WEIR 2**  
**PLAN VIEW**  
 NOT TO SCALE



**OUTLET STRUCTURE - WEIR 2**  
**SECTION B-B**  
 NOT TO SCALE



**OUTLET STRUCTURE - WEIR 2**  
**SECTION A-A**  
 NOT TO SCALE

OUTLET STRUCTURE								
OUTLET STRUCTURE	L	W	H	ELEV 1	ELEV 2	S	A	D
WEIR #1	4'-0"	4'-0"	3'-11"	334.40	330.50	1'-3"	3'-0"	18"
WEIR #2	4'-0"	4'-0"	3'-9"	333.71	330.00	0'-3"	2'-6"	
WEIR #3	4'-0"	4'-0"	4'-8"	330.85	326.22	1'-6"	2'-6"	18"

- DETENTION OUTLET NOTES:**
- ALL CONCRETE WALLS SHALL BE A MINIMUM OF 6" THICK & REINFORCED WITH #4S @ 12" O.C. BOTH WAYS.
  - BOTTOM SLAB SHALL BE 12" THICK & REINFORCED WITH #4S @ 12" O.C. BOTH WAYS.

REVISION	DATE	BY

**GNE** Designing our client's success  
**GarNat Engineering, LLC**  
 3825 Mt Carmel Rd  
 Bryant, AR 72022  
 P.O. Box 116  
 Benton, AR 72018  
 Ph: (501) 408-4650  
 gnatengineering@gmail.com

**CREEKSIDE ADDITION PHASE 2**  
 PART OF THE EAST HALF OF  
 THE NORTHWEST QUARTER  
 SECTION 12, T-1-S, R-14-W,  
 SALINE COUNTY, ARKANSAS



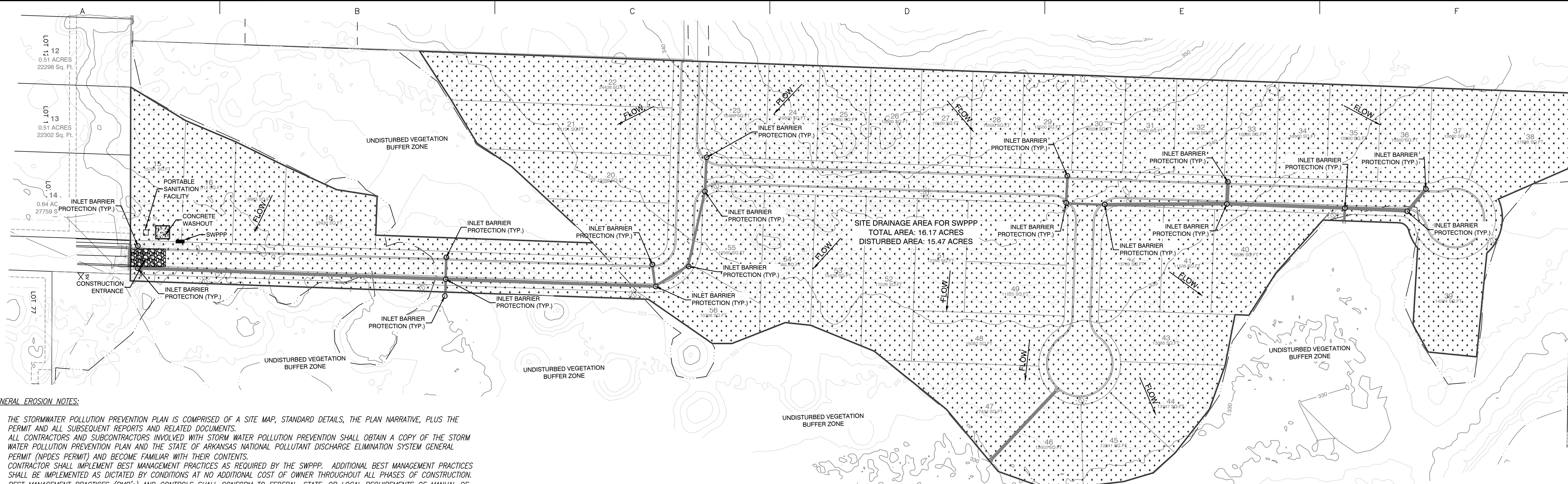
08-10-2022

CONTENTS:  
**OUTLET STRUCTURE DETAILS**

PROJECT NO:  
**18054**

DATE:  
**AUGUST 2022**

SHEET NO:  
**8**

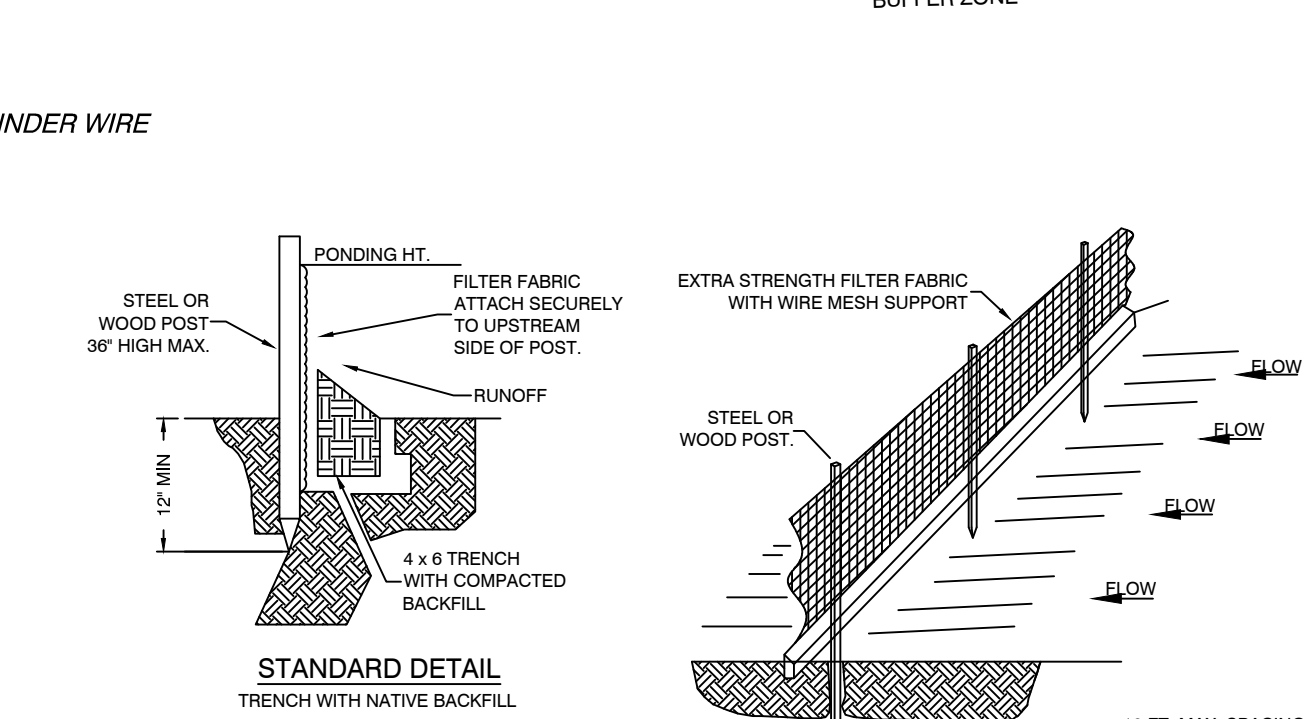
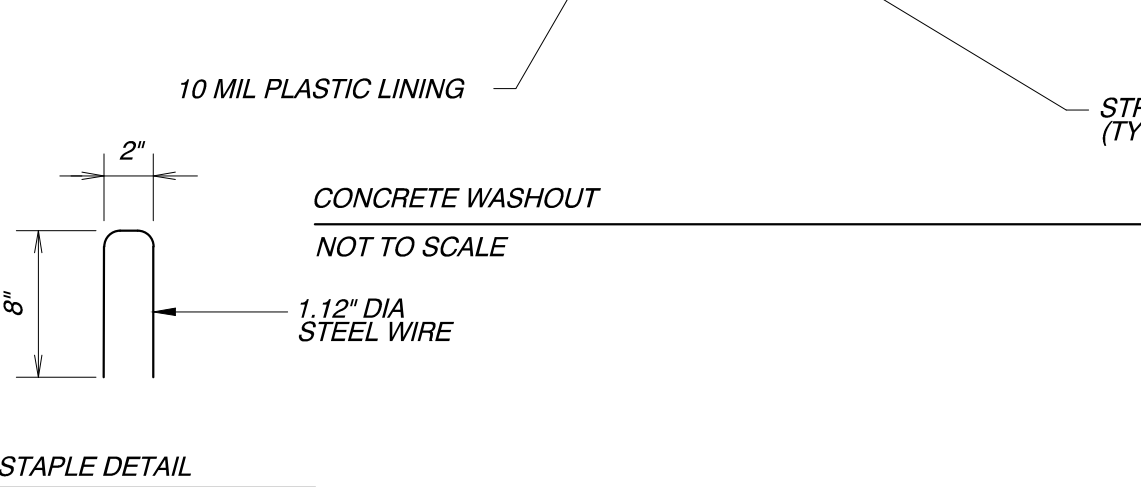
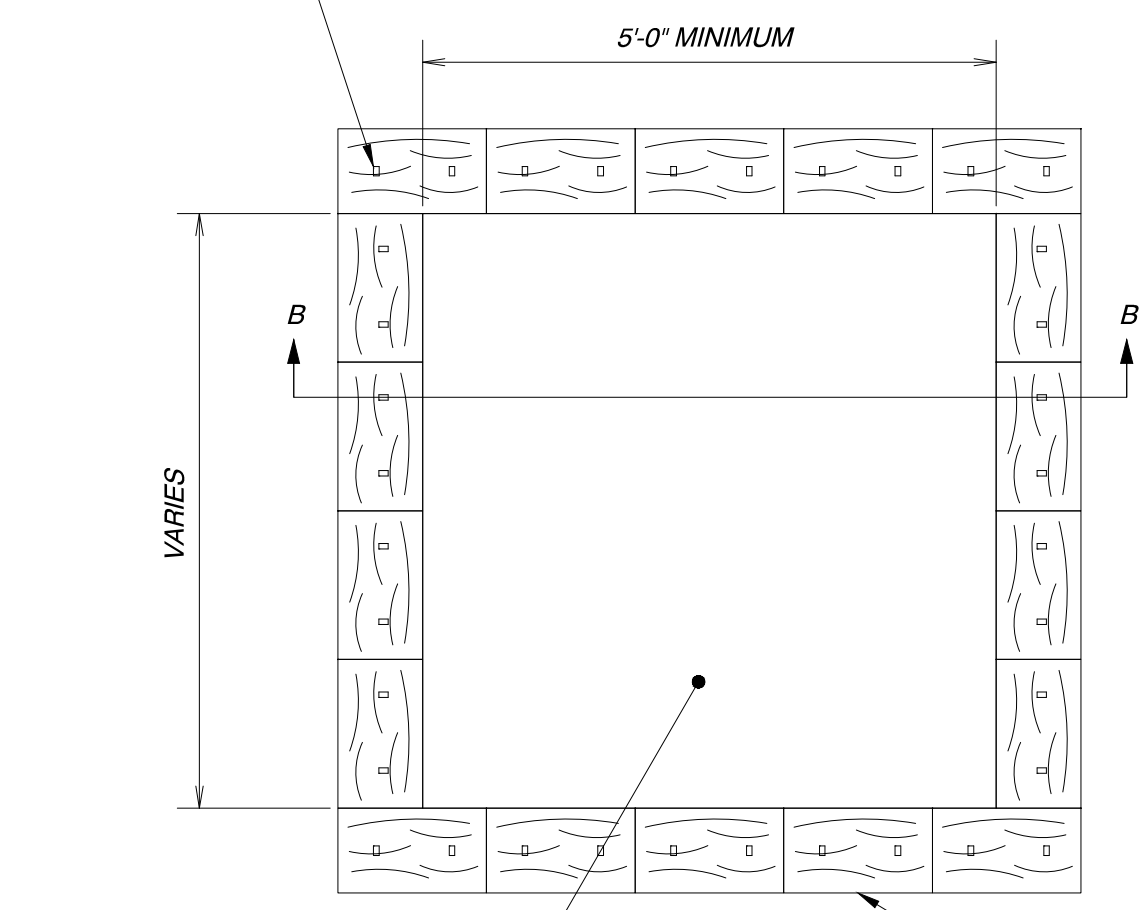
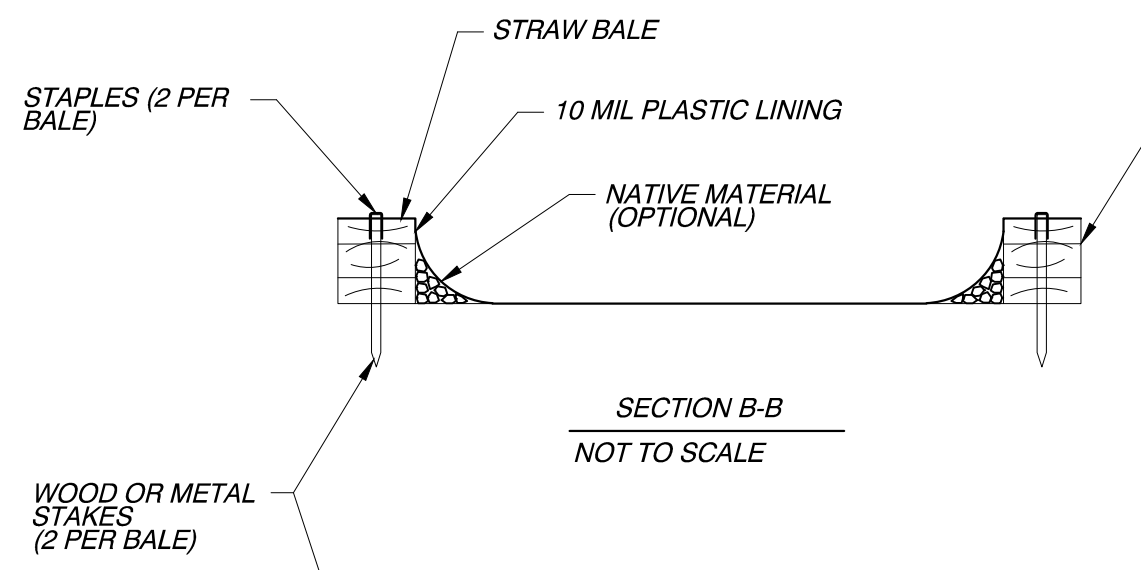


**GENERAL EROSION NOTES:**

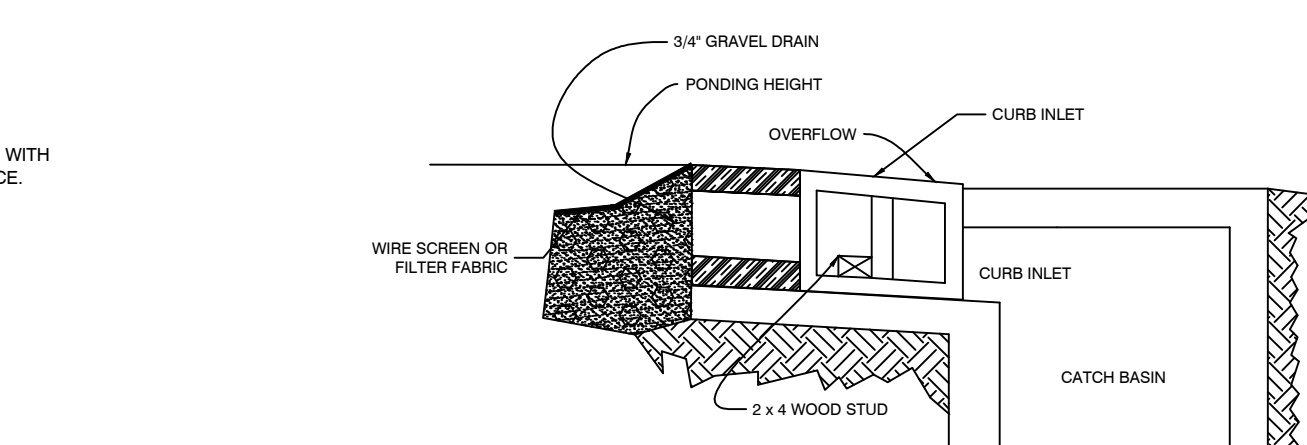
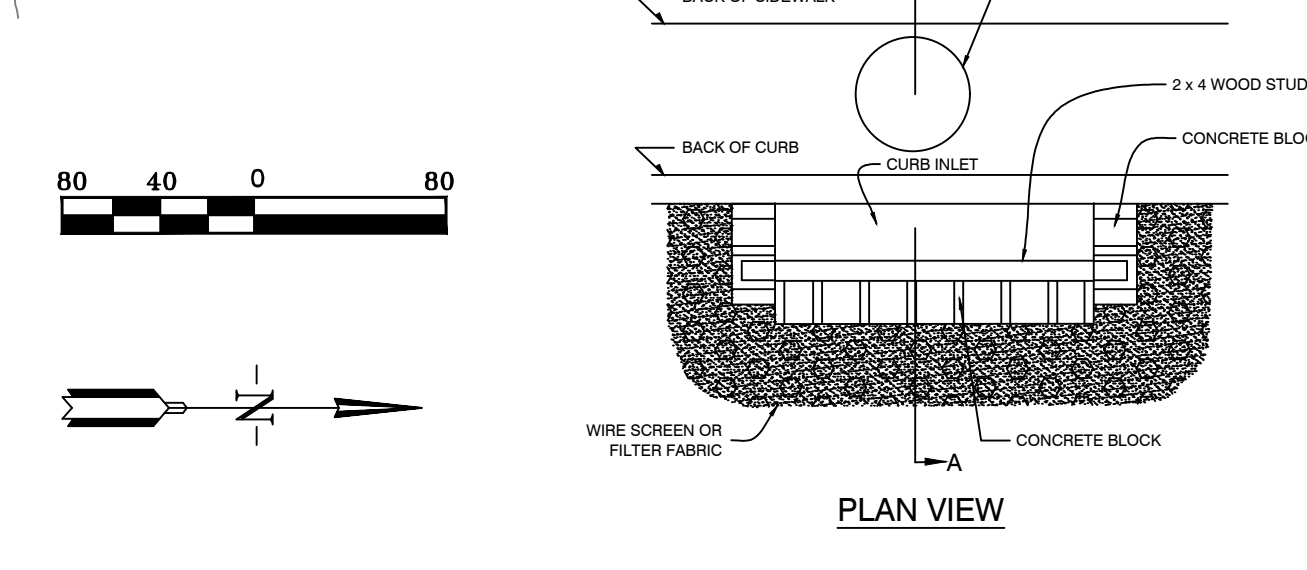
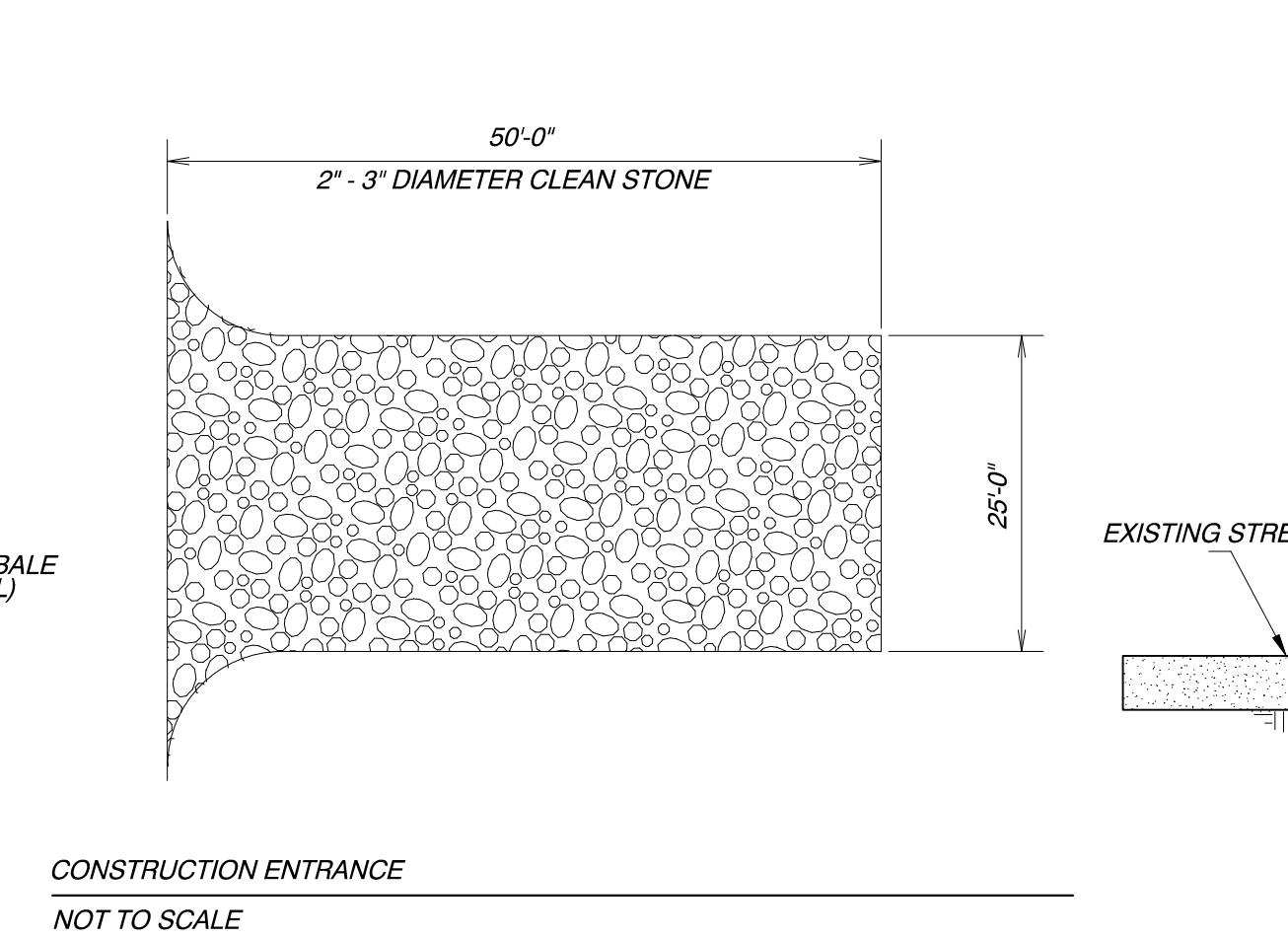
1. THE STORMWATER POLLUTION PREVENTION PLAN IS COMPRISED OF A SITE MAP, STANDARD DETAILS, THE PLAN NARRATIVE, PLUS THE PERMIT AND ALL SUBSEQUENT REPORTS AND RELATED DOCUMENTS.
2. ALL CONTRACTORS AND SUBCONTRACTORS INVOLVED WITH STORM WATER POLLUTION PREVENTION SHALL OBTAIN A COPY OF THE STORM WATER POLLUTION PREVENTION PLAN AND THE STATE OF ARKANSAS NATIONAL POLLUTANT DISCHARGE ELIMINATION SYSTEM GENERAL PERMIT (NPDES PERMIT) AND BECOME FAMILIAR WITH THEIR CONTENTS.
3. CONTRACTOR SHALL IMPLEMENT BEST MANAGEMENT PRACTICES AS REQUIRED BY THE SWPPP. ADDITIONAL BEST MANAGEMENT PRACTICES SHALL BE IMPLEMENTED AS DICTATED BY CONDITIONS AT NO ADDITIONAL COST OF OWNER THROUGHOUT ALL PHASES OF CONSTRUCTION.
4. BEST MANAGEMENT PRACTICES (BMP'S) AND CONTROLS SHALL CONFORM TO FEDERAL, STATE, OR LOCAL REQUIREMENTS OF MANUAL OF PRACTICE, AS APPLICABLE. CONTRACTOR SHALL IMPLEMENT ADDITIONAL CONTROLS AS DIRECTED BY PERMITTING AGENCY OR OWNER.
5. SITE MAP MUST CLEARLY DELINEATE ALL STATE WATERS, PERMITS FOR ANY CONSTRUCTION ACTIVITY IMPACTING STATE WATERS OR REGULATED WETLANDS MUST BE MAINTAINED ON SITE AT ALL TIMES.
6. CONTRACTOR SHALL MINIMIZE CLEARING TO THE MAXIMUM EXTENT PRACTICAL OR AS REQUIRED BY THE GENERAL PERMIT.
7. GENERAL CONTRACTOR SHALL DENOTE ON PLAN THE TEMPORARY PARKING AND STORAGE AREA WHICH SHALL ALSO BE USED AS THE EQUIPMENT MAINTENANCE AND CLEANING AREA, EMPLOYEE PARKING AREA, AND AREA FOR LOCATING PORTABLE FACILITIES, OFFICE TRAILERS AND TOILET FACILITIES.
8. ALL WASH WATER (CONCRETE TRUCKS, VEHICLE CLEANING, EQUIPMENT CLEANING, ETC.) SHALL BE DETAINED AND PROPERLY TREATED OR DISPOSED.
9. SUFFICIENT OIL AND GREASE ABSORBING MATERIALS AND FLotation BOOMS SHALL BE MAINTAINED ON SITE OR READILY AVAILABLE TO CONTAIN AND CLEANUP FUEL OR CHEMICAL SPILLS AND LEAKS.
10. DUST ON THE SITE SHALL BE CONTROLLED. THE USE OF MOTOR OILS AND OTHER PETROLEUM BASED OR TOXIC LIQUIDS FOR DUST SUPPRESSION OPERATIONS IS PROHIBITED.
11. RUBBISH, TRASH, CARBAGE, LITTER, OR OTHER SUCH MATERIALS SHALL BE DEPOSITED INTO SEALED CONTAINERS. MATERIAL SHALL BE PREVENTED FROM LEAVING THE PREMISES THROUGH THE ACTION OF WIND OR STORMWATER DISCHARGE INTO DRAINAGE DITCHES OR WATERS OF THE STATE.
12. ALL STORM WATER POLLUTION PREVENTION MEASURES PRESENTED ON THIS PLAN, AND IN THE STORM WATER POLLUTION PREVENTION PLAN, SHALL BE INITIATED AS SOON AS PRACTICABLE.
13. DISTURBED PORTIONS OF THE SITE WHERE CONSTRUCTION ACTIVITY HAS STOPPED FOR AT LEAST 14 DAYS, SHALL BE TEMPORARILY SEEDED. THESE AREAS SHALL BE SEEDED NO LATER THAN 14 DAYS FROM THE LAST CONSTRUCTION ACTIVITY OCCURRING IN THESE AREAS.
14. DISTURBED PORTIONS OF THE SITE WHERE CONSTRUCTION ACTIVITY HAS PERMANENTLY STOPPED SHALL BE PERMANENTLY SEEDED. THESE AREAS SHALL BE SEEDED NO LATER THAN 14 DAYS AFTER THE LAST CONSTRUCTION ACTIVITY OCCURRING IN THESE AREAS. REFER TO THE GRADING PLAN AND/OR LANDSCAPE PLAN.
15. IF THE ACTION OF VEHICLES TRAVELING OVER THE GRAVEL CONSTRUCTION ENTRANCES IS NOT SUFFICIENT TO REMOVE THE MAJORITY OF DIRT OR MUD, THEN THE TIRES MUST BE WASHED BEFORE THE VEHICLES ENTER A PUBLIC ROAD. IF WASHING IS USED, PROVISIONS MUST BE MADE TO INTERCEPT THE WASH WATER AND TRAP THE SEDIMENT BEFORE IT IS CARRIED OFF OF THE SITE.
16. ALL MATERIALS SPILLED, DROPPED, WASHED OR TRACKED FROM VEHICLES ONTO ROADWAYS OR INTO STORM DRAINS MUST BE REMOVED IMMEDIATELY.
17. CONTRACTORS OR SUBCONTRACTORS WILL BE RESPONSIBLE FOR REMOVING SEDIMENT IN THE DETENTION POND AND ANY SEDIMENT THAT MAY HAVE COLLECTED IN THE STORM SEWER DRAINAGE SYSTEMS IN CONJUNCTION WITH THE STABILIZATION OF THE SITE.
18. ON-SITE & OFF SITE SOIL STOCKPILE AND BORROW AREAS SHALL BE PROTECTED FROM EROSION AND SEDIMENTATION THROUGH IMPLEMENTATION OF BEST MANAGEMENT PRACTICES. STOCKPILE AND BORROW AREA LOCATIONS SHALL BE NOTED ON THE SITE MAP AND PERMITTED IN ACCORDANCE WITH GENERAL PERMIT REQUIREMENTS.
19. SLOPES SHALL BE LEFT IN A ROUGHENED CONDITION DURING THE GRADING PHASE TO REDUCE RUNOFF VELOCITIES AND EROSION.
20. DUE TO THE GRADE CHANGES DURING THE DEVELOPMENT OF THE PROJECT, THE CONTRACTOR SHALL BE RESPONSIBLE FOR ADJUSTING THE EROSION CONTROL MEASURES (SILT FENCES, STRAW BALES, ETC.) TO PREVENT EROSION.
21. ALL CONSTRUCTION SHALL BE STABILIZED AT THE END OF EACH WORKING DAY, THIS INCLUDES BACKFILLING OF TRENCHES FOR UTILITY CONSTRUCTION AND PLACEMENT OF GRAVEL OR BITUMINOUS PAVING FOR ROAD CONSTRUCTION.

**SEQUENCE OF CONSTRUCTION:**

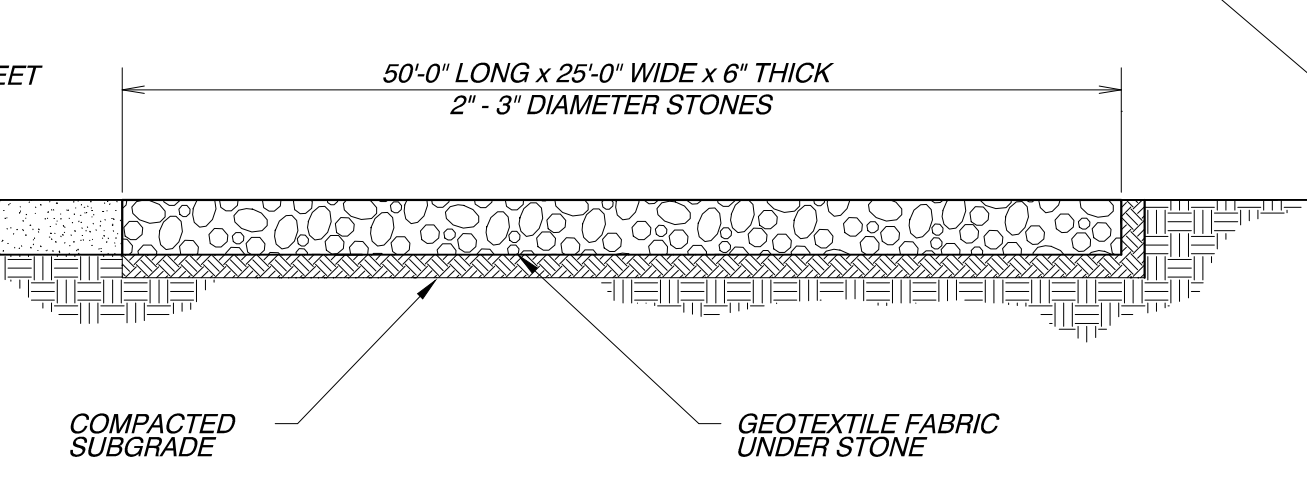
- PHASE I**
1. CONSTRUCT THE SILT FENCES ON THE SITE.
  2. CONSTRUCT THE ROCK CHECK DAMS AND SEDIMENT TRAP BASINS.
  3. INSTALL STABILIZED CONSTRUCTION ENTRANCES.
  4. CLEAR AND GRUB THE SITE.
  5. PREPARE TEMPORARY PARKING AND STORAGE AREA. UPON IMPLEMENTATION AND INSTALLATION OF THE FOLLOWING AREAS: TRAILER, PARKING, LAY DOWN, PORTA POTTY, WHEEL WASH, CONCRETE WASHOUT, MASONS AREA, FUEL AND MATERIAL STORAGE CONTAINERS, SOLID WASTE CONTAINERS, ETC., DENOTE THEM ON THE SITE MAPS IMMEDIATELY AND NOTE ANY CHANGES IN THE LOCATIONS AS THEY OCCUR THROUGHOUT THE CONSTRUCTION PROCESS.
  6. HALT ALL ACTIVITIES AND CONTACT THE CIVIL ENGINEERING CONSULTANT TO PERFORM INSPECTION OF BMP(S). GENERAL CONTRACTOR SHALL SCHEDULE AND CONDUCT STORM WATER PRECONSTRUCTION MEETING WITH ENGINEER AND ALL GROUND DISTURBING CONTRACTORS BEFORE PROCEEDING WITH CONSTRUCTION.
  7. BEGIN GRADING THE SITE.
- PHASE II**
1. TEMPORARILY SEED DENUDED AREAS.
  2. INSTALL UTILITIES, UNDERDRAINS, STORM SEWERS, AND ROAD IMPROVEMENTS.
  3. INSTALL RIP RAP AROUND OUTLET STRUCTURES.
  4. INSTALL INLET PROTECTION AROUND ALL STORM SEWER STRUCTURES.
  5. PREPARE SITE FOR PAVING.
  6. PAVE SITE.
  7. COMPLETE GRADING AND INSTALL PERMANENT SEEDING AND PLANTING.
  8. REMOVE ALL TEMPORARY EROSION AND SEDIMENT CONTROL DEVICES (ONLY IF SITE IS STABILIZED)



- NOTE:**
- 1) INSPECT AND REPAIR FENCE AFTER EACH STORM EVENT AND REMOVE SEDIMENT WHEN NECESSARY.
  - 2) REMOVED SEDIMENT SHALL BE DEPOSITED TO AN AREA THAT WILL NOT CONTRIBUTE SEDIMENT OFF-SITE AND CAN BE PERMANENTLY STABILIZED.
  - 3) SILT FENCE SHALL BE PLACED ON SLOPE CONTOURS TO MAXIMIZE PONDING EFFICIENCY.



- NOTES:**
- 1) USE BLOCK AND GRAVEL TYPE SEDIMENT BARRIER WHEN CURB INLET IS LOCATED IN GENTLY SLOPING STREET SEGMENT, WHERE WATER CAN FLOW AND ALLOW SEDIMENT TO SEPARATE FROM RUNOFF.
  - 2) BARRIER SHALL ALLOW FOR OVERFLOW FROM SEVERE STORM EVENT.
  - 3) INSPECT BARRIERS AND REMOVE SEDIMENT AFTER EACH STORM EVENT. SEDIMENT AND GRAVEL MUST BE REMOVED FROM THE TRAVELED WAY IMMEDIATELY.



**GNE** Designing our client's success

**GarNat Engineering, LLC**  
 P.O. Box 116 (72018) Ph (501) 408-4650  
 3925 Mt. Carmel Road Fx (888) 900-3068  
 Bryant, AR 72022 gnatengineering@gmail.com

REVISION: BY: MN  
 DATE: 8/30/22 AS PER CITY OF BRYANT

**CREEKSIDE ADDITION PHASE 2**

PART OF THE EAST HALF OF THE NORTHWEST QUARTER SECTION 12, T-1-S, R-14-W, SALINE COUNTY, ARKANSAS

STATE OF ARKANSAS  
 REGISTERED PROFESSIONAL ENGINEER  
 NO. 9551  
 J. WILLIAMS

08-30-2022

CONTENTS:  
**EROSION CONTROL PLAN**

PROJECT NO:  
**18054**

DATE:  
**AUGUST 2022**

SHEET NO:  
**9**