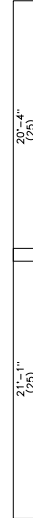
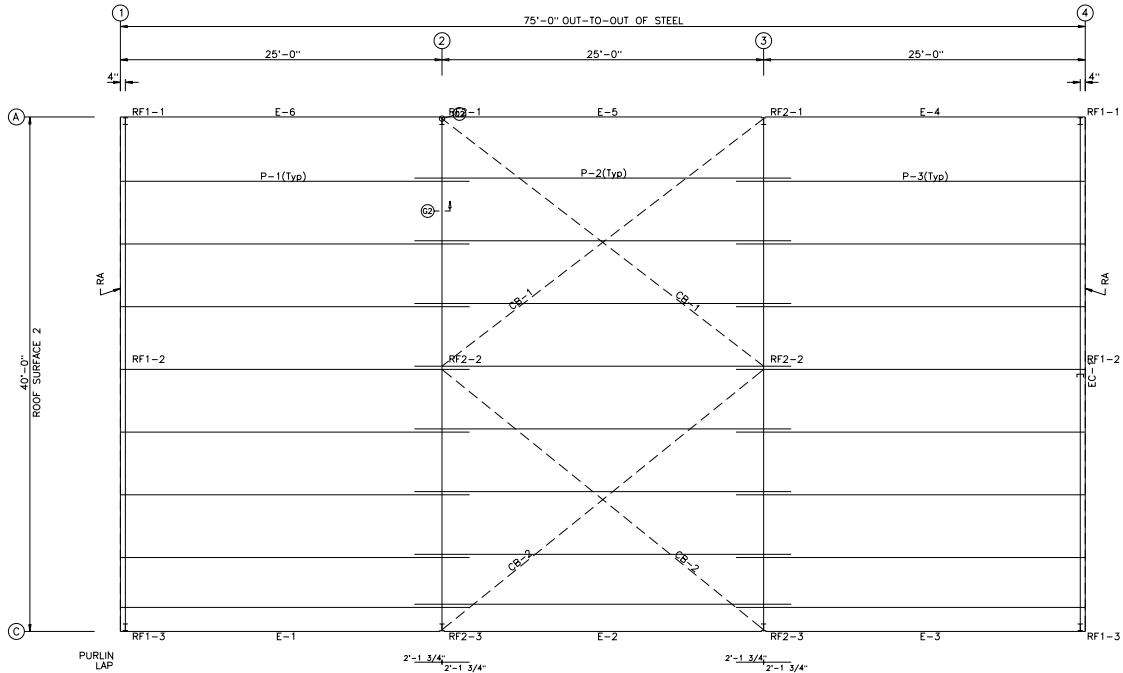



Unless noted, drawings are for conceptual purposes only.  
Please review for building dimensions and framed openings accuracy.  
All other aspects such as wall girt and roof purlin spacing, wind  
bracing locations, etc. may change during engineered design unless  
noted in the "Special Requirements" section of the contract.



ROOF FRAMING PLAN

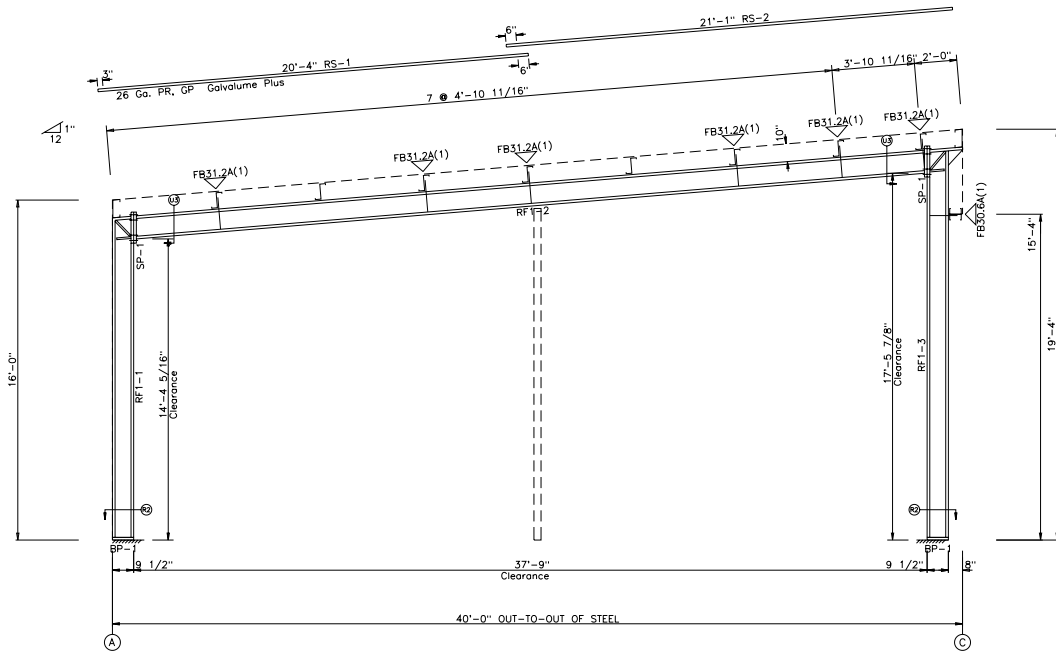
ROOF SHEETING  
 PANELS: 26 Ga. PBR  
 GP Galvalume Plus

		<b>MUELLER, INC.</b> STEEL BUILDING SYSTEMS & COMPONENTS 1913 Hutchins Ave.      Ballinger, TX 76821 (800) 527-1087      (325) 365-8103 (Fax)					
		DESCRIPTION	ROOF FRAMING	#File			
SIZE	40'-0" x 75'-0" x 16'-0" x 19'-4"		ROOF SLOPE	1:0.12			
CUSTOMER	Giron Builders, Inc.						
LOCATION	Project Address 2						
DRAWN BY	OK'D BY	DATE	SCALE	SALESMAN	JOB NO.	SHEET NO.	REV.
ACT		4/19/24	NONE	Damon Morris	96067918_MBS	000000	01

SPLICE PLATE & BOLT TABLE										
Mark	Qty	Top	Bot	Int	Type	Dia	Length	Width	Thick	Length
SP-1	4	4	0	A325	0.750	2.50	6"	1/2"	1'-4	1/2"


BASE PLATE TABLE			
Col	Mark	Plate Size	Length
	BP-1	6" x 1/2" x 10"	10"

▽ FLANGE BRACES: FBxx (1 or 2)  
 xx=length(in)  
 (1) One Side; (2) Two Sides  
 A - FB2X2X12



RIGID FRAME ELEVATION: FRAME LINE 1 4

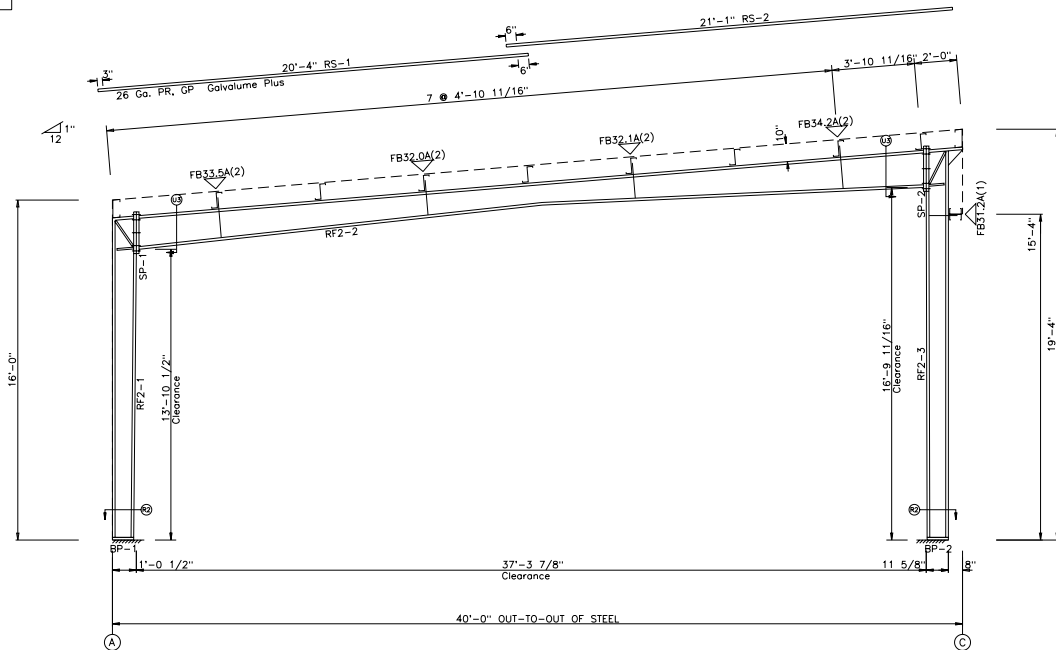
**\*\* THIS ENDWALL FRAME IS NOT EXPANDABLE \*\***  
 (Will be verified during renumbering)

		<b>MUELLER, INC.</b> STEEL BUILDING SYSTEMS & COMPONENTS 1913 Hutchins Ave.      Ballinger, TX 76821 (800) 527-1087      (325) 365-8103 (Fax)	
		DESCRIPTION	RIGID FRAME ELEVATION
SIZE	40'-0" x 75'-0" x 16'-0" x 19'-4"	ROOF SLOPE	1.0:12
CUSTOMER	Giron Builders, Inc.		
LOCATION	Project Address 2		
DATE	4/19/24	SCALE	NONE
ACT	OK'D BY	DATE	SALESMAN
		4/19/24	Damon Morris
			JOB NO.
			96067918_MBS
			SHEET NO.
			000000
			REV.
			0R

SPLICE PLATE & BOLT TABLE										
Mark	Qty	Top	Bot	Int	Type	Dia	Length	Width	Thick	Length
SP-1	4	4	2	A325	0.750	2.50	6"	1/2"	1'-10"	1/2"
SP-2	4	2	A325	0.750	2.50	6"	1/2"	2'-0"	1/2"	


BASE PLATE TABLE				
Col	Plate Size			
Mark	Width	Thick	Length	
BP-1	6"	1/2"	10"	
BP-2	6"	1/2"	10"	

▽ FLANGE BRACES: FBxx (1 or 2)  
 xx=length(in)  
 (1) One Sides (2) Two Sides  
 A - FB2X2X12



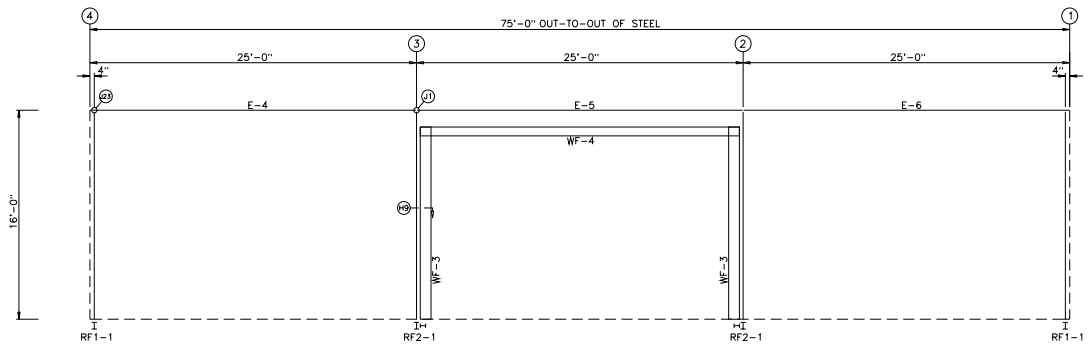
RIGID FRAME ELEVATION: FRAME LINE 2 3

**\*\* THIS ENDWALL FRAME IS NOT EXPANDABLE \*\***  
 (Will be verified during renumbering)

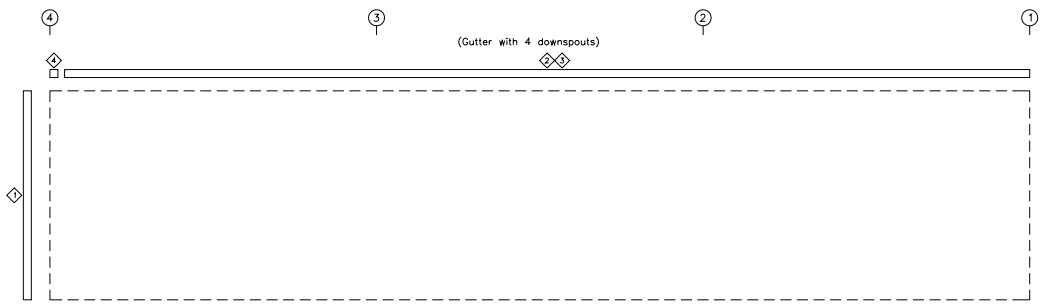
		<b>MUELLER, INC.</b> STEEL BUILDING SYSTEMS & COMPONENTS 1913 Hutchins Ave.      Ballinger, TX 76821 (800) 527-1087      (325) 365-8103 (Fax)	
		DESCRIPTION	RIGID FRAME ELEVATION
SIZE	40'-0" x 75'-0" x 16'-0" x 19'-4"	CUSTOMER	Giron Builders, Inc.
LOCATION	Project Address 2	DATE	SCALE
DRAWN BY	ACT	4/19/24	SCALE
SALESMAN	Damon Morris	JOB NO.	96067918_MBS
SHEET NO.	000000	REV.	0R

BOLT TABLE				
FRAME LINE A				
LOCATION	QUAN	TYPE	DIA	LENGTH
WF-3 - WF-4	8	A325	3/4"	2 1/2"
WF-3 - RF2-1	10	A325	3/4"	2 1/2"

TRIM TABLE		
FRAME LINE A		
OID	PART	DETAIL
1	#0350	Open End
2	#0500	Gutter
3	#0800	Eave
4	#1471	Corner Box



SIDEWALL FRAMING: FRAME LINE A



SIDEWALL SHEETING & TRIM: FRAME LINE A

**GENERAL NOTES:**

**\*\*CAUTION\*\***

UP TO  $\emptyset$ BDS ADDITIONAL LINEAR FEET (MEASURED HORIZONTALLY) OF PANELS MAY BE REMOVED FOR FIELD LOCATED FRAMED OPENINGS WITHOUT AFFECTING THE DIAPHRAGM STRENGTH OF THE SIDEWALL PANELS.

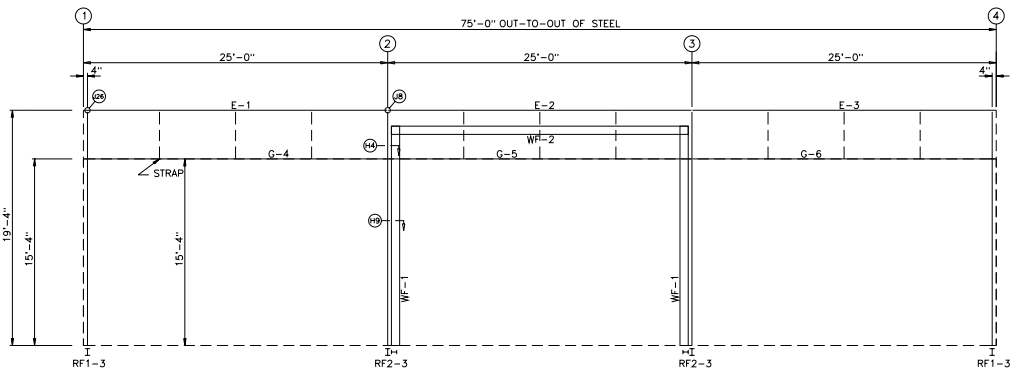
**MUELLER, INC.**  
 STEEL BUILDING SYSTEMS & COMPONENTS

1913 Hutchins Ave.      Ballinger, TX 76821  
 (800) 527-1087      (325) 365-8103 (Fax)

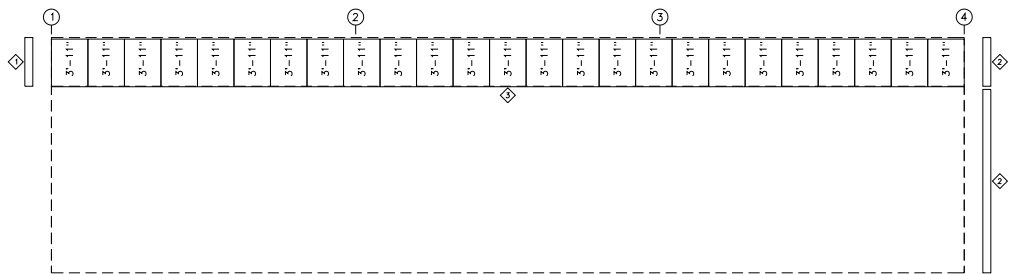
DESCRIPTION		SIDEWALL FRAMING		#File
SIZE	40'-0" x 75'-0" x 16'-0" x 19'-4"			ROOF SLOPE 1:0.12
CUSTOMER Giron Builders, Inc.				
LOCATION Project Address 2				
DRN. BY	OK'D BY	DATE	SCALE	SALESMAN
ACT		4/19/24	NONE	Damon Morris
		JOB NO.	96067918_MBS	SHEET NO. 000000
		REV.		BR

BOLT TABLE				
FRAME LINE C				
LOCATION	QUAN	TYPE	DIA	LENGTH
WF-1	WF-2	8	A325	3/4" x 2 1/2"
WF-1	RF2-3	12	A325	3/4" x 2 1/2"

TRIM TABLE		
FRAME LINE C		
OID	PART	DETAIL
1	#0350	Open End
2	#0161	Corner
3	#0300	Hegder



SIDEWALL FRAMING: FRAME LINE C



SIDEWALL SHEETING & TRIM: FRAME LINE C

PANELS: 26 Ga. PR - LGR Lt Gray

**GENERAL NOTES:**

**\*\*CAUTION\*\***

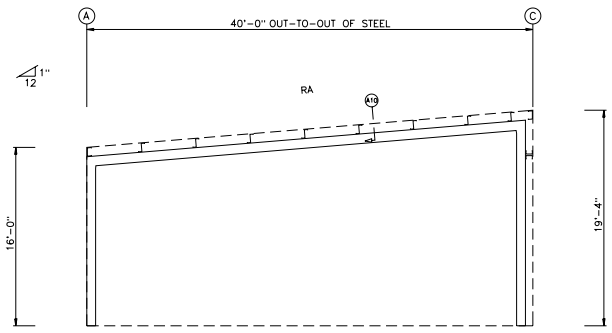
UP TO @FDS ADDITIONAL LINEAR FEET (MEASURED HORIZONTALLY) OF PANELS MAY BE REMOVED FOR FIELD LOCATED FRAMED OPENINGS WITHOUT AFFECTING THE DIAPHRAGM STRENGTH OF THE SIDEWALL PANELS.

**MUELLER, INC.**  
 STEEL BUILDING SYSTEMS & COMPONENTS

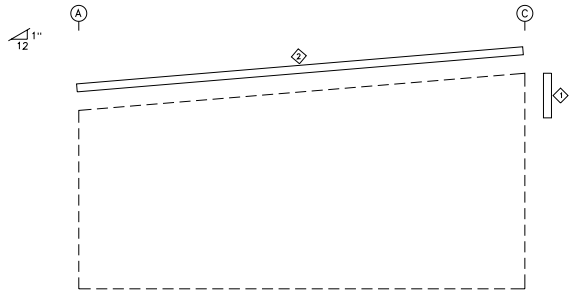
1913 Hutchins Ave.      Ballinger, TX 76821  
 (800) 527-1087      (325) 365-8103 (Fax)

DESCRIPTION		SIDEWALL FRAMING		#File
SIZE	40'-0" x 75'-0" x 16'-0" x 19'-4"			ROOF SLOPE 1:0.12
CUSTOMER	Giron Builders, Inc.			
LOCATION	Project Address 2			
DRWG. BY	DATE	SCALE	SALESMAN	JOB NO.
ACT	4/19/24	NONE	Damon Morris	96067918_MBS
				SHEET NO. 1:0.12
				REV. 000000 GR

TRIM TABLE		FRAME LINE 1
OID	PART	DETAIL
1	#0350	Open End
2	#0440	Rake



ENDWALL FRAMING: FRAME LINE 1



ENDWALL SHEETING & TRIM: FRAME LINE 1

**GENERAL NOTES:**

ROOF SLOPES GREATER THAN 1:12 REQUIRE ENDWALL PANELS BE FIELD CUT TO MATCH ROOF SLOPE.

**\*\*CAUTION\*\***

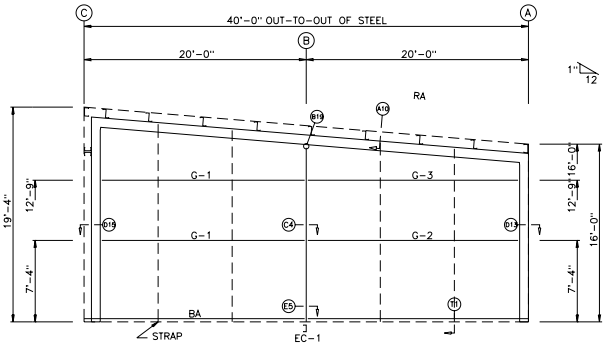
UP TO 6LDS ADDITIONAL LINEAR FEET (MEASURED HORIZONTALLY) OF PANELS MAY BE REMOVED FOR FIELD LOCATED FRAMED OPENINGS WITHOUT AFFECTING THE DIAPHRAGM STRENGTH OF THE ENDWALL PANELS.

ALL ENDWALL COLUMNS AND JAMBS ARE DESIGNED AS "POSTS" AS DEFINED BY OSHA AND ARE NOT INTENDED TO BE CLIMBED ON UNTIL FULLY BRACED.

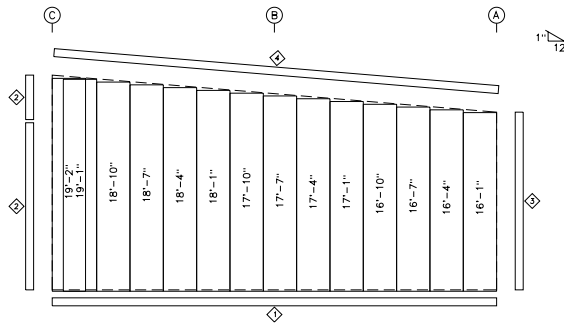
<b>MUELLER, INC.</b> STEEL BUILDING SYSTEMS & COMPONENTS 1913 Hutchins Ave.      Ballinger, TX 76821 (800) 527-1087      (325) 365-8103 (Fax)			
			#File
DESCRIPTION	ENDWALL FRAMING	ROOF SLOPE	1.0:12
SIZE	40'-0" x 75'-0" x 16'-0" x 19'-4"		
CUSTOMER	Giron Builders, Inc.		
LOCATION	Project Address 2		
DRW. BY	OK'D BY	DATE	SCALE
ACT		4/19/24	NONE
SALESMAN	JOB NO.	SHEET NO.	REV.
Damon Morris	96067918_MBS	000000	0R

BOLT TABLE			
FRAME LINE 4			
LOCATION	QUAN	TYPE	DIA
Columns/Raft	2	A325	5/8" 2"

TRIM TABLE		
FRAME LINE 4		
ID	PART	DETAIL
1	#0330	Base
2	#0161	Corner
3	#0350	Open End
4	#1440	Rake



ENDWALL FRAMING: FRAME LINE 4



ENDWALL SHEETING & TRIM: FRAME LINE 4

PANELS: 26 Ga. PR - LGR Lt Gray

GENERAL NOTES:

ROOF SLOPES GREATER THAN 1:12 REQUIRE ENDWALL PANELS BE FIELD CUT TO MATCH ROOF SLOPE.

**\*\*CAUTION\*\***

UP TO @RDS ADDITIONAL LINEAR FEET (MEASURED HORIZONTALLY) OF PANELS MAY BE REMOVED FOR FIELD LOCATED FRAMED OPENINGS WITHOUT AFFECTING THE DIAPHRAGM STRENGTH OF THE ENDWALL PANELS.

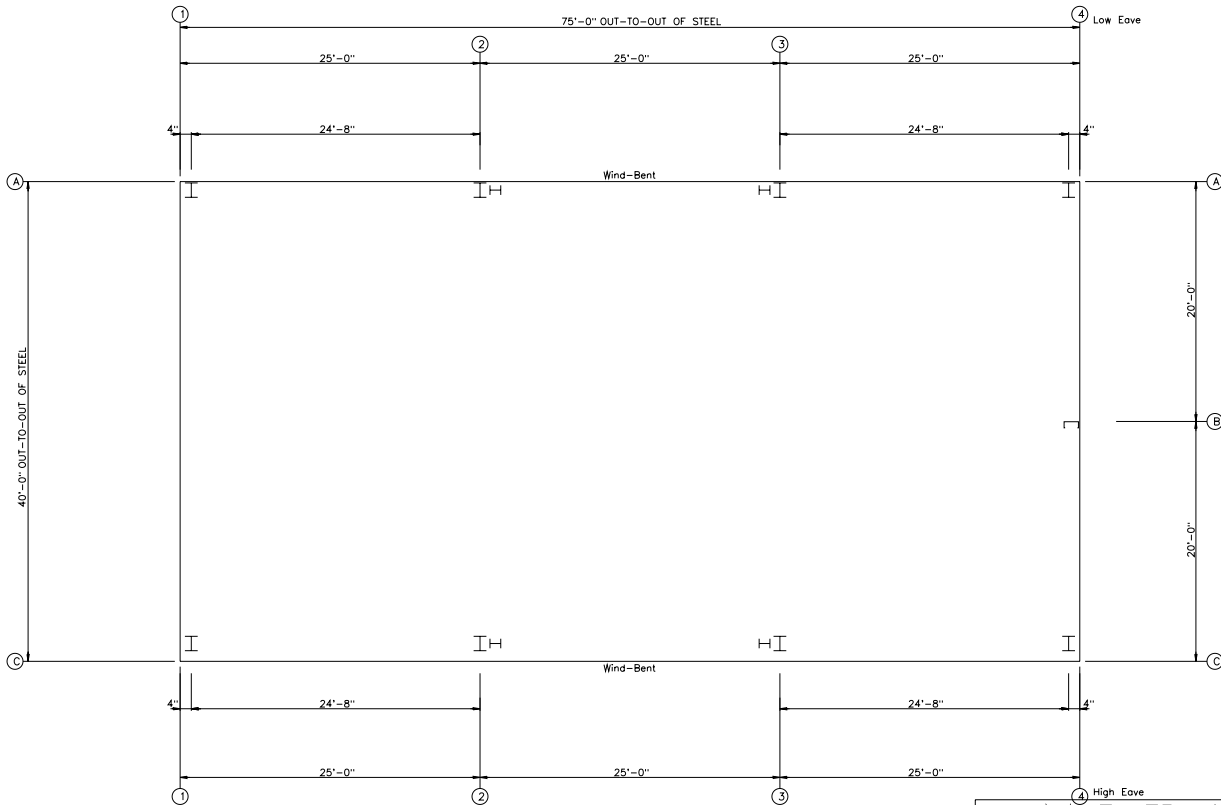
ALL ENDWALL COLUMNS AND JAMBS ARE DESIGNED AS "POSTS" AS DEFINED BY OSHA AND ARE NOT INTENDED TO BE CLIMBED ON UNTIL FULLY BRACED.

**MUELLER, INC.**  
 STEEL BUILDING SYSTEMS & COMPONENTS

1913 Hutchins Ave.      Ballinger, TX 76821  
 (800) 527-1087      (325) 365-8103 (Fax)

DESCRIPTION		ENDWALL FRAMING		#File
SIZE	40'-0" x 75'-0" x 16'-0" x 19'-4"			ROOF SLOPE 1:0.12
CUSTOMER Giron Builders, Inc.				
LOCATION Project Address 2				
DRW. BY	OK'D BY	DATE	SCALE	SALESMAN
ACT		4/19/24	NONE	Damon Morris
JOB NO.	SHEET NO.	REV.		
96067918_MBS	000000	0R		






FLOOR PLAN

Preliminary  
Not for Construction

**MUELLER, INC.**  
STEEL BUILDING SYSTEMS & COMPONENTS  
1913 Hutchins Ave. Ballinger, TX 76821  
(800) 527-1087 (325) 365-8103 (Fax)



DESCRIPTION		FLOOR PLAN		#File
SIZE	40'-0" x 75'-0" x 16'-0" x 19'-4"			ROOF SLOPE 1.0:12
CUSTOMER	Giron Builders, Inc.			
LOCATION	Project Address 2			
DATE	4/19/24	SCALE	NONE	SALESMAN Damon Morris
JOB NO.	96067918_MBS	SHEET NO.	000000	REV. BR