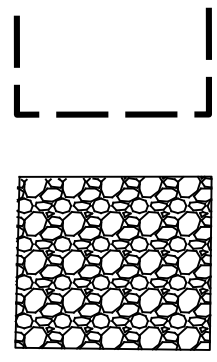
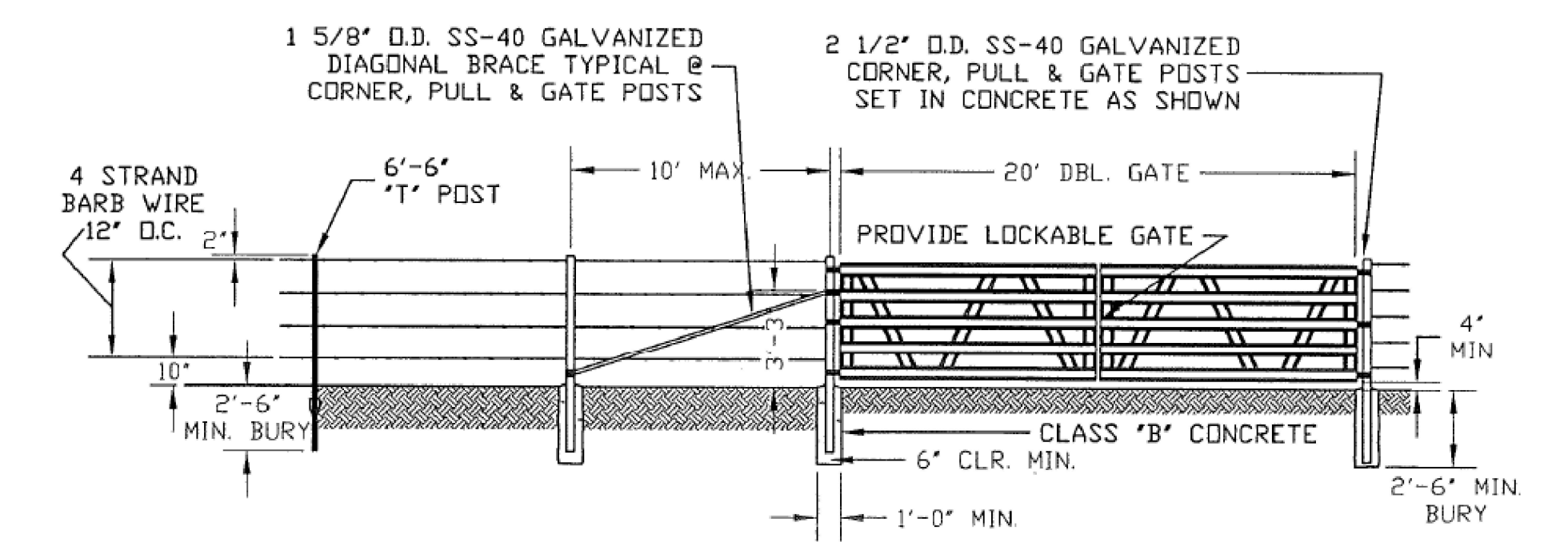


LEGEND:



ASPHALT RESTORATION LIMITS
GRAVEL PAVING LIMITS



BARB WIRE FENCE AND GATE DETAIL

NOT TO SCALE

BY	REVISION	DATE

GNE Designing our client's success
GarNat Engineering, LLC
 P.O. Box 116 (72018) Ph (501) 408-4650
 2909 Military Road Fx (888) 900-3068
 Benton, AR 72015 gmatengineering@gmail.com

HILLTOP RD AND SPRINGHILL RD
 INTERSECTION IMPROVEMENTS
 BRYANT, ARKANSAS



10-27-2019

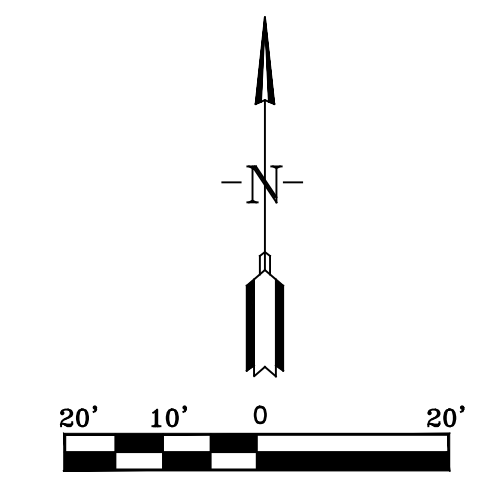
CONTENTS:
 SITE PLAN

PROJECT NO:
 19056

DATE:
 OCT 2019

SHEET NO:

C1.1



A:\Projects\2019 Projects\19056 Hilltop Rd Intersection Improvements\Drawings\19056_Springhill_Rd_and_Hilltop_Rd_Intersection_Improvements\19056_Springhill_Rd_and_Hilltop_Rd_Intersection_Improvements_Plan-19056.dwg